



**20 YEARS
OF EXCELLENCE
THROUGH EXPERIENCE**

**2023
OCTOBER**

PRODUCT CATALOGUE & PRICE LIST

www.iunlimited.co.za

**Pretoria Tel : 012 736 2121 / 2323 / 2526 / 2103
Cape Town Tel : 021 946 1194 / 4931 / 1803**



**Strictly
Trade
Only**

CONTACT DETAILS

PRETORIA HEAD OFFICE

TEL : 012 736 2121 / 2323 / 2526 / 2103

FAX : 012 736 2525

ADDRESS : Plot 56 Irrigation
Estate, R104
(Old Pretoria / Bronkhorstspuit Rd)
District Rayton, Pretoria

POSTAL : P.O. Box 770,
Rayton, 1001

GPS COÖRDINATES S -25° 789
E 28° 5029



When there is no answer at the office (due to faulty lines)
Please feel free to contact us on our direct lines.

TOBIE VAN DEN HEEVER
Managing Director
082 658 6054 tobie@iunlimited.co.za



JOHANN CALITZ
Key Accounts Manager
082 451 4744 johann@iunlimited.co.za

RYNO SERFONTEIN
Marketing Manager/Area Service Manager
(KZN/Gauteng)
079 777 9303 ryno@iunlimited.co.za

HEINRICH BOTHA
Area Service Manager
(Part Eastern/Northern Cape, Part North West & Free state)
072 463 5001 heinrich@iunlimited.co.za

NORMAN VAN HEERDEN
Area Service Manager
(Part North West, Limpopo & Mpumalanga)
082 872 5606 norman@iunlimited.co.za

JACO DYSON
Buyer
083 788 6362 jaco@iunlimited.co.za

CAPE TOWN BRANCH

TEL : 021 946 1194 / 4931 / 1803

FAX : 086 612 5676

ADDRESS : Unit 2, 3, 4 & 5, Coenru Business
Park, Coenru Street, Kaymor (Stikland),
Bellville

POSTAL : P.O. Box 770, Rayton, 1001

GPS COÖRDINATES S -33° 900
E 18° 665



Henko Cilliers
Branch Manager
071 303 8829 henko@iunlimited.co.za



Gert Coetzee
Area Service Manager/Irrigation Designer
082 440 2820 gert@iunlimited.co.za

LIMPOPO INDEPENDENT OUTLET



TEL : 015 293 1414 / 1072 or 083 633 6378
EMAIL : reception@ttagencies.co.za

ADDRESS : 19 Natrium Str,
Ladine, Polokwane, 0700

POSTAL : P.O.Box 4212
Polokwane, 0700

GPS COÖRDINATES -23° 53' 18.88"
+29° 26' 13.62"



**IRRIGATION
UNLIMITED**

ABOUT US

Irrigation Unlimited is a service orientated wholesaler that distributes products to the South African markets through a network of agents.

The company was established in 2003 as the marketing arm of Wahl Industries and is the sole distributor for Wahl, Sime, Vyrsa and Ocmis products for Sub-Saharan Africa.

Our aim is to continuously provide quality products to meet the demand of all our customers and the ever changing market. The strength of our supply time lies in our ability to supply at the right time, in the right quantities and at the right quality. We furthermore built long lasting relationships with customers to form a partnership to the benefit of all.



IMPORTANT INFO

IMPORTANT INFORMATION Pg. 6 - 7

USEFUL INFO

USEFUL INFORMATION Pg. 8 - 10

BUTTERFLY & WAFER VALVES

BUTTERFLY & WAFER VALVES Pg. 12

CAMLOCK FITTINGS

CAMLOCK FITTINGS Pg. 14 - 18

CLAMPS

WIRE CLAMPS..... Pg. 20

WORM DRIVE CLAMPS Pg. 21

STEEL BOLTED CLAMPS Pg. 22

COMPRESSION & SADDLES

COMPRESSION FITTINGS Pg. 24 - 29

SADDLES..... Pg. 30 - 31

FITTINGS FOR PVC PIPE

PIPE GEL Pg. 34

LM6 & CAST IRON FITTINGS Pg. 35 - 41

FABRICATED &

GREY MOULDED FITTINGS Pg. 42 - 48

FLANGES & JIS

RUBBER INSERTION RINGS Pg. 50

STEEL FLANGES..... Pg. 51 - 53

BUTTWELD (JIS) FITTINGS Pg. 54 - 58

MALLEABLE FITTINGS

KLEBOC SEALANT Pg. 60 - 61

GALVANISED FITTINGS Pg. 62 - 68

GALVANISED STAND PIPES..... Pg. 69

BLACK FITTINGS..... Pg. 70 - 74

STAINLESS STEEL FITTINGS Pg. 75 - 77

MULTI RANGE FITTINGS

MULTI RANGE FITTINGS..... Pg. 80 - 82

POLY PROP FITTINGS

PVC RISER PIPES Pg. 84

DRIP & MICRO FITTINGS Pg. 85

POLYPROP FITTINGS Pg. 86 - 92

VANLOCK FITTINGS Pg. 93 - 94

QUICK COUPLING FITTINGS

QUICK COUPLING PIPES.....	Pg. 96
PERROT	Pg. 97 - 100
BAUER	Pg. 101 - 103
LATCH	Pg. 104 - 106
ALL BLACK SYSTEM	Pg. 107 - 108
WAHL ABOVE GROUND	Pg. 109 - 111

QUICK COUPLING ACCESSORIES

HYDRANT & HYDRANT BENDS	Pg. 114 - 117
FOOT VALVES	Pg. 118 - 119
HYDROMATICS, PIPELETS & KEYS	Pg. 120
RISER PIPES, DRAGLINE STANDS & HOSE	Pg. 121
SADDLES & FOOT PIECES	Pg. 122
MISCELLANEOUS	Pg. 123 - 125

SIME GUNS

SIME GUNS	Pg. 128 - 145
-----------------	---------------

SOLVENT WELD

KLEBOC PVC WELD GLUE	Pg. 148
uPVC VALVES & FITTINGS	Pg. 149 - 157
uPVC THREADED FITTINGS	Pg. 158 - 159

TANK CONNECTORS

TANK CONNECTORS	Pg. 162 - 163
-----------------------	---------------

TRAVELLING IRRIGATORS

IU CRAWLER	Pg. 166
ROTRIX	Pg. 167 - 168
OCMIS	Pg. 169 - 173

VALVES & BRASS FITTINGS

GATE VALVES, NYLON & BRASS BALL VALVES	Pg. 176 - 177
NON RETURN, SCREENS & TAPS	Pg. 178 - 179
GEKA COUPLINGS & OTHER	Pg. 180 - 182
BRASS COMPRESSION & COPPER CAPILLARY.....	Pg. 183 - 185

VYRSA

VYRSA INFO	Pg. 188
AIR VALVES & REGULATORS	Pg. 189
VYRSA SPRINKLERS	Pg. 190 - 221
VYRSA ROTEC	Pg. 222 - 223
IR-JUNIOR	Pg. 224



BANK DETAILS

BANK : Standard Bank
ACCOUNT NO: 021 354 898
BRANCH : Castle Walk
BRANCH CODE: 015841



PLEASE NOTE :
Our banking details will not change unless telephonically confirmed by one of our key personnel.

TERMS AND CONDITIONS

ITEMS NOT ON PRICE LIST

- Will only be manufactured upon receipt of a drawing.
- These items CANNOT be returned for credit.
- Once production has started on these products the order **CANNOT** be cancelled.

ITEMS MARKED WITH*

- Items marked with an* are specially manufactured and cannot be returned for credit.
- Once production has started on these products the order **CANNOT** be cancelled.

RETURN OF GOODS

A 15% handling charge will be levied on all returns. Transport cost is also for the account of the sender.

RISK

The risk in the products to be sold by the company shall pass to the purchaser when the products are delivered to the purchaser, or received by the purchaser.

DATE OF PRICE LIST

- If the price list is older that 6 months you should enquire about the validity thereof.

PRICES EXCLUDE VAT AND DELIVERY

PLEASE NOTE **SETTLEMENT DISCOUNT**
To qualify for this, payment should reach us, or be in our account on the last working day of the month.

IMPORTANT

It is recommended and beneficial to review your quotation in detail, to ensure we have met all your requirements.

- * All prices exclude VAT.
- * E & OE (errors & omissions expected).
- * Lead Times are subject to change without prior notice due to material availability (But NOT limited to).
- * Please place your orders early to ensure timeous delivery.
- * EFT Payment should reflect and be cleared by our accounts department before any goods can be scheduled.

IMPORTANT NUMBERS


Registration Number: 2003/005763/23
VAT Registration Number: 4610204259
PAYE Reg: 7100746157
Import/Export: 20143250
UIF: U100746157
SWIFT Code: SBZAZAJJ

TRANSPORT POLICY AND OPTIONS


- 1 If the value of the order is **ABOVE** R6000 (Nett exclusive) we will dispatch with our own courier **on our cost** to any town in the RSA.
- 2 If the value of the order is **LESS THAN** R6000 (Nett exclusive) we can dispatch it with our own courier at a cost of R250 (exclusive) to any town in the RSA.
- 3 **This policy is not applicable to the transport of 3m, 6m pipes, dragline stands and irrigators. Transport of this is to be negotiated upon placement of order.**
- 4 If you return goods for reason not due to our fault we will deduct the original transport charges as well as handling charges from the credit.
- 5 Goods will be dispatched by economy class only.
- 6 **Orders should reach us before 11h00 on a specific day for dispatch by our own couriers on that day. The same cut-off time applies to deliveries.**
- 7 **Orders for delivery should reach us before 10h00 to be dispatched on route schedule.**
- 8 **We cannot ensure orders will be dispatched the same day when placed after 11h00, even if there is an existing order placed before 11h00.**
- 9 We reserve the right to automatically add the courier cost to the invoice.
- 10 Please allow **3 hours** after order is placed for other couriers to collect.


ADVANTAGES TO YOU

1. Daily dispatches
2. You know exactly what your transport cost is. **(R250 or free)**
3. Deliveries by our own couriers will be within 72 hours to any town in the RSA. (Dedicated weekly deliveries do not apply)



NOZZLE SIZES – CONVERSION TABLE (ONLY APPLICABLE TO 20mm SPRINKLERS)

INCH	MM	NYLON COLOUR	INCH	MM	NYLON COLOUR	INCH	MM	NYLON COLOUR
1/16	1.6	N/A	3/16	4.8	RED	3/8	9.6	N/A
5/64	2.0	N/A	13/64	5.2	WHITE	7/16	11.0	N/A
3/32	2.4	PINK	7/32	5.6	BLUE	15/32	12.0	N/A
7/64	2.8	N/A	15/64	6.0	N/A	<p>NOTE: Every 1/64 inch = 0,4mm (by nearest 0,01)</p>		
1/8R	3.2	PURPLE	1/4	6.4	N/A			
1/8SP	3.2	YELLOW SMALL	9/32	7.0	N/A			
9/64	3.6	GREY	19/64	7.6	N/A			
5/32	4.0	TURQUOISE	5/16	8.0	N/A			
11/64	4.4	YELLOW						

PIPES PER CONTAINER (PIPE LENGTHS SHOULD BE 5.8m)

DIAMETER	6M CONTAINER (20 FEET)	12M CONTAINER (40FEET)
50	825	1650
70	550	1100
89	370	750
108	260	530
159	135	270

BSP TO METRIC (mm) COVERSION TABLE

BSP	METRIC
¼"	8mm
⅜"	10mm
½"	15mm
¾"	20mm
1"	25mm
1¼"	32mm
1½"	40mm
2"	50mm
2½"	65mm

BSP	METRIC
3"	80mm
4"	100mm
5"	125mm
6"	150mm
8"	200mm
10"	250mm
12"	300mm
14"	350mm
16"	400mm



FRICION LOSS EXPRESSED AS PERCENTAGE OF LENGTH

PIPE SIZE	FLOW IN M ³ PER HOUR																									
	3	4	5	6	7	8	9	10	11	12	13	14	15	16	17	18	19	20	21	22	23	24	25	26		
40	2.2	3.3	5.4	7.8	10.0	13.5																				
50	0.6	1.0	1.6	2.2	3.0	3.8	4.7	5.7	6.8	8.0	9.3	11.0	12.0													
70					0.6	0.7	1.0	1.2	1.4	1.6	1.9	2.2	2.4	2.7	3.0	3.4	3.8	4.2	4.5	5.0	5.4	5.8	6.2	6.7		
76								0.9	0.8	1.0	1.2	1.4	1.6	1.8	1.9	2.2	2.4	2.6	2.9	3.2	3.4	3.7	4.0	4.6		
89													0.7	0.8	0.9	1.0	1.1	1.2	1.3	1.4	1.6	1.7	1.8	2.0		
102																				0.6	0.7	0.8	0.8	0.9		
108																				0.6	0.6	0.7	0.7			
mm	27	28	29	30	31	32	33	34	35	36	37	38	40	42	44	46	48	50	53	55	58	60	65	70		
70	7.2	7.8	8.3	8.9	9.4	10.0	11.0																			
76	4.3	4.9	5.2	5.6	6.0	6.3	6.7	7.0	7.4	7.8	8.2	8.7	9.5	10.0	11.0	12.0										
89	2.1	2.3	2.4	2.6	2.7	2.9	3.1	3.2	3.4	3.6	3.8	4.0	4.4	4.8	5.2	5.7	6.1	6.6	7.4	7.8	8.8	9.3	11.0	12.0		
102	1.0	1.1	1.1	1.2	1.2	1.3	1.4	1.5	1.6	1.7	1.8	1.9	2.0	2.2	2.4	2.6	2.9	3.1	3.4	3.7	4.1	4.4	5.0	5.8		
108	0.8	0.9	0.9	1.0	1.0	1.1	1.2	1.2	1.3	1.4	1.5	1.6	1.7	1.85	2.0	2.2	2.4	2.6	2.9	3.1	3.4	3.6	4.2	4.8		
127													0.77	0.84	0.9	1.0	1.1	1.17	1.3	1.4	1.5	1.6	1.9	2.2		
152																										
159																							0.7	0.8	0.9	
mm	75	80	85	90	95	100	110	120	130	140	150	160	170	180	190	200	220	240	260	280	300	320	350	375		
102	6.5	7.4	8.0	9.2	10.0	11.0																				
108	5.4	6.1	6.9	7.6	8.5	9.4	11.2	13																		
127	2.5	2.8	3.2	3.5	3.9	4.3	5.1	6.0	7.0	8.0	9.0	10.0	11.0	13.0												
152	1.0	1.2	1.3	1.5	1.6	1.7	2.1	2.5	2.8	3.3	3.7	4.2	4.3	5.2	5.8	6.3	7.5	8.8	11.0	12.0	13.0					
159	0.8	0.9	1.0	1.2	1.3	1.4	1.8	2.0	2.3	2.6	3.0	3.4	3.7	4.2	4.6	5.1	6.0	7.1	8.3	9.5	11.0	12.0	14.0	16.0		
194										0.8	1.0	1.1	1.2	1.3	1.5	1.7	2.0	2.3	2.6	3.0	3.4	3.8	4.5	5.2		

MAXIMUM SPRINKLER LINE LENGTH FOR GIVEN PIPE SIZE, NOZZLE, NOZZLE PRESSURE AND 20% PRESSURE LOSS

PRECIPITATION RATE (MM/HR) ON INDICATED SPACING												
Spacing 12x12m	6	7.5	9	10.5	12	13.5	15	16.5	18	19.5	21	
Spacing 12x18m	4	5	6	7	8	9	10	11	12	13	14	
Capacity m ³ /hr	0.86	1.07	1.30	1.51	1.72	1.94	2.16	2.38	2.60	2.80	3.00	
Nozzle size	9/64	5/32	9/64x3/32	5/32x3/32	11/64x3/32	3/16x3/32	3/16x1/8	3/16x1/8	13/64x1/8	7/32x1/8	7/32x1/8	
Pressure kPa	300	310	320	320	320	310	280	340	320	300	360	
PIPE SIZE	MAXIMUM LENGTH (IN M) OF SPRINKLER LINE FOR INDICATION PIPE SIZE											
40	120	96	84	72	72	60	48	-	-	-	-	-
50	168	144	132	120	108	96	84	84	72	72	72	72
70	324	276	252	228	204	192	168	168	156	144	144	144
76	384	336	300	276	252	228	204	204	180	168	168	168
89	516	444	396	360	336	300	264	264	252	228	228	228
102	660	576	516	468	432	396	348	348	324	300	300	300
108	732	636	564	504	468	420	384	384	348	324	324	324
PRECIPITATION RATE (MM/HR) ON INDICATED SPACING												
Spacing 18 x 18m	5	6	7	8	9	10	11	12	14			
Capacity m ³ /hr	1.62	1.94	2.27	2.59	2.92	3.24	3.56	3.89	4.53			
Nozzle size	5/32x3/32	3/16x3/32	3/16x1/8	13/16x1/8	7/32x1/8	15/64x1/8	1/4x1/8	1/4x1/8	9/32x1/8			
Pressure kPa	380	310	310	320	320	350	320	390	360			
PIPE SIZE	MAXIMUM LENGTH (IN M) OF SPRINKLER LINE FOR INDICATION PIPE SIZE											
40	72	60	48	-	-	-	-	-	-	-	-	-
50	162	126	108	108	90	90	90	72	72			
70	228	252	216	198	180	180	162	162	144			
76	360	288	270	234	216	216	180	198	162			
89	486	396	360	324	288	288	252	252	234			
102	612	504	468	414	378	378	342	342	288			
108	666	558	504	450	414	396	360	378	324			

Example: for friction loss in mainline (first table).

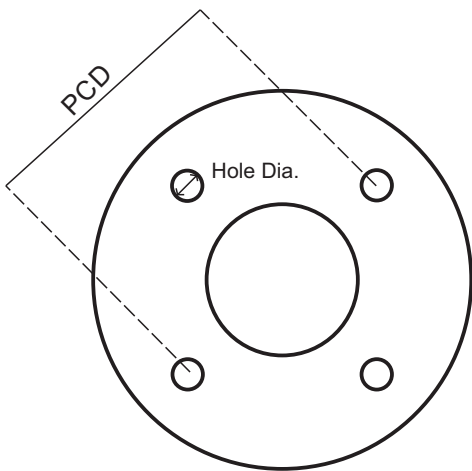
- **Required to know:**
Friction loss in 108mm pipe for 40m³/h flow?
Go to 40 as circled above then go to line marked 108 and horizontally to 1.7 circled i.e. for 100m of 108mm pipe the friction loss is 1.7m

- **Required to know:**
What pipe size to use if 17 sprinklers are used on 12m spacing at 1.51m³ each?
Look under capacity 1.51m³/h down to pipe size 70mm and read 228 which is longer than 17 x 12 = 204 therefore 70mm pipe is recommended

FLANGE DRILLING

	TABLE D			TABLE 10			TABLE 16		
	No. of holes	Hole dia.	P.C.D.	No. of holes.	Hole dia.	P.C.D.	No. of holes	Hole dia.	P.C.D.
15mm	4	14	67	4	14	65	4	14	65
20mm	4	14	73	4	14	75	4	14	75
25mm	4	14	83	4	14	85	4	14	85
32mm	4	14	87	4	18	100	4	18	100
40mm	4	14	99	4	18	110	4	18	110
50mm	4	17	114	4	18	125	4	18	125
65mm	4	17	127	4	18	145	4	18	145
80mm	4	17	146	8	18	160	8	18	160
100mm	4	17	178	8	18	180	8	18	180
125mm	8	17	210	8	18	210	8	18	210
150mm	8	17	235	8	22	240	8	22	240
200mm	8	17	292	8	22	295	12	22	295
250mm	8	22	356	12	22	350	12	26	355
300mm	12	22	406	12	22	400	12	26	410

HOW TO MEASURE FLANGE PCD



BUTTERFLY & WAFER VALVES

BUTTERFLY & WAFER VALVES Pg. 12

VENICE

BUTTERFLY VALVE WITH DI DISC

(TD & T16)



Max Working Pressure 16 BAR

CODE	SIZE	PRICE
ABFV050-16	50mm	R629.00
ABFV065-16	65mm	R728.00
ABFV080-16	80mm	R859.71
ABFV100-16	100mm	R1 177.55
ABFV125-16	125mm	R1 533.70
ABFV150-16	150mm	R1 742.21
ABFV200-16	200mm	R2 858.18
ABFV250-16	250mm	R4 174.52
ABFV300-16	300mm	R5 909.19

BUTTERFLY VALVE WITH SS 316 DISC

(TD & T16)

Fabricated as per ISO 9001 and can be utilized for Domestic and Commercial pipes, mechanical applications, rural prerequisites and warming, sterile, pneumatic frameworks, waterworks, high temp water administrations, condensate lines is appropriate with each non-forceful liquid.

Max Working Pressure 16 BAR

CODE	SIZE	PRICE
ABFV050-16SS	50mm	R792.12
ABFV065-16SS	65mm	R933.00
ABFV080-16SS	80mm	R1 126.87
ABFV100-16SS	100mm	R1 688.78
ABFV125-16SS	125mm	R2 360.66
ABFV150-16SS	150mm	R3 094.90
ABFV200-16SS	200mm	R4 954.50
ABFV250-16SS	250mm	R8 495.00
ABFV300-16SS	300mm	R12 334.38

BUTTERFLY VALVE GEARBOX



Gearbox for butterfly valve above

CODE	SIZE	PRICE
ABFVG050-080	50-80mm	R722.23
ABFVG100	100mm	R722.23
ABFVG125-150	125-150mm	R722.23
ABFVG200	200mm	R1 237.69
ABFVG250	250mm	R1 237.69
ABFVG300	300mm	R1 473.21

WAFER CHECK VALVE WITH DI DISC

(Double Door Non Return)

(TD & T16)



Max Working Pressure 16 BAR

CODE	SIZE	PRICE
AWCV050-16	50mm	R504.39
AWCV065-16	65mm	R646.88
AWCV080-16	80mm	R776.93
AWCV100-16	100mm	R1 107.96
AWCV125-16	125mm	R1 388.57
AWCV150-16	150mm	R1 931.37
AWCV200-16	200mm	R3 055.73
AWCV250-16	250mm	R4 698.97
AWCV300-16	300mm	R6 506.75

WAFER CHECK VALVE WITH SS 316 DISC

Max Working Pressure 16 BAR

CODE	SIZE	PRICE
AWCV050-16SS	50mm	R618.00
AWCV065-16SS	65mm	R705.99
AWCV080-16SS	80mm	R975.21
AWCV100-16SS	100mm	R1 435.00
AWCV125-16SS	125mm	R1 824.10
AWCV150-16SS	150mm	R2 689.17
AWCV200-16SS	200mm	R4 648.54
AWCV250-16SS	250mm	R7 581.89
AWCV300-16SS	300mm	R11 108.59



**IRRIGATION
UNLIMITED**

CAMLOCK FITTINGS

CAMLOCK FITTINGS Pg. 14 - 18





POLYPROP

TYPE A - MALE ADAPTOR X FEMALE BSP

Temperature rating:-18°C - 66°C
Suitable Application :
- Marine
- Industrial
- Agricultural
- Irrigation



20mm - 50mm (8 BAR)
65mm - 100mm (5 BAR)

CODE	SIZE	BOX QTY	PRICE
TA015P	15mm	488	R13.48
TA020P	20mm	240	R14.17
TA025P	25mm	300	R15.54
TA032P	32mm	252	R24.64
TA040P	40mm	185	R25.10
TA050P	50mm	120	R39.63
TA065P	65mm	60	R58.17
TA080P	80mm	50	R61.60
TA100P	100mm	24	R124.91

TYPE B - FEMALE COUPLER X MALE BSP

Temperature rating:-18°C - 66°C
Suitable Application :
- Marine
- Industrial
- Agricultural
- Irrigation



20mm - 50mm (8 BAR)
65mm - 100mm (5 BAR)

CODE	SIZE	BOX QTY	PRICE
TB015P	15mm	145	R66.52
TB020P	20mm	120	R67.73
TB025P	25mm	80	R74.73
TB032P	32mm	160	R114.99
TB040P	40mm	130	R116.00
TB050P	50mm	80	R123.56
TB065P	65mm	64	R184.83
TB080P	80mm	48	R190.10
TB100P	100mm	20	R369.69

TYPE C - FEMALE COUPLER X HOSE TAIL

Temperature rating:-18°C - 66°C
Suitable Application :
- Marine
- Industrial
- Agricultural
- Irrigation



20mm - 50mm (8 BAR)
65mm - 100mm (5 BAR)

CODE	SIZE	BOX QTY	PRICE
TC015P	15mm	120	R68.10
TC020P	20mm	100	R69.54
TC025P	25mm	200	R75.10
TC032P	32mm	120	R118.81
TC040P	40mm	100	R122.00
TC050P	50mm	65	R144.49
TC065P	65mm	48	R199.91
TC080P	80mm	30	R207.76
TC100P	100mm	12	R419.90

TYPE D - FEMALE COUPLER X FEMALE BSP

Temperature rating:-18°C - 66°C
Suitable Application :
- Marine
- Industrial
- Agricultural
- Irrigation



20mm - 50mm (8 BAR)
65mm - 100mm (5 BAR)

CODE	SIZE	BOX QTY	PRICE
TD015P	15mm	150	R68.14
TD020P	20mm	120	R69.26
TD025P	25mm	200	R75.10
TD032P	32mm	224	R113.15
TD040P	40mm	100	R120.43
TD050P	50mm	80	R137.90
TD065P	65mm	48	R195.10
TD080P	80mm	36	R199.75
TD100P	100mm	21	R396.80

TYPE E - MALE ADAPTOR X HOSE TAIL

Temperature rating:-18°C - 66°C
Suitable Application :
- Marine
- Industrial
- Agricultural
- Irrigation



20mm - 50mm (8 BAR)
65mm - 100mm (5 BAR)

CODE	SIZE	BOX QTY	PRICE
TE015P	15mm	468	R13.48
TE020P	20mm	550	R14.14
TE025P	25mm	144	R17.74
TE032P	32mm	224	R26.94
TE040P	40mm	168	R29.40
TE050P	50mm	90	R50.45
TE065P	65mm	50	R81.10
TE080P	80mm	40	R83.96
TE100P	100mm	15	R227.68

TYPE F - MALE ADAPTOR X MALE BSP

Temperature rating:-18°C - 66°C
Suitable Application :
- Marine
- Industrial
- Agricultural
- Irrigation



20mm - 50mm (8 BAR)
65mm - 100mm (5 BAR)

CODE	SIZE	BOX QTY	PRICE
TF015P	15mm	470	R12.30
TF020P	20mm	240	R13.13
TF025P	25mm	140	R16.40
TF032P	32mm	210	R25.57
TF040P	40mm	160	R27.10
TF050P	50mm	90	R46.63
TF065P	65mm	60	R68.96
TF080P	80mm	40	R72.70
TF100P	100mm	20	R225.15

TYPE DC - FEMALE END CAP

Temperature rating:-18°C - 66°C
Suitable Application :
- Marine
- Industrial
- Agricultural
- Irrigation



20mm - 50mm (8 BAR)
65mm - 100mm (5 BAR)

CODE	SIZE	BOX QTY	PRICE
TDC015P	15mm	160	R61.30
TDC020P	20mm	130	R63.14
TDC025P	25mm	120	R80.77
TDC032P	32mm	180	R131.96
TDC040P	40mm	125	R136.52
TDC050P	50mm	100	R148.72
TDC065P	65mm	72	R199.50
TDC080P	80mm	50	R205.21
TDC100P	100mm	30	R399.60

TYPE DP - MALE END PLUG

Temperature rating:-18°C - 66°C
Suitable Application :
- Marine
- Industrial
- Agricultural
- Irrigation



20mm - 50mm (8 BAR)
65mm - 100mm (5 BAR)

CODE	SIZE	BOX QTY	PRICE
TDP015P	15mm	880	R9.10
TDP020P	20mm	450	R9.75
TDP025P	25mm	200	R11.43
TDP032P	32mm	378	R18.70
TDP040P	40mm	288	R20.46
TDP050P	50mm	175	R25.98
TDP065P	65mm	120	R55.42
TDP080P	80mm	80	R57.48
TDP100P	100mm	50	R120.37

ALUMINIUM

TYPE A - MALE ADAPTOR X FEMALE BSP

Temperature rating:-18°C - 66°C
Suitable Application :
- Marine
- Industrial
- Agricultural
- Irrigation



20mm - 65mm (10 BAR)
80mm (8 BAR)
100mm (6 BAR)

CODE	SIZE	BOX QTY	PRICE
TA015A	15mm	150	R22.82
TA020A	20mm	140	R32.71
TA025A	25mm	100	R38.92
TA032A	32mm	60	R53.69
TA040A	40mm	120	R63.61
TA050A	50mm	100	R74.10
TA065A	65mm	60	R132.27
TA080A	80mm	48	R140.00
TA100A	100mm	36	R201.00

TYPE B - FEMALE COUPLER X MALE BSP

Temperature rating:-18°C - 66°C
Suitable Application :
- Marine
- Industrial
- Agricultural
- Irrigation



20mm - 65mm (10 BAR)
80mm (8 BAR)
100mm (6 BAR)

CODE	SIZE	BOX QTY	PRICE
TB015A	15mm	100	R78.99
TB020A	20mm	60	R87.17
TB025A	25mm	120	R107.99
TB032A	32mm	75	R158.58
TB040A	40mm	60	R166.54
TB050A	50mm	60	R184.78
TB065A	65mm	36	R232.54
TB080A	80mm	30	R335.22
TB100A	100mm	18	R448.13

TYPE C - FEMALE COUPLER X HOSE TAIL

Temperature rating:-18°C - 66°C
Suitable Application :
- Marine
- Industrial
- Agricultural
- Irrigation



20mm - 65mm (10 BAR)
80mm (8 BAR)
100mm (6 BAR)

CODE	SIZE	BOX QTY	PRICE
TC015A	15mm	100	R69.35
TC020A	20mm	50	R87.31
TC025A	25mm	100	R111.92
TC032A	32mm	65	R160.50
TC040A	40mm	50	R180.19
TC050A	50mm	48	R213.28
TC065A	65mm	36	R260.91
TC080A	80mm	24	R389.91
TC100A	100mm	12	R499.65

TYPE D - FEMALE COUPLER X FEMALE BSP

Temperature rating:-18°C - 66°C
Suitable Application :
- Marine
- Industrial
- Agricultural
- Irrigation



20mm - 65mm (10 BAR)
80mm (8 BAR)
100mm (6 BAR)

CODE	SIZE	BOX QTY	PRICE
TD015A	15mm	100	R65.72
TD020A	20mm	60	R88.68
TD025A	25mm	120	R111.48
TD032A	32mm	75	R162.15
TD040A	40mm	60	R177.91
TD050A	50mm	60	R191.97
TD065A	65mm	36	R236.16
TD080A	80mm	30	R345.99
TD100A	100mm	18	R479.58



ALUMINIUM

TYPE E - MALE ADAPTOR X HOSE TAIL

Temperature rating:-18°C - 66°C
Suitable Application :
- Marine
- Industrial
- Agricultural
- Irrigation



20mm - 65mm (10 BAR)
80mm (8 BAR)
100mm (6 BAR)

CODE	SIZE	BOX QTY	PRICE
TE015A	15mm	100	R23.10
TE020A	20mm	100	R35.15
TE025A	25mm	80	R46.36
TE032A	32mm	100	R64.10
TE040A	40mm	60	R82.12
TE050A	50mm	60	R110.10
TE065A	65mm	48	R191.10
TE080A	80mm	30	R208.56
TE100A	100mm	15	R327.23

TYPE F - MALE ADAPTOR X MALE BSP

Temperature rating:-18°C - 66°C
Suitable Application :
- Marine
- Industrial
- Agricultural
- Irrigation



20mm - 65mm (10 BAR)
80mm (8 BAR)
100mm (6 BAR)

CODE	SIZE	BOX QTY	PRICE
TF015A	15mm	100	R28.23
TF020A	20mm	100	R41.91
TF025A	25mm	75	R49.96
TF032A	32mm	100	R73.38
TF040A	40mm	90	R86.48
TF050A	50mm	75	R110.13
TF065A	65mm	48	R180.30
TF080A	80mm	36	R192.52
TF100A	100mm	24	R310.53

TYPE DC - FEMALE END CAP

Temperature rating:-18°C - 66°C
Suitable Application :
- Marine
- Industrial
- Agricultural
- Irrigation



20mm - 65mm (10 BAR)
80mm (8 BAR)
100mm (6 BAR)

CODE	SIZE	BOX QTY	PRICE
TDC015A	15mm	100	R82.42
TDC020A	20mm	60	R94.37
TDC025A	25mm	140	R119.25
TDC032A	32mm	75	R182.88
TDC040A	40mm	60	R186.51
TDC050A	50mm	60	R211.10
TDC065A	65mm	36	R250.55
TDC080A	80mm	32	R355.69
TDC100A	100mm	20	R470.51

TYPE DP - MALE END PLUG

Temperature rating:-18°C - 66°C
Suitable Application :
- Marine
- Industrial
- Agricultural
- Irrigation



20mm - 65mm (10 BAR)
80mm (8 BAR)
100mm (6 BAR)

CODE	SIZE	BOX QTY	PRICE
TDP015A	15mm	100	R22.80
TDP020A	20mm	150	R30.92
TDP025A	25mm	100	R39.69
TDP032A	32mm	60	R59.49
TDP040A	40mm	140	R66.74
TDP050A	50mm	100	R97.17
TDP065A	65mm	60	R134.10
TDP080A	80mm	60	R136.25
TDP100A	100mm	36	R207.00

RUBBER ONLY

CAMLOCK RUBBER ONLY

CODE	SIZE	PRICE
TCR015	15mm	R4.00
TCR020	20mm	R4.19
TCR025	25mm	R4.33
TCR032	32mm	R5.77
TCR040	40mm	R7.56
TCR050	50mm	R8.88
TCR065	65mm	R11.41
TCR080	80mm	R13.91
TCR100	100mm	R21.98





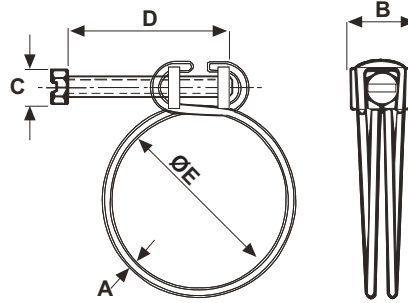
**IRRIGATION
UNLIMITED**

CLAMPS

WIRE CLAMPS..... Pg. 20
WORM DRIVE CLAMPS Pg. 21
STEEL BOLTED CLAMPS Pg. 22



WIRE CLAMPS



**One will require the pipes
outside diameter to select
clamp size**

The rings & components are zinc
electroplated to S.A.B.S. 814, 1974

PLEASE NOTE :
Only BOX QUANTITIES
will be invoiced (10 per box)
Price is per unit and not per pack

CODE	SIZE - ØE(mm) (MIN x MAX)	FASTENER SIZE	A	B	C	D	BOX QTY	PRICE/EACH
WB10-12	10.5mm x 12mm	M3	1.5	11.0	5.5	25.0	10	R8.13
WB12-13	12mm x 13mm	M3	1.5	11.0	5.5	25.0	10	R8.00
WB13-14	13mm x 14mm	M3	1.5	11.0	5.5	25.0	10	R8.00
WB14-15	14mm x 15mm	M3	1.5	11.0	5.5	25.0	10	R8.07
WB15-16	15mm x 16mm	M3	1.8	11.0	5.5	25.0	10	R8.10
WB16-17	16mm x 17mm	M3	1.8	11.0	5.5	25.0	10	R8.10
WB17-18	17mm x 18mm	M3	1.8	11.0	5.5	25.0	10	R8.10
WB18-19	18mm x 19mm	M3	1.8	11.0	5.5	25.0	10	R8.13
WB19-20	19mm x 20mm	M3	1.8	11.0	5.5	25.0	10	R8.13
WB20-21	20mm x 21mm	M3	1.8	11.0	5.5	25.0	10	R8.13
WB21-22	21mm x 22mm	M4	2.0	14.0	7.0	30.0	10	R8.32
WB22-23	22mm x 23mm	M4	2.0	14.0	7.0	30.0	10	R8.35
WB23-25	23mm x 25mm	M4	2.2	14.0	7.0	30.0	10	R8.38
WB25-27	25mm x 27mm	M4	2.2	14.0	7.0	30.0	10	R8.46
WB26-29	26mm x 29mm	M4	2.2	14.0	7.0	30.0	10	R8.96
WB28-31	28mm x 31mm	M4	2.2	14.0	7.0	30.0	10	R9.10
WB30-33	30mm x 33mm	M4	2.2	14.0	7.0	30.0	10	R9.10
WB32-35	32mm x 35mm	M4	2.2	14.0	7.0	30.0	10	R9.13
WB34-37	34mm x 37mm	M4	2.2	14.0	7.0	30.0	10	R9.32
WB36-40	36mm x 40mm	M4	2.2	14.0	7.0	30.0	10	R9.35
WB39-43	39mm x 43mm	M4	2.2	14.0	7.0	30.0	10	R11.53
WB42-46	42mm x 46mm	M5	2.5	15.0	8.0	40.0	10	R11.56
WB45-49	45mm x 49mm	M5	2.5	15.0	8.0	40.0	10	R15.60
WB46-51	46mm x 51mm	M5	2.5	15.0	8.0	40.0	10	R15.65
WB48-53	48mm x 53mm	M5	2.5	15.0	8.0	40.0	10	R16.54
WB52-56	52mm x 56mm	M5	2.5	15.0	8.0	40.0	10	R18.25
WB55-60	55mm x 60mm	M5	2.5	15.0	8.0	40.0	10	R18.75
WB59-64	59mm x 64mm	M5	2.5	15.0	8.0	40.0	10	R27.10
WB70-75	70mm x 75mm	M5	2.5	15.0	8.0	40.0	10	R28.29
WB95-100	95mm x 100mm	M5	2.5	15.0	8.0	40.0	10	R30.22



PLEASE NOTE :
Only BOX QUANTITIES
will be invoiced (10 per box)
Price is per unit and not per pack

**COMPOSITE CLAMP
WITH 203 SS BAND**

Bandwidth: 12.5mm
Band Thickness: 0.7mm
Material: 203 Stainless Steel
Screw / Housing: Zinc Plated

CODE	SIZE	BOX QTY	PRICE/EACH
CLAMP-G2	8mm - 12mm	10	R4.23
CLAMP-G4	7mm - 17mm	10	R4.44
CLAMP-G6	10mm - 22mm	10	R4.62
CLAMP-G8	14mm - 27mm	10	R8.33
CLAMP-G12	14mm - 32mm	10	R8.67
CLAMP-G16	17mm - 38mm	10	R9.10
CLAMP-G20	19mm - 44mm	10	R9.90
CLAMP-G24	25mm - 51mm	10	R10.25
CLAMP-G28	32mm - 57mm	10	R11.27
CLAMP-G32	38mm - 63mm	10	R11.61
CLAMP-G36	44mm - 70mm	10	R12.00
CLAMP-G40	51mm - 76mm	10	R12.56
CLAMP-G44	57mm - 82mm	10	R13.56
CLAMP-G48	63mm - 89mm	10	R13.92
CLAMP-G52	71mm - 95mm	10	R14.26
CLAMP-G56	78mm - 102mm	10	R15.00
CLAMP-G72	105mm - 127mm	10	R16.89

**FULL STAINLESS STEEL
CLAMP WITH 301 SS BAND**

Bandwidth: 12.5mm
Band Thickness: 0.7mm
Material: 301 Stainless Steel
Screw / Housing: 301 Stainless steel

CODE	SIZE	BOX QTY	PRICE/EACH
CLAMP-G4SS	7-17mm	10	R6.80
CLAMP-G6SS	10-22mm	10	R13.92
CLAMP-G8SS	14-27mm	10	R14.45
CLAMP-G12SS	14-32mm	10	R15.00
CLAMP-G16SS	17-38mm	10	R15.53
CLAMP-G20SS	19-44mm	10	R16.68
CLAMP-G24SS	25-51mm	10	R17.44
CLAMP-G28SS	32-57mm	10	R18.60
CLAMP-G32SS	38-63mm	10	R19.33
CLAMP-G36SS	44-70mm	10	R19.75
CLAMP-G40SS	51-76mm	10	R20.46
CLAMP-G44SS	57-82mm	10	R21.83
CLAMP-G48SS	63-89mm	10	R22.43



CLAMPS



A SERIES

Light Duty Clamps
19mm x 1.0mm Band
6mm set screw and nut

B SERIES

Medium Duty Clamps
25mm x 1.0mm Band
8mm set screw and nut

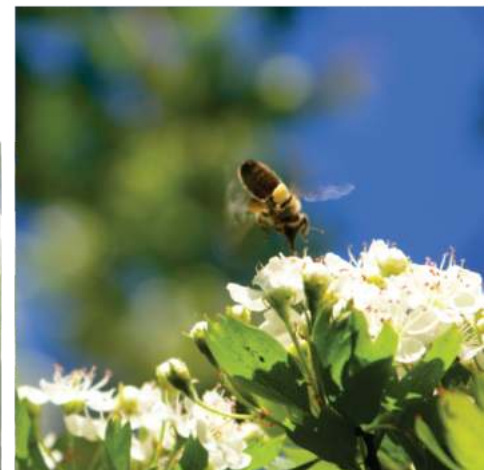
C SERIES

Heavy Duty Clamps
32mm x 1.6mm Band
12mm set screw and nut

CODE	PRICE
CLAMP-A23-27	R16.95
CLAMP-A26-29	R18.75
CLAMP-A29-34	R18.89
CLAMP-A31-36	R19.83
CLAMP-A33-38	R19.85
CLAMP-A37-42	R19.88
CLAMP-A41-46	R19.91
CLAMP-A45-50	R19.94
CLAMP-A49-55	R19.97
CLAMP-A54-61	R20.00
CLAMP-A60-67	R22.18
CLAMP-A65-72	R22.23
CLAMP-A71-78	R23.00
CLAMP-A77-84	R23.73
CLAMP-A82-89	R23.92
CLAMP-A88-95	R25.22

CODE	PRICE
CLAMP-B30-34	R24.25
CLAMP-B34-38	R24.53
CLAMP-B37-41	R25.00
CLAMP-B40-45	R25.11
CLAMP-B43-48	R25.58
CLAMP-B46-52	R26.10
CLAMP-B48-54	R27.40
CLAMP-B54-62	R30.10
CLAMP-B58-66	R30.53
CLAMP-B62-70	R36.81
CLAMP-B66-74	R37.50
CLAMP-B70-78	R37.72
CLAMP-B74-82	R37.91
CLAMP-B78-86	R38.13
CLAMP-B82-90	R40.15
CLAMP-B86-94	R40.43
CLAMP-B90-98	R41.76
CLAMP-B94-102	R42.50
CLAMP-B102-110	R43.11
CLAMP-B110-118	R45.79
CLAMP-B118-126	R46.71

CODE	PRICE
CLAMP-C82-96	R72.28
CLAMP-C88-102	R73.61
CLAMP-C94-108	R76.76
CLAMP-C106-120	R77.21
CLAMP-C112-126	R78.56
CLAMP-C118-132	R79.47
CLAMP-C130-144	R80.39
CLAMP-C142-156	R84.84
CLAMP-C154-168	R86.17
CLAMP-C160-174	R87.13
CLAMP-C166-180	R95.62
CLAMP-C178-192	R97.30
CLAMP-C190-204	R97.10
CLAMP-C202-216	R99.50
CLAMP-C214-228	R101.43
CLAMP-C226-240	R103.28
CLAMP-C238-252	R107.76
CLAMP-C250-264	R112.27





COMPRESSION & SADDLES

COMPRESSION FITTINGS Pg. 24 - 29
SADDLES..... Pg. 30 - 31





GOLD MEDAL

COUPLING



Temperature rating: 0°C - 45°C
Working Pressure 16 BAR

CODE	SIZE	BOX QTY	PACK QTY	PRICE
CC020	20mm	240	20	R14.69
CC025	25mm	144	12	R22.14
CC032	32mm	96	8	R33.37
CC040	40mm	60	1	R57.37
CC050	50mm	35	1	R95.57
CC063	63mm	18	1	R161.49
CC075	75mm	14	1	R210.10
CC090	90mm	6	1	R372.47
CC110	110mm	4	1	R623.84

MALE ADAPTORS



Temperature rating: 0°C - 45°C
Working Pressure 16 BAR

CODE	SIZE	BOX QTY	PACK QTY	PRICE
CMA020015	20mm x 15mm	360	30	R9.34
CMA020020	20mm x 20mm	360	30	R9.48
CMA020025	20mm x 25mm	360	20	R9.58
CMA025015	25mm x 15mm	240	20	R13.59
CMA025020	25mm x 20mm	240	20	R13.76
CMA025025	25mm x 25mm	240	20	R13.59
CMA032015	32mm x 15mm	154	14	R19.33
CMA032020	32mm x 20mm	154	14	R19.86
CMA032025	32mm x 25mm	154	14	R20.49
CMA032032	32mm x 32mm	154	14	R21.26
CMA040025	40mm x 25mm	90	1	R32.52
CMA040032	40mm x 32mm	90	1	R34.47
CMA040040	40mm x 40mm	90	1	R34.19
CMA040050	40mm x 50mm	85	1	R36.99
CMA050025	50mm x 25mm	65	1	R52.84
CMA050032	50mm x 32mm	60	1	R54.10
CMA050040	50mm x 40mm	55	1	R55.92
CMA050050	50mm x 50mm	55	1	R58.20
CMA063040	63mm x 40mm	32	1	R91.10
CMA063050	63mm x 50mm	32	1	R92.64
CMA063065	63mm x 65mm	28	1	R97.44
CMA075050	75mm x 50mm	22	1	R122.57
CMA075065	75mm x 65mm	22	1	R124.71
CMA075080	75mm x 80mm	22	1	R129.08
CMA090050	90mm x 50mm	11	1	R208.48
CMA090065	90mm x 65mm	11	1	R213.04
CMA090080	90mm x 80mm	11	1	R214.14
CMA110080	110mm x 80mm	6	1	R370.00
CMA110100	110mm x 100mm	6	1	R371.34

REDUCING COUPLING



Temperature rating: 0°C - 45°C
Working Pressure 16 BAR

CODE	SIZE	BOX QTY	PACK QTY	PRICE
CRC025020	25mm x 20mm	160	16	R18.81
CRC032020	32mm x 20mm	112	8	R26.28
CRC032025	32mm x 25mm	112	8	R29.41
CRC040025	40mm x 25mm	65	1	R41.88
CRC040032	40mm x 32mm	65	1	R47.60
CRC050025	50mm x 25mm	42	1	R63.39
CRC050032	50mm x 32mm	42	1	R66.46
CRC050040	50mm x 40mm	42	1	R79.12
CRC063032	63mm x 32mm	26	1	R104.39
CRC063040	63mm x 40mm	26	1	R114.72
CRC063050	63mm x 50mm	18	1	R140.67
CRC075050	75mm x 50mm	14	1	R164.67
CRC075063	75mm x 63mm	14	1	R200.62
CRC090063	90mm x 63mm	8	1	R282.22
CRC090075	90mm x 75mm	8	1	R306.74
CRC110090	110mm x 90mm	5	1	R512.97



**EXTRA GRIP
PERFECT SEAL
PROVEN DURABILITY**



COMPRESSION FITTINGS

JASWIC APPROVED

GOLD MEDAL

ELBOW 90°



**Temperature rating: 0°C - 45°C
Working Pressure 16 BAR**

CODE	SIZE	BOX QTY	PACK QTY	PRICE
CE020	20mm	240	20	R14.91
CE025	25mm	144	12	R23.45
CE032	32mm	96	8	R34.55
CE040	40mm	50	1	R62.48
CE050	50mm	27	1	R110.93
CE063	63mm	14	1	R186.21
CE075	75mm	9	1	R249.89
CE090	90mm	6	1	R406.19
CE110	110mm	3	1	R725.76

MALE ELBOW 90°



**Temperature rating: 0°C - 45°C
Working Pressure 16 BAR**

CODE	SIZE	BOX QTY	PACK QTY	PRICE
CME020015	20mm x 15mm	390	30	R10.00
CME020020	20mm x 20mm	390	30	R12.00
CME025015	25mm x 15mm	220	20	R14.45
CME025020	25mm x 20mm	220	20	R14.39
CME025025	25mm x 25mm	220	20	R14.75
CME032015	32mm x 15mm	143	13	R19.99
CME032020	32mm x 20mm	143	13	R19.94
CME032025	32mm x 25mm	143	13	R21.00
CME032032	32mm x 32mm	130	10	R24.00
CME040025	40mm x 25mm	75	1	R38.89
CME040032	40mm x 32mm	75	1	R39.41
CME040040	40mm x 40mm	75	1	R40.23
CME050032	50mm x 32mm	40	1	R71.98
CME050040	50mm x 40mm	40	1	R70.12
CME050050	50mm x 50mm	40	1	R74.67
CME063040	63mm x 40mm	22	1	R124.49
CME063050	63mm x 50mm	22	1	R127.41
CME063065	63mm x 65mm	22	1	R125.13
CME075065	75mm x 65mm	9	1	R178.21
CME075080	75mm x 80mm	9	1	R182.00
CME090080	90mm x 80mm	6	1	R303.00
CME1100100	110mm x 100mm	6	1	R453.76

FEMALE ADAPTOR



**Temperature rating: 0°C - 45°C
Working Pressure 16 BAR**

CODE	SIZE	BOX QTY	PACK QTY	PRICE
CFA020015	20mm x 15mm	320	32	R9.56
CFA020020	20mm x 20mm	280	28	R10.52
CFA020025	20mm x 25mm	320	28	R12.55
CFA025015	25mm x 15mm	216	18	R13.95
CFA025020	25mm x 20mm	216	18	R15.10
CFA025025	25mm x 25mm	216	18	R15.27
CFA032015	32mm x 15mm	144	12	R20.68
CFA032020	32mm x 20mm	144	12	R20.90
CFA032025	32mm x 25mm	144	12	R21.94
CFA032032	32mm x 32mm	140	10	R24.22
CFA040025	40mm x 25mm	85	1	R35.70
CFA040032	40mm x 32mm	85	1	R38.26
CFA040040	40mm x 40mm	85	1	R41.58
CFA050032	50mm x 32mm	52	1	R61.30
CFA050040	50mm x 40mm	52	1	R60.94
CFA050050	50mm x 50mm	48	1	R66.46
CFA063050	63mm x 50mm	30	1	R99.67
CFA063065	63mm x 65mm	28	1	R112.77
CFA075050	75mm x 50mm	24	1	R123.83
CFA075065	75mm x 65mm	24	1	R137.29
CFA075080	75mm x 80mm	24	1	R145.26
CFA090065	90mm x 65mm	10	1	R219.90
CFA090080	90mm x 80mm	10	1	R226.52

END CAP



**Temperature rating: 0°C - 45°C
Working Pressure 16 BAR**

CODE	SIZE	BOX QTY	PACK QTY	PRICE
CEC020	20mm	400	30	R9.53
CEC025	25mm	240	20	R14.28
CEC032	32mm	168	14	R20.68
CEC040	40mm	110	1	R31.97
CEC050	50mm	64	1	R53.25
CEC063	63mm	33	1	R91.21
CEC075	75mm	30	1	R117.63
CEC090	90mm	16	1	R198.51
CEC110	110mm	8	1	R349.70



GOLD MEDAL

REDUCING TEE



**Temperature rating: 0°C - 45°C
Working Pressure 16 BAR**

CODE	SIZE	BOX QTY	PACK QTY	PRICE
CRT025020	25mm x 20mm	78	6	R31.58
CRT032020	32mm x 20mm	55	5	R43.59
CRT032025	32mm x 25mm	55	5	R47.21
CRT040025	40mm x 25mm	35	1	R76.51
CRT040032	40mm x 32mm	35	1	R82.83
CRT050025	50mm x 25mm	22	1	R129.00
CRT050032	50mm x 32mm	18	1	R137.54
CRT050040	50mm x 40mm	18	1	R150.28
CRT063040	63mm x 40mm	10	1	R233.33
CRT063050	63mm x 50mm	10	1	R246.65
CRT075063	75mm x 63mm	8	1	R352.09
CRT090063	90mm x 63mm	3	1	R566.47
CRT090075	90mm x 75mm	3	1	R582.21
CRT110090	110mm x 90mm	2	1	R991.39

MALE TEE



**Temperature rating: 0°C - 45°C
Working Pressure 16 BAR**

CODE	SIZE	BOX QTY	PACK QTY	PRICE
CMT020015	20mm x 15mm	170	17	R17.49
CMT020020	20mm x 20mm	170	17	R17.63
CMT025015	25mm x 15mm	120	10	R24.80
CMT025020	25mm x 20mm	120	10	R26.00
CMT025025	25mm x 25mm	100	10	R25.79
CMT032015	32mm x 15mm	72	6	R37.32
CMT032020	32mm x 20mm	72	6	R36.10
CMT032025	32mm x 25mm	72	6	R38.78
CMT032032	32mm x 32mm	65	5	R40.00
CMT040025	40mm x 25mm	45	1	R67.45
CMT040032	40mm x 32mm	45	1	R68.77
CMT040040	40mm x 40mm	45	1	R69.54
CMT050032	50mm x 32mm	24	1	R119.44
CMT050040	50mm x 40mm	24	1	R120.46
CMT050050	50mm x 50mm	24	1	R123.23
CMT063040	63mm x 40mm	10	1	R215.26
CMT063050	63mm x 50mm	10	1	R214.27
CMT063065	63mm x 65mm	10	1	R227.32
CMT075065	75mm x 65mm	8	1	R314.16
CMT075080	75mm x 80mm	8	1	R311.19
CMT090080	90mm x 80mm	4	1	R500.70
CMT110100	110mm x 100mm	2	1	R843.25

EQUAL TEE



**Temperature rating: 0°C - 45°C
Working Pressure 16 BAR**

CODE	SIZE	BOX QTY	PACK QTY	PRICE
CET020	20mm	130	10	R24.94
CET025	25mm	78	6	R34.47
CET032	32mm	48	4	R53.23
CET040	40mm	30	1	R94.70
CET050	50mm	18	1	R162.89
CET063	63mm	10	1	R275.85
CET075	75mm	8	1	R367.69
CET090	90mm	3	1	R616.29
CET110	110mm	2	1	R1 077.36

INCREASING TEE



**Temperature rating: 0°C - 45°C
Working Pressure 16 BAR**

CODE	SIZE	BOX QTY	PACK QTY	PRICE
CIT020025	20mm x 25mm	110	1	R26.56
CIT025032	25mm x 32mm	70	1	R39.80
CIT032040	32mm x 40mm	40	1	R65.17
CIT040050	40mm x 50mm	23	1	R111.20

**EXTRA GRIP
PERFECT SEAL
PROVEN DURABILITY**



COMPRESSION FITTINGS

JASWIC APPROVED

GOLD MEDAL

FEMALE ELBOW 90°



**Temperature rating: 0°C - 45°C
Working Pressure 16 BAR**

CODE	SIZE	BOX QTY	PACK QTY	PRICE
CFE020015	20mm x 15mm	390	30	R9.42
CFE020020	20mm x 20mm	390	30	R9.94
CFE025015	25mm x 15mm	198	18	R14.69
CFE025020	25mm x 20mm	198	18	R16.42
CFE025025	25mm x 25mm	198	18	R16.56
CFE032015	32mm x 15mm	130	13	R20.95
CFE032020	32mm x 20mm	120	12	R22.11
CFE032025	32mm x 25mm	120	12	R23.51
CFE032032	32mm x 32mm	110	10	R27.00
CFE040020	40mm x 20mm	70	1	R40.15
CFE040025	40mm x 25mm	70	1	R40.40
CFE040032	40mm x 32mm	60	1	R47.60
CFE040040	40mm x 40mm	60	1	R49.60
CFE050032	50mm x 32mm	40	1	R73.85
CFE050040	50mm x 40mm	40	1	R84.00
CFE050050	50mm x 50mm	40	1	R83.22
CFE063040	63mm x 40mm	17	1	R136.52
CFE063050	63mm x 50mm	17	1	R158.66
CFE063065	63mm x 65mm	17	1	R162.23
CFE075050	75mm x 50mm	12	1	R268.89
CFE075065	75mm x 65mm	12	1	R269.94
CFE090080	90mm x 80mm	6	1	R363.12

FEMALE TEE



**Temperature rating: 0°C - 45°C
Working Pressure 16 BAR**

CODE	SIZE	BOX QTY	PACK QTY	PRICE
CFT020015	20mm x 15mm	180	15	R18.13
CFT020020	20mm x 20mm	180	15	R18.13
CFT025015	25mm x 15mm	120	10	R24.61
CFT025020	25mm x 20mm	120	10	R25.73
CFT025025	25mm x 25mm	120	10	R26.48
CFT032015	32mm x 15mm	72	6	R37.96
CFT032020	32mm x 20mm	72	6	R38.72
CFT032025	32mm x 25mm	60	5	R40.54
CFT032032	32mm x 32mm	60	5	R42.27
CFT040025	40mm x 25mm	44	1	R68.30
CFT040032	40mm x 32mm	44	1	R74.10
CFT040040	40mm x 40mm	44	1	R76.82
CFT050032	50mm x 32mm	28	1	R117.74
CFT050040	50mm x 40mm	28	1	R120.29
CFT050050	50mm x 50mm	26	1	R126.80
CFT063040	63mm x 40mm	12	1	R211.23
CFT063050	63mm x 50mm	12	1	R212.98
CFT063065	63mm x 65mm	12	1	R225.78
CFT075050	75mm x 50mm	8	1	R291.69
CFT075065	75mm x 65mm	8	1	R307.79
CFT075080	75mm x 80mm	4	1	R315.40
CFT090065	90mm x 65mm	8	1	R484.22
CFT090080	90mm x 80mm	4	1	R488.23
CFT110080	110mm x 80mm	2	1	R821.80
CFT110100	110mm x 100mm	2	1	R855.17





GOLD MEDAL

FLANGED ADAPTOR (T1600)



Temperature rating: 0°C - 45°C
Working Pressure 16 BAR

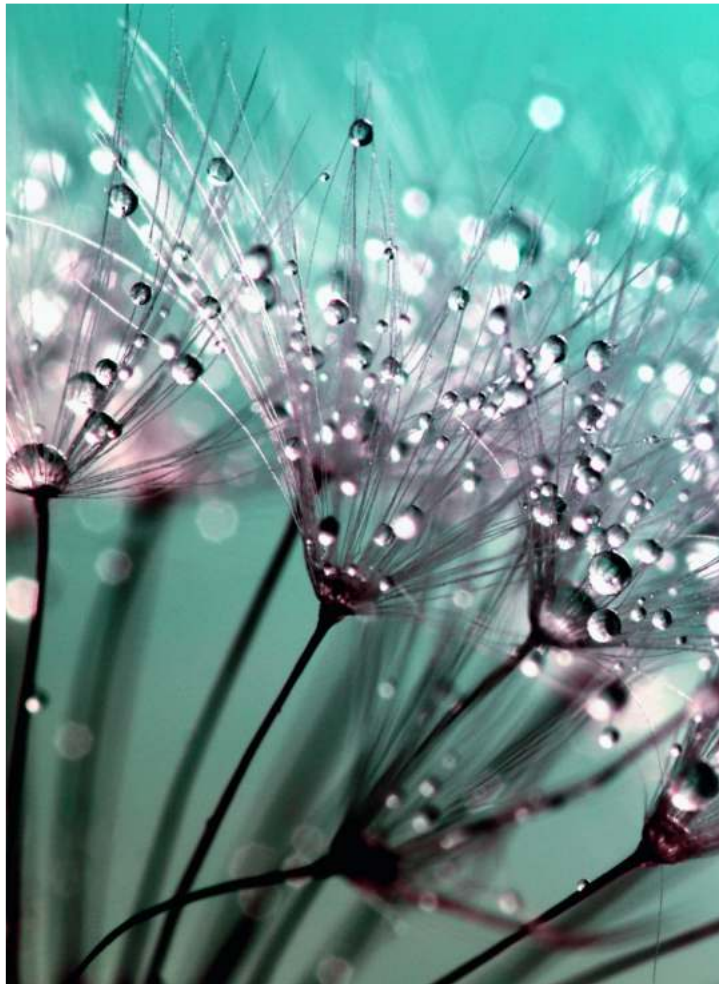
CODE	SIZE	BOX QTY	PRICE
CA040040FL	40mm x 40mm	26	R200.21
CA050040FL	50mm x 40mm	25	R222.92
CA050050FL	50mm x 50mm	22	R242.95
CA063050FL	63mm x 50mm	13	R290.10
CA063065FL	63mm x 65mm	13	R304.66
CA075065FL	75mm x 65mm	7	R352.23
CA075080FL	75mm x 80mm	7	R429.51
CA090080FL	90mm x 80mm	6	R509.54
CA090100FL	90mm x 100mm	6	R569.71
CA110100FL	110mm x 100mm	4	R732.49

SINGLE UNION BALL VALVE



Temperature rating: 0°C - 45°C
Working Pressure 16 BAR

CODE	SIZE	BOX QTY	PRICE
CSUBV020	20mm	170	R36.00
CSUBV025	25mm	105	R56.27
CSUBV032	32mm	80	R82.00
CSUBV040	40mm	40	R134.13
CSUBV050	50mm	26	R212.35
CSUBV063	63mm	12	R350.49



SPANNER

NEW



CODE	SIZE	BOX QTY	PRICE
CFS16-75	16-75mm	100	R31.25
CFS75-110	75-110mm	80	R44.00

O-RING FOR COMPRESSION FITTINGS



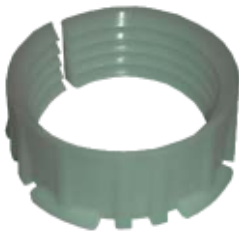
CODE	SIZE	PRICE
CFOR020	20mm	R0.82
CFOR025	25mm	R1.29
CFOR032	32mm	R1.59
CFOR040	40mm	R3.63
CFOR050	50mm	R5.10
CFOR063	63mm	R7.63
CFOR075	75mm	R9.72
CFOR090	90mm	R20.13
CFOR110	110mm	R23.81

BLOCKING BUSH FOR COMPRESSION FITTINGS



CODE	SIZE	PRICE
CBB020	20mm	R0.63
CBB025	25mm	R0.99
CBB032	32mm	R1.46
CBB040	40mm	R2.66
CBB050	50mm	R4.28
CBB063	63mm	R6.18
CBB075	75mm	R17.85
CBB090	90mm	R34.38
CBB110	110mm	R49.57

CLINCH RING FOR COMPRESSION FITTINGS



CODE	SIZE	PRICE
CCR020	20mm	R1.48
CCR025	25mm	R1.70
CCR032	32mm	R3.00
CCR040	40mm	R6.21
CCR050	50mm	R8.32
CCR063	63mm	R13.35
CCR075	75mm	R19.83
CCR090	90mm	R36.00
CCR110	110mm	R53.31

NUT ONLY FOR COMPRESSION FITTINGS



CODE	SIZE	PRICE
CFN020	20mm	R3.68
CFN025	25mm	R5.30
CFN040	40mm	R13.76
CFN050	50mm	R23.18
CFN063	63mm	R39.30
CFN075	75mm	R47.57
CFN090	90mm	R74.15
CFN110	110mm	R131.31



CLAMP SADDLE (PN6)

Bolts per Saddle
25mm - 40mm x 2 Bolts
50mm - 125mm x 4 Bolts
160mm - 315mm x 6 Bolts



Temperature rating: 0°C - 45°C
Working Pressure 6 BAR

CODE	SIZE	BOX QTY	PRICE
CS025015	25mm x 15mm	160	R12.22
CS025020	25mm x 20mm	160	R12.85
CS032015	32mm x 15mm	240	R14.64
CS032020	32mm x 20mm	240	R15.11
CS032025	32mm x 25mm	240	R15.99
CS040015	40mm x 15mm	200	R16.00
CS040020	40mm x 20mm	200	R16.95
CS040025	40mm x 25mm	200	R17.93
CS050015	50mm x 15mm	140	R24.69
CS050020	50mm x 20mm	140	R25.16
CS050025	50mm x 25mm	140	R26.00
CS050032	50mm x 32mm	140	R28.59
CS063015	63mm x 15mm	100	R30.76
CS063020	63mm x 20mm	100	R31.20
CS063025	63mm x 25mm	100	R31.67
CS063032	63mm x 32mm	80	R34.10
CS063040	63mm x 40mm	80	R35.84
CS075015	75mm x 15mm	80	R40.95
CS075020	75mm x 20mm	80	R41.50
CS075025	75mm x 25mm	80	R42.10
CS075032	75mm x 32mm	80	R43.53
CS075040	75mm x 40mm	64	R45.45
CS075050	75mm x 50mm	64	R47.38
CS090015	90mm x 15mm	64	R49.50
CS090020	90mm x 20mm	64	R49.65
CS090025	90mm x 25mm	60	R49.90
CS090032	90mm x 32mm	60	R50.00

CODE	SIZE	BOX QTY	PRICE
CS090040	90mm x 40mm	60	R50.37
CS090050	90mm x 50mm	60	R52.81
CS110015	110mm x 15mm	44	R96.24
CS110020	110mm x 20mm	44	R97.13
CS110025	110mm x 25mm	44	R97.73
CS110032	110mm x 32mm	35	R101.60
CS110040	110mm x 40mm	35	R102.68
CS110050	110mm x 50mm	35	R104.82
CS110080	110mm x 80mm	30	R119.19
CS125015	125mm x 15mm	24	R108.13
CS125020	125mm x 20mm	24	R109.36
CS125025	125mm x 25mm	24	R109.72
CS125032	125mm x 32mm	24	R110.41
CS125040	125mm x 40mm	24	R110.62
CS125050	125mm x 50mm	24	R110.62
CS125080	125mm x 80mm	18	R135.40
CS160015	160mm x 15mm	24	R193.21
CS160020	160mm x 20mm	24	R200.06
CS160025	160mm x 25mm	24	R203.64
CS160032	160mm x 32mm	24	R205.29
CS160040	160mm x 40mm	24	R208.11
CS160050	160mm x 50mm	24	R211.73
CS160080	160mm x 80mm	20	R219.58
CS160100	160mm x 100mm	20	R237.09



REINFORCED CLAMP SADDLE (PN10)



Bolts per Saddle
25mm - 40mm x 2 Bolts
50mm - 125mm x 4 Bolts
160mm - 315mm x 6 Bolts

Temperature rating: 0°C - 45°C
Working Pressure 6 BAR - 10 BAR

CODE	SIZE	BOX QTY	PRICE
CS025015R	25mm x 15mm	250	R17.22
CS025020R	25mm x 20mm	250	R18.98
CS032015R	32mm x 15mm	240	R19.14
CS032020R	32mm x 20mm	240	R20.82
CS032025R	32mm x 25mm	240	R24.33
CS040015R	40mm x 15mm	200	R25.00
CS040020R	40mm x 20mm	200	R25.34
CS040025R	40mm x 25mm	200	R25.54
CS050015R	50mm x 15mm	140	R29.33
CS050020R	50mm x 20mm	140	R30.81
CS050025R	50mm x 25mm	140	R33.84
CS050032R	50mm x 32mm	140	R37.52
CS063015R	63mm x 15mm	100	R35.26
CS063020R	63mm x 20mm	100	R36.80
CS063025R	63mm x 25mm	100	R39.44
CS063032R	63mm x 32mm	80	R42.95
CS063040R	63mm x 40mm	80	R45.86
CS075015R	75mm x 15mm	80	R45.51
CS075020R	75mm x 20mm	80	R47.13
CS075025R	75mm x 25mm	80	R49.76
CS075032R	75mm x 32mm	80	R52.40
CS075040R	75mm x 40mm	64	R55.48
CS075050R	75mm x 50mm	64	R59.62
CS090015R	90mm x 15mm	64	R52.90
CS090020R	90mm x 20mm	64	R53.25
CS090025R	90mm x 25mm	60	R55.92
CS090032R	90mm x 32mm	60	R57.70
CS090040R	90mm x 40mm	60	R60.56
CS090050R	90mm x 50mm	60	R65.12
CS110015R	110mm x 15mm	44	R70.31

CODE	SIZE	BOX QTY	PRICE
CS110020R	110mm x 20mm	44	R71.87
CS110025R	110mm x 25mm	44	R74.26
CS110032R	110mm x 32mm	35	R78.38
CS110040R	110mm x 40mm	35	R80.25
CS110050R	110mm x 50mm	35	R84.01
CS110080R	110mm x 80mm	30	R99.06
CS125015R	125mm x 15mm	24	R112.55
CS125020R	125mm x 20mm	24	R115.18
CS125025R	125mm x 25mm	24	R117.46
CS125032R	125mm x 32mm	24	R119.44
CS125040R	125mm x 40mm	24	R120.68
CS125050R	125mm x 50mm	24	R122.96
CS125080R	125mm x 80mm	18	R162.12
CS160015R	160mm x 15mm	24	R223.03
CS160020R	160mm x 20mm	24	R227.40
CS160025R	160mm x 25mm	24	R229.10
CS160032R	160mm x 32mm	24	R230.40
CS160040R	160mm x 40mm	24	R235.17
CS160050R	160mm x 50mm	24	R239.93
CS160080R	160mm x 80mm	20	R268.73
CS160100R	160mm x 100mm	20	R282.03
CS200020R	200mm x 20mm	10	R344.10
CS200025R	200mm x 25mm	10	R348.10
CS200050R	200mm x 50mm	10	R358.35
CS200080R	200mm x 80mm	10	R390.15
CS250050R	250mm x 50mm	7	R442.53
CS250080R	250mm x 80mm	7	R471.20
CS315050R	315mm x 50mm	5	R565.84
CS315080R	315mm x 80mm	5	R593.94

CLAMP SADDLE O RING



CODE	SIZE	PRICE
CSOR025	25mm	R1.32
CSOR032	32mm	R1.40
CSOR040	40mm	R1.62
CSOR050	50mm	R2.14
CSOR063	63mm	R3.19
CSOR075/090	75mm	R9.58

CODE	SIZE	PRICE
CSOR075/090	90mm	R9.58
CSOR110/160	110mm	R46.72
CSOR125	125mm	R16.00
CSOR110/160	160mm	R46.72
CSOR200	200mm	R46.85
CSOR250	250mm	R47.30





**IRRIGATION
UNLIMITED**

FITTINGS FOR PVC PIPE

1. PIPE GEL	Pg. 34
2. LM6 & CAST IRON FITTINGS	Pg. 35 - 41
3. FABRICATED & GREY MOULDED FITTINGS	Pg. 42 - 48



CODE	SIZE	PRICE
PVCGEL-1L	1 Litre	R85.00
PVCGEL-2L	2 Litre	R165.00
PVCGEL-5L	5 Litre	R370.00



**BLUE EPOXY COATED
LM6 ALUMINIUM FITTINGS FOR PVC PIPE
(9 BAR)**



**BLACK BITUMEN COATED
CAST IRON FITTINGS FOR PVC PIPE
(16 BAR)**

CODE 60 – FEMALE ADAPTORS BSP



CODE A60 – FEMALE ADAPTORS BSP



Available Sizes
75 x 3"
90 x 3"
110mm x 4"

SIZE	50mm	63mm	75mm	90mm	110mm	125mm	140mm
TO	50mm	50mm	50mm				
OR			80mm	80mm	80mm	80mm	80mm
OR					100mm	100mm	100mm
PRICE	R344.58	R418.30	R555.75	R623.46	R858.41	R1 735.38	R1 931.79
PRICE			R724.23	R865.39	R1061.79		

CODE 61 - FLANGED ADAPTORS

CODE A61 - FLANGED ADAPTORS

Flange is always table "D"



**IR Rings
on page 50**

**Cast Iron Only
75, 90, 110mm
is multi drilling.
Rest all TD**



50mm	63mm	75mm	90mm	110mm	125mm	140mm	160mm	200mm	250mm	315mm
50mm	50mm	80mm	80mm	100mm	125mm	125mm	150mm	200mm	250mm	300mm
R573.95	R586.18	R659.65	R731.99	R941.10	R1 134.25	R1 278.19	R1 416.73	R2 715.30	R4 573.10	
R484.86	R589.20	R687.40	R834.70	R994.28	R1 344.12	R1 436.18	R1 798.30	R2 620.73	R4 523.36	R6 100.70

CODE 64 - 65 BENDS

CODE A62 – A65 BENDS

CODE 64 – 45°

CODE 65 – 90°



CODE A62 – 11.25°

CODE A63 – 22.5°

(only 110mm/160mm)

(only 110mm/160mm)



CODE A64 – 45°

CODE A65 – 90°

(only 110mm/160mm)

(only 110mm/125mm/140mm/160mm)



SIZE	50mm	63mm	75mm	90mm	110mm	125mm	140mm	160mm	200mm	250mm
PRICE	R736.28	R888.27	R1 099.10	R1 469.86	R1 818.52	R2 133.28	R2 456.42	R2 686.47	R4 293.07	R4 949.34
PRICE					R1 178.41	R1 651.00	R1 853.53	R2 203.37		

**BLUE EPOXY COATED
LM6 ALUMINIUM FITTINGS FOR PVC PIPE
(9 BAR)**



**BLACK BITUMEN COATED
CAST IRON FITTINGS FOR PVC PIPE
(16 BAR)**

CODE 66 – COUPLINGS



CODE A66 – COUPLINGS



Slip over type

SIZE	50mm	63mm	75mm	90mm	110mm	125mm	140mm	160mm	200mm	250mm
PRICE	R341.44	R433.56	R536.28	R592.40	R921.26	R1 045.90	R1 300.67	R1 538.78	R2 410.73	R4 875.67
PRICE	R417.35	R533.97	R656.72	R773.33	R975.87	R1 270.47	R1 344.12	R1 651.00	R2 307.71	R3 670.24

CODE 67 – END CAPS



CODE A67 – END CAPS



SIZE	50mm	63mm	75mm	90mm	110mm	125mm	140mm	160mm	200mm	250mm
PRICE	R255.75	R426.57	R513.76	R567.14	R976.23	R1 130.17	R1 283.14	R1 375.47	R1 633.04	R3 778.40
PRICE	R257.78	R288.46	R355.98	R472.59	R601.48	R773.33	R846.98	R1 024.97	R1 380.94	R2 270.89

CODE 69 – EQUAL TEES



CODE A69 – EQUAL TEES



SIZE	63mm	75mm	90mm	110mm	125mm	140mm	160mm	200mm	250mm	315mm
PRICE	R1 220.33	R1 502.87	R1 724.49	R2 726.20	R2 989.85	R4 574.49	R3 569.74	R6 890.90	R8 136.46	
PRICE	R705.82	R951.32	R1 184.54	R1 571.21	R1 914.91	R2 178.82	R2 866.23	R4 443.57	R8 027.89	R12 232.10

**BLUE EPOXY COATED
LM6 ALUMINIUM FITTINGS FOR PVC PIPE
(9 BAR)**



**BLACK BITUMEN COATED
CAST IRON FITTINGS FOR PVC PIPE
(16 BAR)**

CODE 72 – REDUCER

CODE A72 – REDUCER



***Non
stock
Items**

SIZE	63mm	75mm	90mm	110mm	125mm	140mm	160mm	200mm	250mm	315mm
x50mm	R503.10	R527.10								
x50mm	R592.22									
x63mm			R599.87							
x63mm		R546.24	R601.48							
x75mm			R628.72	R732.19						
x75mm			R730.37	R840.84						
x90mm				R656.40	R997.93					
x90mm				R853.12			R1 245.92			
x110mm					R1 062.68	R1 196.98	R1 151.05			
x110mm					R1 135.44	R1 190.68	R1 307.29			
x125mm						R1 212.70	R1 346.16			
x125mm						R1 264.33				
x140mm							R1 398.08			
x160mm								R1 744.70		
x160mm								R2 160.41		
x200mm									R4 863.96	
x200mm									R3 461.57	R5 467.93



**BLUE EPOXY COATED
LM6 ALUMINIUM FITTINGS FOR PVC PIPE
(9 BAR)**



**BLACK BITUMEN COATED
CAST IRON FITTINGS FOR PVC PIPE
(16 BAR)**

CODE 74 – REDUCING TEES

CODE A74 – REDUCING TEES

**Complete
Range
Non stock
Items**



Higher price
due to production
process

SIZE	63mm	75mm	90mm	110mm	125mm	140mm	160mm	200mm	250mm
x50mm	R1 208.11	R1 492.64							
x63mm		R1 504.86	R1 719.10						
x63mm		R853.12	R1 031.11	R1 368.67					
x75mm			R1 717.10	R2 699.36					
x75mm			R1 129.31	R1 454.59					
x90mm				R2 706.79	R2 954.71				
x90mm				R2 191.10			R2 356.81		
x110mm					R2 974.13	R4 508.48	R2 413.65	R3 900.06	
x110mm							R2 847.81		
x125mm						R4 524.19	R3 518.38	R3 915.78	
x140mm							R3 568.68	R3 966.10	
x160mm								R3 392.10	
x160mm								R3 584.32	R6 775.83

CODE 75 – R.O. BENDS

CODE A75 – R.O. BENDS



**Cast Iron Only
75, 90, 110mm
always 80mm outlet**

SIZE	50mm	63mm	75mm	90mm	110mm	125mm	140mm	160mm	200mm
TO	50mm	50mm	50mm	50mm	50mm	50mm			
OR			80mm	80mm	80mm	80mm	80mm	80mm	80mm
OR					100mm	100mm	100mm	100mm	100mm
PRICE	R681.87	R771.79	R1 037.94	R1 149.83	R 1838.84	R2 177.35	R2 132.30	R2 306.00	R2 985.80
TO	50mm	50mm	80mm	80mm	80mm				
PRICE	R441.90	R564.65	R718.09	R779.47	R951.32				

**BLUE EPOXY COATED
LM6 ALUMINIUM FITTINGS FOR PVC PIPE
(9 BAR)**

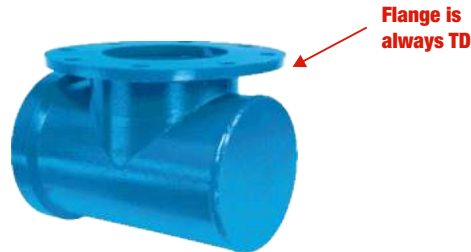


**BLACK BITUMEN COATED
CAST IRON FITTINGS FOR PVC PIPE
(16 BAR)**

CODE 75FL – R.O. BEND WITH FLANGE

**IR Rings
on page 50**

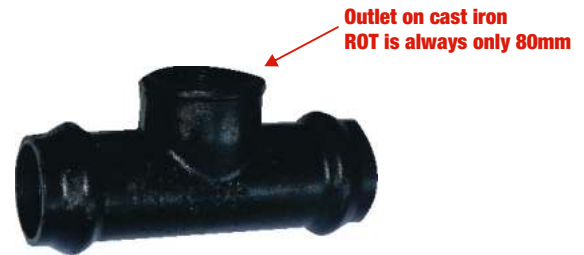
**Complete
Range
Non stock
Items**



SIZE	160mm	200mm	200mm	250mm
FLANGE	150mm	150mm	200mm	150mm
PRICE	R3 328.80	R3 954.71	R6 216.78	R7 007.37

CODE 76 – R.O. TEES F/F

CODE A76 – R.O. TEES F/F



SIZE	50mm	63mm	75mm	90mm	110mm	125mm	140mm	160mm	200mm	250mm
TO	50mm	50mm	50mm	50mm	50mm	50mm	50mm	50mm	50mm	50mm
OR			80mm	80mm	80mm	80mm	80mm	80mm	80mm	80mm
OR					100mm	100mm	100mm	100mm	100mm	100mm
PRICE	R544.00	R666.52	R979.34	R994.20	R1 511.62	R1 601.92	R2 096.40	R2 203.38	R2 739.49	R5 628.83
PRICE			R1 178.41	R1 319.57	R1 515.97	R1 994.70	R2 399.77	R2 731.20	R3 633.42	R6 972.23



**BLUE EPOXY COATED
LM6 ALUMINIUM FITTINGS FOR PVC PIPE
(9 BAR)**



**BLACK BITUMEN COATED
CAST IRON FITTINGS FOR PVC PIPE
(16 BAR)**

CODE 77 – R.O. TEES M/F



SIZE	75mm	90mm	110mm	125mm	140mm	160mm	200mm
TO	80mm	80mm	80mm	80mm	80mm	80mm	80mm
PRICE	R832.97	R975.56	R1 281.20	R1 540.70	R1 640.23	R1 710.00	R2 372.10

CODE 78 – SADDLES

For outlet sizes other than specified - please request a quote



SIZE	50mm	63mm	75mm	90mm	110mm	160mm	200mm	250mm
TO	20mm	20mm	20mm	20mm	20mm	25mm	25mm	25mm
PRICE	R469.89	R473.73	R515.51	R581.60	R615.00	R754.00	R1 135.41	R1 199.75
OR	25mm	25mm	25mm	25mm	25mm	40mm	40mm	40mm
PRICE	R469.89	R473.73	R515.51	R581.60	R615.00	R801.96	R1 190.60	R1 238.35



**BLUE EPOXY COATED
LM6 ALUMINIUM FITTINGS FOR PVC PIPE
(9 BAR)**



**BLACK BITUMEN COATED
CAST IRON FITTINGS FOR PVC PIPE
(16 BAR)**

CODE 80 – F.O.B TEES

**Complete
Range
Non stock
Items**



**Flange is
always TD**

**IR Rings
on page 50**

SIZE	110mm	125mm	160mm	200mm	250mm
FLANGE	100mm	100mm	150mm	150mm	200mm
OR		125mm	200mm	200mm	250mm
PRICE	R2 368.23	R2 448.63	R2 844.00	R7 376.31	R8 595.57

CODE A80 – HYDRANT TEES



**80mm Flange is
multi drilled rest
are TD**

**IR Rings
on page 50**

SIZE	75mm	90mm	110mm	160mm	200mm	250mm
FLANGE	80mm	80mm	100mm	80mm	80mm	150mm
OR				150mm	200mm	
PRICE	R1 651.00	R1 693.96	R1 976.28	R2 761.89	R5 766.82	R7 585.99

CODE A81 – SCOUR TEES

**Flange is
always
100mm
multi drilled**



**IR Rings
on page 50**

SIZE	110mm	160mm	200mm
PRICE	R2 025.00	R3 019.66	R3 891.19

LM RUBBERS (SP CODES)

CAST IRON RUBBERS (PVC CODES)

50mm	63mm	75mm	90mm	110mm	125mm	140mm	160mm	200mm	250mm	315mm
SP092	SP093	SP094	SP095	SP096	SP097	SP098	SP099	SP100	SP101	
R25.00	R40.30	R37.86	R47.13	R71.37	R91.00	R153.91	R155.25	R232.59	R492.17	
PVC092	PVC093	PVC094	PVC095	PVC096	PVC097	PVC098	PVC099	PVC100	PVC101	PVC102
R20.00	R28.00	R33.00	R34.00	R36.00	R44.00	R50.00	R59.00	R74.00	R110.00	R240.00

**FABRICATED FITTINGS
FOR PVC PIPE
(9 BAR)**



**GREY MOULDED PVC FITTINGS
FOR PVC PIPE
(9 BAR)**

Fabricated Tee's, Flanged Adaptor's, ROT's & ROB's
up to 110mm are manufactured from uPVC
Solvent Weld fittings

CODE PVC58 – AC/PVC ADAPTOR



CLASS 9

SIZE	90mm	110mm	125mm	140mm	160mm	200mm	250mm	315mm
PRICE	R216.00	R225.00	R307.00	R428.00	R477.00	R771.00	R1 352.00	R2 479.00

CODE PVC59 – ADAPTOR B.S.P (MALE)



CLASS 9

SIZE	50mm	63mm	75mm	90mm	110mm	125mm	140mm	160mm	200mm	250mm	315mm
x 50mm	R170.00	R189.00	R268.00	R340.00	R457.00						
x 65mm		R199.00	R268.00	R340.00							
x 80mm			R294.00	R310.00	R431.00	R523.00	R555.00	R735.00	R999.00	P.O.R.	
x 100mm					R431.00	R523.00	R555.00	R735.00	R999.00	P.O.R.	P.O.R.
x 150mm								R735.00			

CODE PVC60 – ADAPTOR B.S.P (FEMALE)



CLASS 9

SIZE	50mm	63mm	75mm	90mm	110mm	125mm	140mm	160mm	200mm	250mm	315mm
x 50mm	R170.00	R189.00	R268.00	R340.00							
x 65mm		R202.00	R268.00								
x 80mm			R294.00	R310.00	R431.00	R523.00	R555.00	R735.00	R999.00	P.O.R.	
x 100mm					R431.00	R523.00	R555.00	R735.00	R999.00	P.O.R.	P.O.R.

**FABRICATED FITTINGS
FOR PVC PIPE
(9 BAR)**

Fabricated Tee's, Flanged Adaptor's, ROT's & ROB's
up to 110mm are manufactured from uPVC
Solvent Weld fittings



**GREY MOULDED PVC FITTINGS
FOR PVC PIPE
(9 BAR)**

CODE PVC61 – FLANGE ADAPTORS



Flange is
always TD

IR Rings
on page 50



Flange is TD up to 200mm.
250mm and 315mm is T10

CLASS 9

SIZE	63mm	75mm	90mm	110mm	125mm	140mm	160mm	200mm	250mm	315mm
FLANGE	50mm	80mm	80mm	100mm	125mm	125mm	150mm	200mm	250mm	300mm
PRICE	R405.00	R529.00	R588.00	R768.00	R1 241.00	R1 339.00	R1 698.00	R2 338.00	R4 102.00	R8 067.00
PRICE	R222.24	R250.00	R286.70	R365.00			R662.00	R1 148.46	R2 016.60	R2 554.67

CODE PVC62 & PVC63 – BENDS 11.25° & 22.5°

CODE PVC62 = 11.25° BENDS
CODE PVC63 = 22.5° BENDS



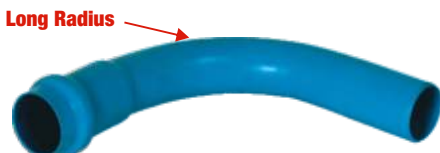
Long Radius

CLASS 9

SIZE	50mm	63mm	75mm	90mm	110mm	125mm	140mm	160mm	200mm	250mm	315mm
PRICE	R157.00	R196.00	R261.00	R287.00	R398.00	R611.00	R745.00	R986.00	R1 764.00	R3 005.00	R7 571.00

CODE PVC64 & PVC65 - BENDS 45° & 90°

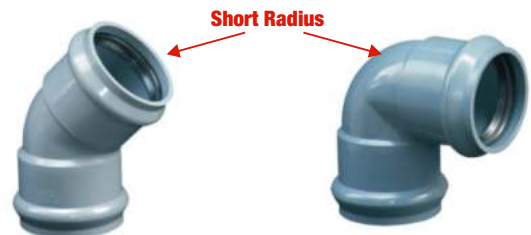
CODE PVC64 = 45° BENDS
CODE PVC65 = 90° BENDS



Long Radius

CODE M64 & M65 - BENDS 45° & 90°

CODE M64 = 45° BENDS
CODE M65 = 90° BENDS



Short Radius

CLASS 9

SIZE	50mm	63mm	75mm	90mm	110mm	125mm	140mm	160mm	200mm	250mm	315mm
PRICE	R154.00	R199.00	R261.00	R323.00	R444.00	R735.00	R849.00	R1 078.00	R2 074.00	R3 625.00	R9 076.00
PRICE			R337.89	R374.50	R401.85			R992.77	R1 570.86	R2 921.61	R5 221.66

**FABRICATED FITTINGS
FOR PVC PIPE
(9 BAR)**



**GREY MOULDED PVC FITTINGS
FOR PVC PIPE
(9 BAR)**

Fabricated Tee's, Flanged Adaptor's, ROT's & ROB's
up to 110mm are manufactured from uPVC
Solvent Weld fittings

CODE PVC66 – COUPLINGS

CODE M66 – COUPLINGS



CLASS 9

SIZE	50mm	63mm	75mm	90mm	110mm	125mm	140mm	160mm	200mm	250mm	315mm
PRICE	R144.00	R176.00	R183.00	R196.00	R235.00	R405.00	R444.00	R523.00	R947.00	R1 568.00	R2 946.00
PRICE		R98.65	R250.64	R288.00	R329.73			R746.28	R1 374.93	R1 716.74	R3 085.10

CODE PVC67 – END CAPS



CLASS 9

SIZE	50mm	63mm	75mm	90mm	110mm	125mm	140mm	160mm	200mm	250mm	315mm
PRICE	R91.00	R111.00	R118.00	R173.00	R255.00	R278.00	R333.00	R523.00	R807.00	R1 274.00	R2 371.00

CODE PVC68 – EQUAL CROSSES



**All
Crosses
Complete
Range
Non stock
Items**

CLASS 9

SIZE	50mm	63mm	75mm	90mm	110mm	125mm	140mm	160mm	200mm	250mm	315mm
PRICE	R555.00	R647.00	R826.00	R1 006.00	R1 110.00	R1 708.00	R1 904.00	R2 841.00	R3 772.00	R5373.00	P.O.R.

**FABRICATED FITTINGS
FOR PVC PIPE
(9 BAR)**



**GREY MOULDED PVC FITTINGS
FOR PVC PIPE
(9 BAR)**

Fabricated Tee's, Flanged Adaptor's, ROT's & ROB's up to 110mm are manufactured from uPVC Solvent Weld fittings

CODE PVC69 – EQUAL TEES (F/F/F)



CODE M69 – EQUAL TEES



CLASS 9

SIZE	50mm	63mm	75mm	90mm	110mm	125mm	140mm	160mm	200mm	250mm	315mm
PRICE	R229.00	R278.00	R412.00	R483.00	R790.00	R1 042.00	R1 293.00	R1 568.00	R3 070.00	R4 899.00	R10 125.00
PRICE		R185.85	R368.21	R623.65	R684.48			R1 465.59	R2 470.24	R3 891.78	R7 359.07

CODE PVC71 – REDUCER (FEMALE/MALE)



CLASS 9

SIZE	50mm	63mm	75mm	90mm	110mm	125mm	140mm	160mm	200mm	250mm	315mm
x40mm	R140.00	R140.00									
x50mm		R140.00	R163.00	R268.00							
x63mm			R163.00	R238.00	R323.00						
x75mm				R238.00	R304.00	R451.00					
x90mm					R304.00	R398.00		R647.00			
x110mm						R398.00	R464.00	R588.00	R980.00		
x125mm							R464.00	R588.00	R980.00		
x140mm								R588.00	R980.00		
x160mm									R980.00	R1 401.00	
x200mm										R1 401.00	R3 576.00
x250mm											R3 576.00



**FABRICATED FITTINGS
FOR PVC PIPE
(9 BAR)**

Fabricated Tee's, Flanged Adaptor's, ROT's & ROB's
up to 110mm are manufactured from uPVC
Solvent Weld fittings



**GREY MOULDED PVC FITTINGS
FOR PVC PIPE
(9 BAR)**

CODE PVC72 – REDUCER (FEMALE/FEMALE)

CODE M72 – REDUCERS



CLASS 9

SIZE	63mm	75mm	90mm	110mm	125mm	140mm	160mm	200mm	250mm	315mm
x50mm	R206.00	R287.00								
x63mm		R287.00	R372.00							
x63mm			R236.16							
x75mm			R490.00	R451.00						
x75mm			R258.79							
x90mm				R451.00	R634.00					
x90mm				R303.50						
x110mm					R634.00	R686.00	R914.00			
x110mm							R673.58			
x125mm						R686.00	R914.00			
x140mm							R914.00			
x160mm								R1 274.00		
x160mm								R890.41	R1 296.71	
x200mm									R1 914.00	R4 131.00
x200mm									R1 416.92	R3 066.27
x250mm										R4 131.00
x250mm										R3 290.92

CODE PVC73 – REDUCING CROSS



**All
Reducing
Crosses
Complete
Range
Non stock
Items**

CLASS 9

SIZE	63mm	75mm	90mm	110mm	125mm	140mm	160mm	200mm
x40mm								
x50mm	R719.00	R882.00						
x63mm		R882.00						
x75mm			R1 039.00	R1 110.00				
x90mm				R1 110.00	R1 267.00			
x110mm					R1 267.00	R1 617.00		
x125mm						R1 617.00	R1 845.00	
x140mm							R1 845.00	R2 107.00
x160mm								R2 107.00
x200mm								
x250mm								

**FABRICATED FITTINGS
FOR PVC PIPE
(9 BAR)**



**GREY MOULDED PVC FITTINGS
FOR PVC PIPE
(9 BAR)**

Fabricated Tee's, Flanged Adaptor's, ROT's & ROB's up to 110mm are manufactured from uPVC Solvent Weld fittings

CODE PVC74 – REDUCING TEES

CODE M74 – REDUCING TEES



**All PVC
Reducing
Tee's
Complete
Range
Non stock
Items**



CLASS 9

SIZE	75mm	90mm	110mm	125mm	140mm	160mm	200mm	250mm	315mm
x40mm									
x50mm	R376.00	R588.00	R735.00						
x63mm	R376.00	R588.00	R735.00						
x63mm		R554.72	R654.36						
x75mm		R588.00	R735.00						
x90mm			R735.00		R1 274.00		R3 250.00		
x90mm			R671.96			R1 250.52	R1 809.10		
x110mm				R970.00	R1 274.00	R1 679.00	R3 250.00		
x110mm						R1 335.10	R1 934.92	R2 733.87	
x125mm					R1 274.00	R1 679.00	R3 250.00		
x140mm						R1 679.00	R3 250.00		
x160mm							R3 250.00	R4 759.00	
x160mm							R2 213.46		R5 927.35
x200mm								R4 759.00	R5 657.00
x200mm								R3 534.53	R6 455.87
x250mm									R5 657.00

CODE PVC75 – R.O. BENDS



CLASS 9

SIZE	50mm	63mm	75mm	90mm	110mm	125mm	140mm	160mm
x 50mm	R294.00	R395.00	R506.00	R555.00	R719.00	R862.00	R914.00	R1 163.00
x 65mm			R506.00	R555.00				
x 80mm		R604.00	R604.00	R663.00	R784.00	R934.00	R1 104.00	R1 274.00
x 100mm					R862.00	R934.00	R1 104.00	R1 274.00

**FABRICATED FITTINGS
FOR PVC PIPE
(9 BAR)**



**GREY MOULDED PVC FITTINGS
FOR PVC PIPE
(9 BAR)**

Fabricated Tee's, Flanged Adaptor's, ROT's & ROB's
up to 110mm are manufactured from uPVC
Solvent Weld fittings

CODE PVC76 – R.O. TEES (F/F)



CLASS 9

SIZE	50mm	63mm	75mm	90mm	110mm	125mm	140mm	160mm	200mm	250mm	315mm
x50mm	R294.00	R359.00	R457.00	R588.00	R702.00	R882.00	R1 006.00	R1274.00	R3 233.00	R6 042.00	P.O.R
x80mm			R555.00	R588.00	R816.00	R934.00	R1 039.00	R1 274.00	R3 233.00	R6 042.00	P.O.R
x100mm					R816.00	R934.00	R1 039.00	R1 274.00	R3 233.00	R6 042.00	P.O.R

CODE PVC80 – F.O.B TEES



Flange is
always TD

All PVC
Reducing
F.O.B Tee's
Complete
Range
Non stock Items

IR Rings
on page 50

CODE M80 – F.O.B. TEES



Flange is
Multi drilled

CLASS 9

SIZE	50mm	63mm	75mm	90mm	110mm	125mm	140mm	160mm	200mm	250mm	315mm
FLANGE	50mm	50mm	80mm	80mm		80mm	80mm				
OR					100mm	100mm	100mm	150mm	150mm	200mm	300mm
OR						125mm	125mm	200mm	200mm	250mm	
PRICE	R497.00	R603.00	R674.00	R781.00	R1 305.00	R1 718.00	R2 090.00	R2 645.00	R5 356.00	R7 995.00	R12 623.00

SIZE	110mm	160mm	200mm	250mm
FLANGE	100mm	100mm	150mm	200mm
OR		150mm	200mm	
PRICE	R877.31	R1 741.13	R2 776.99	R3 999.60

FABRICATED PVC RUBBERS

SIZE	50mm	63mm	75mm	90mm	110mm	125mm	140mm	160mm	200mm	250mm	315mm
CODE	PVC092	PVC093	PVC094	PVC095	PVC096	PVC097	PVC098	PVC099	PVC100	PVC101	PVC102
PRICE	R20.00	R28.00	R33.00	R34.00	R36.00	R44.00	R50.00	R59.00	R74.00	R110.00	R240.00

MOULDED PVC RUBBERS (MG CODES)

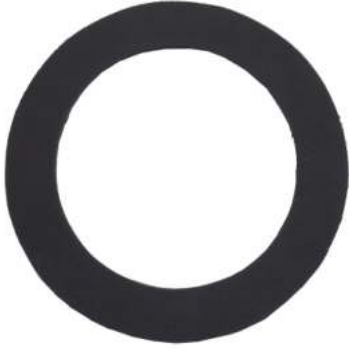
SIZE	63mm	75mm	90mm	110mm	160mm	200mm	250mm	315mm
CODE	MG093	MG094	MG095	MG096	MG099	MG100	MG101	MG102
PRICE	R12.00	R15.00	R19.00	R28.00	R52.00	R65.00	R115.00	R184.00

FLANGES & JIS

RUBBER INSERTION RINGS	Pg. 50
STEEL FLANGES.....	Pg. 51 - 53
BUTTWELD (JIS) FITTINGS	Pg. 54 - 58

RUBBER INSERTION GASKET – 3MM THICK

RUBBER INSERTION RING - FOR SOLVENT STUB ONLY



For use with Solvent Stub Only

CODE	SIZE	BOX QTY	PRICE
IRS040	40mm	10	R6.00
IRS050	50mm	10	R6.52
IRS063	63mm	10	R6.52
IRS075	75mm	10	R10.11
IRS090	90mm	10	R10.11
IRS110	110mm	10	R14.88
IRS125	125mm	10	R14.88
IRS140	140mm	10	R19.80
IRS160	160mm	10	R22.80
IRS200	200mm	10	R34.29
IRS250	250mm	10	R62.65
IRS315	315mm	10	R75.29

INSERTION RING GASKET (IR – RING)



For use with PVC LM6 and Cast Iron Fittings as well as any other Flanged Fittings or Flanges

CODE	SIZE	BOX QTY	PRICE
IR050	50mm	10	R4.66
IR065	65mm	10	R9.27
IR080	80mm	10	R9.27
IR100	100mm	10	R14.46
IR125	125mm	10	R19.66
IR150	150mm	10	R19.66
IR200	200mm	10	R29.99
IR250	250mm	10	R51.87
IR300	300mm	10	R62.00

INSERTION FULL FACE GASKET (TD)



T1600 available on request.

For use with PVC LM6 and Cast Iron Fittings as well as any other Flanged Fittings or Flanges

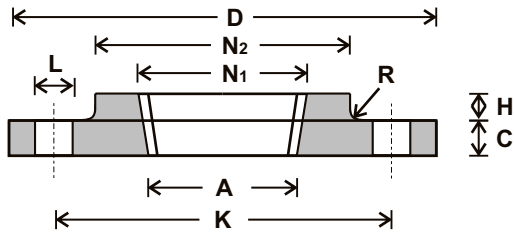
CODE	SIZE	BOX QTY	PRICE
IRF015	15mm	10	R5.11
IRF020	20mm	10	R5.11
IRF025	25mm	10	R5.11
IRF032	32mm	10	R5.11
IRF040	40mm	10	R8.23
IRF050	50mm	10	R10.31
IRF065	65mm	10	R15.50
IRF080	80mm	10	R15.50
IRF100	100mm	10	R20.70
IRF125	125mm	10	R29.52
IRF150	150mm	10	R39.46
IRF200	200mm	10	R45.63
IRF250	250mm	10	R101.16
IRF300	300mm	10	R107.00

MING

FLANGE (SCREWED) - TABLE D

**Temperature rating: 0°C - 350°C
Suitable Application.**

- Water
- Gas
- Oil
- Petro-chemicals



Galvanised Plated

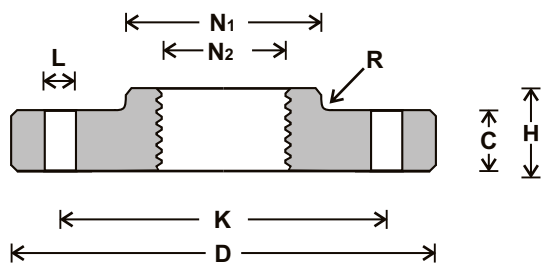
Working Pressure 10 BAR

CODE	SIZE	D	K	L	A	C	N1	N2	H	R	HOLES	BOX QTY	PRICE
GFLS15-TD	15mm	95.3	66.8	14.5	18.7	4.8	19.7	33.3	9.5	1.6	4	10	R71.25
GFLS20-TD	20mm	101.6	73.2	14.5	24.3	4.8	25.3	38.1	11.1	1.6	4	10	R85.95
GFLS25-TD	25mm	114.3	82.6	14.5	30.5	4.8	31.7	47.6	11.1	1.6	4	10	R97.33
GFLS32-TD	32mm	120.7	87.4	14.5	39.0	6.4	40.4	55.6	11.1	1.6	4	10	R113.21
GFLS40-TD	40mm	133.4	98.6	14.5	44.9	6.4	46.3	61.9	12.7	1.6	4	10	R133.20
GFLS50-TD	50mm	152.4	114.3	17.5	56.7	7.9	58.0	74.6	12.7	1.6	4	10	R172.50
GFLS65-TD	65mm	165.1	127.0	17.5	72.2	7.9	73.7	90.5	15.9	1.6	4	10	R204.88
GFLS80-TD	80mm	184.2	146.1	17.5	85.0	9.7	86.5	106.4	15.9	1.6	4	10	R266.93
GFLS100-TD	100mm	215.9	177.8	17.5	110.1	9.7	111.6	133.4	19.1	3.2	4	10	R364.89
GFLS150-TD	150mm	279.4	235.0	17.5	164.5	12.7	166.0	185.7	19.1	3.2	8	10	R666.67

FLANGE (SCREW ON) - TABLE 1600/4

**Temperature rating: 0°C - 350°C
Suitable Application.**

- Water
- Gas
- Oil
- Petro-chemicals



Galvanised Plated

Working Pressure 16 BAR

CODE	SIZE	D	K	L	C	N1	N2	H	R	HOLES	BOX QTY	PRICE
GFLS15-1600/4	15mm	95	65	14	8	35	21.3	12	4	4	10	R91.69
GFLS20-1600/4	20mm	105	75	14	8	45	26.9	14	4	4	10	R108.68
GFLS25-1600/4	25mm	115	85	14	8	52	33.7	14	4	4	10	R121.62
GFLS32-1600/4	32mm	140	100	18	10	60	42.4	18	6	4	10	R178.92
GFLS40-1600/4	40mm	150	110	18	10	70	48.3	17	6	4	10	R215.85
GFLS50-1600/4	50mm	165	125	18	12	85	60.3	19	6	4	10	R274.00
GFLS65-1600/4	65mm	185	145	18	12	105	76.1	23	6	4	10	R345.51
GFLS80-1600/4	80mm	200	160	18	14	118	88.9	25	8	8	10	R421.46
GFLS100-1600/4	100mm	220	180	18	14	140	114.3	31	8	8	10	R518.18
GFLS150-1600/4	150mm	285	240	22	18	195	165.0	37	10	8	10	R1 021.54

MING

FLANGE (WELD ON) - TABLE D

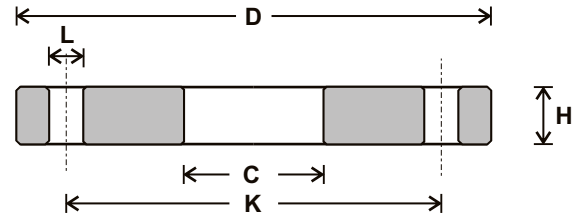
Temperature rating: 0°C - 350°C

Suitable Application.

- Water
- Gas
- Oil
- Petro-chemicals



Black Flanges



Working Pressure 10 BAR

CODE	SIZE	D	K	L	C	H	HOLES	BOX QTY	PRICE
GFL040-TD	40mm	133.4	98.4	14.3	50.0	6.3	4	10	R93.55
GFL050-TD	50mm	152.4	114.3	17.5	62.0	7.9	4	10	R104.53
GFL065-TD	65mm	165.1	127.0	17.5	78.0	7.9	4	10	R108.51
GFL080-TD	80mm	184.1	146.0	17.5	91.0	9.5	4	10	R153.24
GFL100-TD	100mm	215.9	177.8	17.5	116.0	9.5	4	10	R199.34
GFL125-TD	125mm	254.0	209.6	17.5	142.0	12.7	8	10	R338.48
GFL150-TD	150mm	279.4	235.0	17.5	168.3	12.7	8	10	R364.89
GFL200-TD	200mm	336.6	292.1	17.5	221.0	12.7	8	10	R498.50
GFL250-TD	250mm	406.4	355.6	22.2	276.0	15.9	8	10	R898.58
GFL300-TD	300mm	457.2	406.4	22.2	327.0	19.0	12	10	R1 122.00
GFL350-TD	350mm	527.1	469.9	25.4	359.0	22.2	12	10	R1 952.32

FLANGE (WELD ON) - TABLE 1600/3

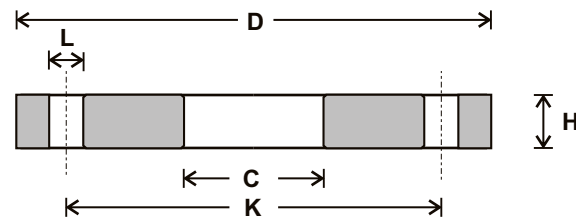
Temperature rating: 0°C - 350°C

Suitable Application.

- Water
- Gas
- Oil
- Petro-chemicals



Black Flanges



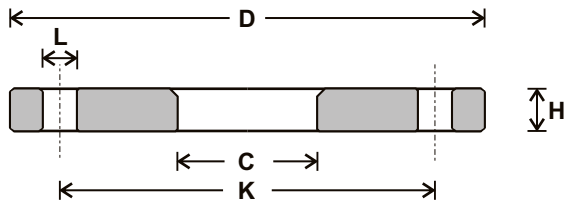
Working Pressure 16 BAR

CODE	SIZE	D	K	L	C	H	HOLES	BOX QTY	PRICE
GFL050-1600/3	50mm	165	125	18	62.0	12	4	10	R173.43
GFL065-1600/3	65mm	185	145	18	78.0	12	4	10	R196.64
GFL080-1600/3	80mm	200	160	18	91.0	14	8	10	R226.58
GFL100-1600/3	100mm	220	180	18	116.0	14	8	10	R247.10
GFL125-1600/3	125mm	250	210	18	142.0	16	8	10	R425.29
GFL150-1600/3	150mm	285	240	22	168.0	18	8	10	R487.00
GFL200-1600/3	200mm	340	295	22	221.0	22	12	10	R908.78
GFL250-1600/3	250mm	405	355	26	276.0	25	12	10	R1 142.00
GFL300-1600/3	300mm	460	410	26	327.0	28	12	10	R1 669.37
GFL350-1600/3	350mm	520	470	26	359.7	30	16	10	R2 416.70

MING

BACKING RING - TABLE D

**Used with
uPVC stubs**



Galvanised Plated

**Refer to page 153
for uPVC Stubs**

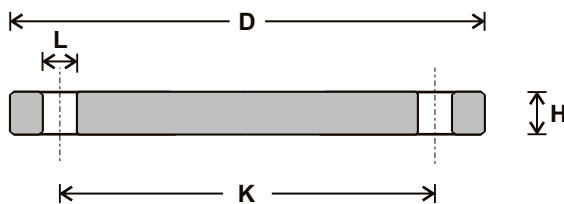
CODE	SIZE	D	K	L	C	H	HOLES	BOX QTY	PRICE
GFL040BR-TD	40mm	120.6	87.3	14	52	6	4	10	R80.00
GFL050BR-TD	50mm	133.3	98.4	14	63	6	4	10	R92.95
GFL063BR-TD	63mm	152.4	114.3	18	78	8	4	10	R107.00
GFL075BR-TD	75mm	165.1	127.0	18	92	8	4	10	R114.60
GFL090BR-TD	90mm	184.1	146.0	18	110	10	4	10	R154.65
GFL110BR-TD	110mm	215.9	177.8	18	135	10	4	10	R205.71
GFL125BR-TD	125mm	254.0	209.6	18	149	10	8	10	R319.35
GFL140BR-TD	140mm	254.0	209.6	18	167	13	8	10	R330.10
GFL160BR-TD	160mm	279.4	235.0	18	190	13	8	10	R366.28
GFL200BR-TD	200mm	336.6	292.0	18	236	13	8	10	R513.37
GFL250BR-TD	250mm	406.4	355.6	22	280	16	8	10	R996.16
GFL315BR-TD	315mm	457.2	406.4	22	340	19	12	10	R1 255.47

FLANGE (BLANK) - TABLE D

**Temperature rating: 0°C - 350°C
Suitable Application.**

- Water
- Gas
- Oil

- Petro-chemicals



CODE	SIZE	D	K	L	H	HOLES	BOX QTY	PRICE
GFLB015TD	15mm	95.3	66.7	14.3	4.8	4	10	R52.34
GFLB020TD	20mm	101.6	73.0	14.3	4.8	4	10	R46.83
GFLB025TD	25mm	114.3	82.6	14.3	4.8	4	10	R57.98
GFLB032TD	32mm	120.7	87.3	14.3	6.3	4	10	R65.96
GFLB040TD	40mm	133.4	98.4	14.3	6.3	4	10	R81.59
GFLB050TD	50mm	152.4	114.3	17.5	7.9	4	10	R117.54
GFLB065TD	65mm	165.1	127.0	17.5	7.9	4	10	R134.36
GFLB080TD	80mm	184.1	146.0	17.5	9.5	4	10	R182.77
GFLB100TD	100mm	215.9	177.8	17.5	9.5	4	10	R253.34
GFLB125TD	125mm	254.0	209.6	17.5	12.7	8	10	R453.13
GFLB150TD	150mm	279.4	235.0	17.5	12.7	8	10	R552.87
GFLB200TD	200mm	336.6	292.1	17.5	12.7	8	10	R811.20
GFLB250TD	250mm	406.4	355.6	22.2	15.9	8	10	R1 476.68
GFLB300TD	300mm	457.2	406.4	22.2	19	12	10	R2 220.76
GFLB350TD	350mm	527.1	469.9	25.4	22.2	12	10	R3 514.85
GFLB400TD	400mm	577.9	520.7	25.4	22.2	12	10	R4 244.88

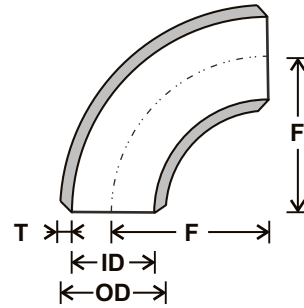
**MING BUTTWELD
FITTINGS (JIS)
FOR GENERAL PURPOSE APPLICATION**



**LEAK-PROOF PIPE FABRICATION
MEDIUM-HIGH PRESSURE
SYSTEMS**

MING

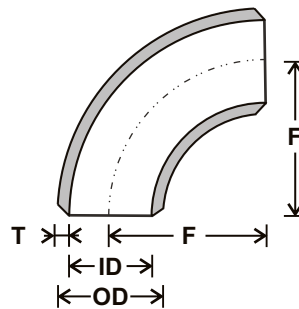
(JIS) 90° BEND SHORT RADIUS



**Temperature rating: 0°C - 350°C
Working Pressure 25 BAR**

CODE	SIZE	OD	ID	T	F	PRICE
GBWSE040090	40mm	48.6	41.6	3.5	38.1	R25.96
GBWSE050090	50mm	60.5	52.9	3.8	50.8	R44.28
GBWSE065090	65mm	76.3	67.9	4.2	63.5	R68.00
GBWSE080090	80mm	89.1	80.7	4.2	76.2	R90.00
GBWSE100090	100mm	114.3	105.3	4.5	101.6	R171.47
GBWSE125090	125mm	139.8	130.8	4.5	127.0	R280.93
GBWSE150090	150mm	165.2	155.2	5.0	152.4	R425.16
GBWSE200090	200mm	219.1	207.5	5.8	203.2	R907.24
GBWSE250090	250mm	267.4	254.2	6.6	254.0	R1 700.92
GBWSE300090	300mm	318.5	304.7	6.9	304.8	R2 654.20

(JIS) 90° BEND LONG RADIUS

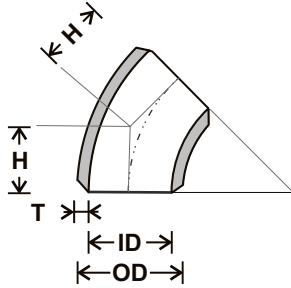


**Temperature rating: 0°C - 350°C
Working Pressure 25 BAR**

CODE	SIZE	OD	ID	T	F	PRICE
GBWLE040090	40mm	48.6	41.6	3.5	57.2	R30.94
GBWLE050090	50mm	60.5	52.9	3.8	76.2	R53.42
GBWLE065090	65mm	76.3	67.9	4.2	95.3	R87.91
GBWLE080090	80mm	89.1	80.7	4.2	114.3	R124.16
GBWLE100090	100mm	114.3	105.3	4.5	152.4	R227.00
GBWLE125090	125mm	139.8	130.8	4.5	190.5	R368.87
GBWLE150090	150mm	165.2	155.2	5.0	228.6	R571.43
GBWLE200090	200mm	219.1	207.5	5.8	304.8	R1 279.91
GBWLE250090	250mm	267.4	254.2	6.6	381.0	R2 275.29
GBWLE300090	300mm	318.5	304.7	6.9	381.2	R3 483.23
GBWLE350090	350mm	355.6	339.8	7.9	457.4	R5 016.00
GBWLE400090	400mm	406.4	390.6	7.9	538.6	R6 535.60

MING

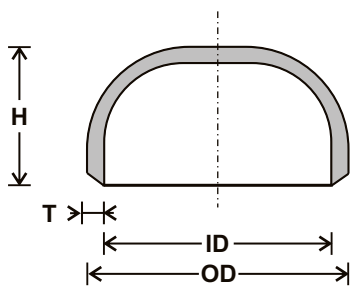
(JIS) 45° BEND



**Temperature rating: 0°C - 350°C
Working Pressure 25 BAR**

CODE	SIZE	OD	ID	T	H	PRICE
GBWLE040045	40mm	48.6	41.6	3.5	23.7	R17.98
GBWLE050045	50mm	60.5	52.9	3.8	31.6	R31.39
GBWLE065045	65mm	76.3	67.9	4.2	39.5	R51.00
GBWLE080045	80mm	89.1	80.7	4.2	47.3	R71.95
GBWLE100045	100mm	114.3	105.3	4.5	63.1	R133.48
GBWLE125045	125mm	139.8	130.8	4.5	78.9	R216.00
GBWLE150045	150mm	165.2	155.2	5.0	94.7	R330.00
GBWLE200045	200mm	219.1	207.5	5.8	126.3	R681.82
GBWLE250045	250mm	267.4	254.2	6.6	157.8	R1 213.88
GBWLE300045	300mm	318.5	304.7	6.9	189.4	R1 877.55
GBWLE350045	350mm	355.6	339.8	7.9	220.9	R2 710.70

(JIS) CAP

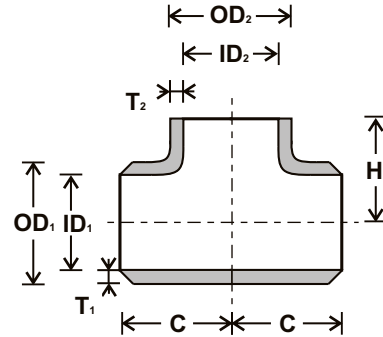


**Temperature rating: 0°C - 350°C
Working Pressure 25 BAR**

CODE	SIZE	OD	ID	T	H	PRICE
GBWC040	40mm	48.6	41.6	3.5	38.1	R15.71
GBWC050	50mm	60.5	52.9	3.8	38.1	R17.22
GBWC065	65mm	76.3	67.9	4.2	38.1	R27.87
GBWC080	80mm	89.1	80.7	4.2	50.8	R36.00
GBWC100	100mm	114.3	105.3	4.5	63.5	R67.27
GBWC150	150mm	165.2	155.2	5.0	88.9	R184.13
GBWC200	200mm	219.1	207.5	5.8	101.6	R367.94
GBWC250	250mm	267.4	254.2	6.6	127.0	R545.12
GBWC300	300mm	318.5	304.7	6.9	152.4	R839.75

MING

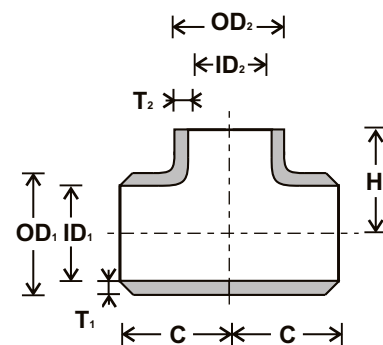
(JIS) EQUAL TEE



Temperature rating: 0°C - 350°C
Working Pressure 25 BAR

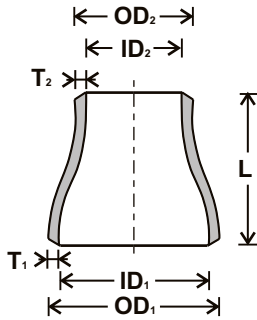
CODE	SIZE	OD	ID	T	C	H	PRICE
GBWET040	40mm	48.6	41.6	3.5	57.2	57.2	R66.84
GBWET050	50mm	60.5	52.9	3.8	63.5	63.5	R82.37
GBWET065	65mm	76.3	67.9	4.2	76.2	76.2	R142.22
GBWET080	80mm	89.1	80.7	4.2	85.7	85.7	R185.94
GBWET100	100mm	114.3	105.3	4.5	104.8	104.8	R305.33
GBWET125	125mm	139.8	130.8	4.5	123.8	123.8	R460.28
GBWET150	150mm	165.2	155.2	5.0	142.9	142.9	R645.72
GBWET200	200mm	216.3	204.7	5.8	177.8	177.8	R1 276.44
GBWET250	250mm	267.4	254.2	6.6	215.9	215.9	R2 194.55
GBWET300	300mm	318.5	304.7	6.9	254.0	254.0	R3 237.21
GBWET350	350mm	355.6	339.8	7.9	279.4	279.4	R4 311.44

(JIS) REDUCING TEE



Temperature rating: 0°C - 350°C
Working Pressure 25 BAR

CODE	SIZE	OD1 x OD2	ID1 x ID2	T1 x T2	C	H	PRICE
GBWRT050040	50mm x 40mm	60.5 x 48.6	52.9 x 41.6	3.8 x 3.5	63.5	60.3	R82.17
GBWRT065050	65mm x 50mm	76.3 x 60.5	67.9 x 52.9	4.2 x 3.8	76.2	69.9	R142.24
GBWRT080065	80mm x 65mm	89.1 x 76.3	80.7 x 67.9	4.2 x 4.2	85.7	82.6	R186.40
GBWRT100050	100mm x 50mm	114.3 x 60.5	105.3 x 52.9	4.5 x 3.8	104.8	88.9	R307.26
GBWRT100080	100mm x 80mm	114.3 x 89.1	105.3 x 80.7	4.5 x 4.2	104.8	98.4	R307.26
GBWRT150100	150mm x 100mm	165.2 x 114.3	155.2 x 105.3	5.0 x 4.5	142.9	130.2	R604.38
GBWRT200150	200mm x 150mm	216.3 x 165.2	204.7 x 155.2	5.8 x 5.0	177.8	155.6	R1 141.67
GBWRT250200	250mm x 200mm	267.4 x 216.3	260.8 x 210.5	6.6 x 5.8	215.9	203.2	R1 910.68



**Temperature rating: 0°C - 350°C
Working Pressure 25 BAR**

CODE	SIZE	OD1 x OD2	ID1 x ID2	T1 x T2	L	PRICE
GBWCR040015	40mm x 15mm	48.6 x 21.7	41.6 x 16.1	3.5 x 2.8	63.5	R49.90
GBWCR040020	40mm x 20mm	48.6 x 27.2	41.6 x 21.6	3.5 x 2.8	63.5	R39.93
GBWCR040025	40mm x 25mm	48.6 x 34.0	41.6 x 27.6	3.5 x 3.2	63.5	R33.89
GBWCR040032	40mm x 32mm	48.6 x 42.7	41.6 x 35.7	3.5 x 3.5	63.5	R29.46
GBWCR050020	50mm x 20mm	60.5 x 27.2	52.9 x 21.6	3.8 x 2.8	76.2	R60.37
GBWCR050025	50mm x 25mm	60.5 x 34.0	52.9 x 27.6	3.8 x 3.2	76.2	R51.00
GBWCR050032	50mm x 32mm	60.5 x 42.7	52.9 x 35.7	3.8 x 3.5	76.2	R44.91
GBWCR050040	50mm x 40mm	60.5 x 48.6	52.9 x 41.6	3.8 x 3.5	76.2	R42.17
GBWCR065025	65mm x 25mm	76.3 x 34.0	67.9 x 27.6	4.2 x 3.2	88.9	R102.19
GBWCR065032	65mm x 32mm	76.3 x 42.7	67.9 x 35.7	4.2 x 3.5	88.9	R82.83
GBWCR065040	65mm x 40mm	76.3 x 48.6	67.9 x 41.6	4.2 x 3.5	88.9	R69.61
GBWCR065050	65mm x 50mm	76.3 x 60.5	67.9 x 52.9	4.2 x 3.8	88.9	R64.60
GBWCR080032	80mm x 32mm	89.1 x 42.7	80.7 x 35.7	4.2 x 3.5	88.9	R103.77
GBWCR080040	80mm x 40mm	89.1 x 48.6	80.7 x 41.6	4.2 x 3.5	88.9	R93.27
GBWCR080050	80mm x 50mm	89.1 x 60.5	80.7 x 52.9	4.2 x 3.8	101.6	R82.22
GBWCR080065	80mm x 65mm	89.1 x 76.3	80.7 x 67.9	4.2 x 4.2	101.6	R71.20
GBWCR100050	100mm x 50mm	114.3 x 60.5	105.3 x 52.9	4.5 x 3.8	101.6	R142.22
GBWCR100065	100mm x 65mm	114.3 x 76.3	105.3 x 67.9	4.5 x 4.2	101.6	R131.69
GBWCR100080	100mm x 80mm	114.3 x 89.1	105.3 x 80.7	4.5 x 4.2	101.6	R120.11
GBWCR125065	125mm x 65mm	139.8 x 76.3	130.8 x 67.9	4.5 x 4.2	127.0	R239.27
GBWCR125080	125mm x 80mm	139.8 x 89.1	130.8 x 80.7	4.5 x 4.2	127.0	R217.21
GBWCR125100	125mm x 100mm	139.8 x 114.3	130.8 x 105.3	4.5 x 4.5	127.0	R205.61
GBWCR150065	150mm x 65mm	165.2 x 76.3	155.2 x 67.9	5.0 x 4.2	139.7	R347.24
GBWCR150080	150mm x 80mm	165.2 x 89.1	155.2 x 80.7	5.0 x 4.2	139.7	R304.75
GBWCR150100	150mm x 100mm	165.2 x 114.3	155.2 x 105.3	5.0 x 4.5	139.7	R271.62
GBWCR150125	150mm x 125mm	165.2 x 139.8	155.2 x 130.8	5.0 x 4.5	139.7	R261.70
GBWCR200080	200mm x 80mm	216.3 x 89.1	204.7 x 80.7	5.8 x 4.2	152.4	R600.00
GBWCR200100	200mm x 100mm	216.3 x 114.3	204.7 x 105.3	5.8 x 4.5	152.4	R475.99
GBWCR200125	200mm x 125mm	216.3 x 139.8	204.7 x 130.8	5.8 x 4.5	152.4	R443.41
GBWCR200150	200mm x 150mm	216.3 x 165.2	204.7 x 155.2	5.8 x 5.0	152.4	R410.28
GBWCR250125	250mm x 125mm	267.4 x 139.8	254.2 x 130.8	6.6 x 4.5	177.8	R870.41
GBWCR250150	250mm x 150mm	267.4 x 165.2	254.2 x 155.2	6.6 x 5.0	177.8	R794.20
GBWCR250200	250mm x 200mm	267.4 x 216.3	254.2 x 204.7	6.6 x 5.8	177.8	R740.10
GBWCR300150	300mm x 150mm	318.5 x 165.2	304.7 x 155.2	6.9 x 5.0	203.2	R1 188.45
GBWCR300200	300mm x 200mm	318.5 x 216.3	304.7 x 204.7	6.9 x 5.8	203.2	R1 100.66
GBWCR300250	300mm x 250mm	318.5 x 267.4	304.7 x 254.2	6.9 x 6.6	203.2	R1 024.51
GBWCR350200	350mm x 200mm	355.6 x 216.3	339.8 x 202.5	7.9 x 6.9	330.2	R2 315.70
GBWCR350250	350mm x 250mm	355.6 x 267.4	339.8 x 254.2	7.9 x 6.6	330.2	R2 097.00
GBWCR350300	350mm x 300mm	355.6 x 318.5	339.8 x 304.7	7.9 x 6.9	330.2	R1 988.85

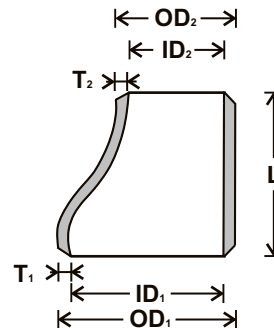
**MING BUTTWELD
FITTINGS (JIS)
FOR GENERAL PURPOSE APPLICATION**



**LEAK-PROOF PIPE FABRICATION
MEDIUM-HIGH PRESSURE
SYSTEMS**

MING

(JIS) ECCENTRIC REDUCER



Temperature rating: 0°C - 350°C
Working Pressure 25 BAR

CODE	SIZE	OD1 x OD2	ID1 x ID2	T1 x T2	L	PRICE
GBWER040015	40mm x 15mm	48.6 x 21.7	41.6 x 16.1	3.5 x 2.8	63.5	R66.44
GBWER040020	40mm x 20mm	48.6 x 27.2	41.6 x 21.6	3.5 x 2.8	63.5	R51.56
GBWER040025	40mm x 25mm	48.6 x 34.0	41.6 x 27.6	3.5 x 3.2	63.5	R42.17
GBWER040032	40mm x 32mm	48.6 x 42.7	41.6 x 35.7	3.5 x 3.5	63.5	R36.66
GBWER050020	50mm x 20mm	60.5 x 27.2	52.9 x 21.6	3.8 x 2.8	76.2	R78.60
GBWER050025	50mm x 25mm	60.5 x 34.0	52.9 x 27.6	3.8 x 3.2	76.2	R62.59
GBWER050032	50mm x 32mm	60.5 x 42.7	52.9 x 35.7	3.8 x 3.5	76.2	R57.07
GBWER050040	50mm x 40mm	60.5 x 48.6	52.9 x 41.6	3.8 x 3.5	76.2	R51.00
GBWER065025	65mm x 25mm	76.3 x 34.0	67.9 x 27.6	4.2 x 3.2	88.9	R156.82
GBWER065032	65mm x 32mm	76.3 x 42.7	67.9 x 35.7	4.2 x 3.8	88.9	R113.21
GBWER065040	65mm x 40mm	76.3 x 48.6	67.9 x 41.6	4.2 x 3.5	88.9	R91.66
GBWER065050	65mm x 50mm	76.3 x 60.5	67.9 x 52.9	4.2 x 3.5	88.9	R80.64
GBWER080032	80mm x 32mm	89.1 x 42.7	80.7 x 35.7	4.2 x 3.5	88.9	R174.97
GBWER080040	80mm x 40mm	89.1 x 48.6	80.7 x 41.6	4.2 x 3.5	88.9	R136.88
GBWER080050	80mm x 50mm	89.1 x 60.5	80.7 x 52.9	4.2 x 3.8	88.9	R109.84
GBWER080065	80mm x 65mm	89.1 x 76.3	80.7 x 67.9	4.2 x 4.2	88.9	R98.79
GBWER100050	100mm x 50mm	114.3 x 60.5	105.3 x 52.9	4.5 x 3.8	101.6	R195.74
GBWER100065	100mm x 65mm	114.3 x 76.3	105.3 x 67.9	4.5 x 4.2	101.6	R153.24
GBWER100080	100mm x 80mm	114.3 x 89.1	105.3 x 80.7	4.5 x 4.2	101.6	R131.69
GBWER125065	125mm x 65mm	139.8 x 76.3	130.8 x 67.9	4.5 x 4.2	127.0	R402.15
GBWER125080	125mm x 80mm	139.8 x 89.1	130.8 x 80.7	4.5 x 4.2	127.0	R325.97
GBWER125100	125mm x 100mm	139.8 x 114.3	130.8 x 105.3	4.5 x 4.5	127.0	R293.39
GBWER150065	150mm x 65mm	165.2 x 76.3	155.2 x 67.9	5.0 x 4.2	139.7	R543.81
GBWER150080	150mm x 80mm	165.2 x 89.1	155.2 x 80.7	5.0 x 4.2	139.7	R413.50
GBWER150100	150mm x 100mm	165.2 x 114.3	155.2 x 105.3	5.0 x 4.5	139.7	R358.85
GBWER150125	150mm x 125mm	165.2 x 139.8	155.2 x 130.8	5.0 x 4.5	139.7	R304.75
GBWER200080	200mm x 80mm	216.3 x 89.1	204.7 x 80.7	5.8 x 4.2	152.4	R823.36
GBWER200100	200mm x 100mm	216.3 x 114.3	204.7 x 105.3	5.8 x 4.5	152.4	R770.26
GBWER200125	200mm x 125mm	216.3 x 139.8	204.7 x 130.8	5.8 x 4.5	152.4	R716.14
GBWER200150	200mm x 150mm	216.3 x 165.2	204.7 x 155.2	5.8 x 5.0	177.8	R573.69
GBWER250125	250mm x 125mm	267.4 x 139.8	254.2 x 130.8	6.6 x 4.5	177.8	R1 359.54
GBWER250150	250mm x 150mm	267.4 x 165.2	254.2 x 155.2	6.6 x 5.0	177.8	R1 087.95
GBWER250200	250mm x 200mm	267.4 x 216.3	254.2 x 204.7	6.6 x 5.8	177.8	R923.96
GBWER300200	300mm x 200mm	318.5 x 216.3	304.7 x 204.7	6.9 x 5.8	203.2	R1 862.57
GBWER300250	300mm x 250mm	318.5 x 267.4	304.7 x 254.2	6.9 x 6.6	203.2	R1 318.78
GBWER350300	350mm x 300mm	355.6 x 318.5	339.8 x 304.7	7.9 x 6.9	330.2	R2 533.24

MALLEABLE FITTINGS

GALVANISED | BLACK | STAINLESS STEEL

KLEBOC SEALANT	Pg. 60 - 61
GALVANISED FITTINGS	Pg. 62 - 68
GALVANISED STAND PIPES	Pg. 69
BLACK FITTINGS	Pg. 70 - 74
STAINLESS STEEL FITTINGS	Pg. 75 - 77

KS934 FLEXIBLE JOINTING COMPOUND SEALANT

KS934 Flexible Jointing Compound Sealant is an oxidation curing product, which has a composition of raw materials that allow for a flexible cure.

This product is used in the sealing of the joining of various types of pipes and fittings.



CODE	SIZE	BOX QTY	PRICE
KC100	100ml	30	R116.97
KC250	250ml	30	R165.53
KC500	500ml	20	R267.36

BENEFITS:

- Flexible and durable sealing on joints allowing for expansion and contraction.
- Adheres excellently to steel and plastics.
- Environmentally friendly as it is non-toxic, non-flammable and non-solvent based.
- Non-corrosive to the material it is applied to.
- Seals and prevents leakage through the joint area.
- Withstands pressures in excess of 100 bar.
- Performs optimally between temperatures of -30°C and +250°C.

FOR USE ON:

- Pipes and fittings
- Galvanised steel, Stainless steel, Mild steel, Plastic, Nutec, Concrete, Rubber, PVC.
- Used mainly on threaded joints, however, also has excellent results on flat joints.
- Resists Water, Steam and LPG Gas.

DIRECTIONS FOR USE:

- Stir product well before use.
- Thoroughly clean surfaces with an oil-free cleaner.
- Apply onto ends of the pipes / fittings by using a stiff brush, or dipping ends into the tub.
- Screw / assemble the pipes / fittings while the product is in its uncured form.
- Full cure, prior to switch-on, is 24 hours.

CAUTION:

- Apply in ventilated area and avoid inhalation.
- Do not ingest.
- Keep out of reach of children.
- In case of skin contact, wash with soapy water.
- In case of eye contact, wash with water and seek medical professional advice.
- Consult MSDS for further precautionary information.

SPECIFICATION:

- Physical Form : Paste (pre-application) / Rubberised (cured state)
- Colour : Off Red/Brown
- Viscosity : 1500 – 2000 cps
- Penetration : 380 to 480 X1/10mm/100g/5sec Ip49
- Flash Point : ± 70°C
- Density @ 25°C : 100ml=160g / 1L=1.6kg
- Full curing Time : 24 hours
- Shelf life : 8 – 12 months depending on climate conditions
- Storage temperature : Optimal room temperature between 20°C to 25°C

NB: The manufacturer and distributors will not be held responsible the use of the product beyond their control.

Please ensure tests are made specific to your application.

KA336 MULTI LOCK
High strength and temperature threadlock, threadseal and retainer.

This product has been specially formulated and approved in Europa for a wide range of uses in automotive, agricultural, engineering and manufacturing industries. It is difficult to loosen and is therefore used to prevent loosening and leaking caused from extreme shock and vibration on implements, equipment, piping and machinery.

CERTIFIED RESISTANCE TO:

- Temperature
- Petrol
- Water
- Oils & Gs
- High Pressure
- Mild solvents
- Oxygen
- Vibration

SUITABLE FOR :

Brass, Zinc, Mild Steel - Cylindrical parts such as large diameter bearings, sleeves, shafts and housings.
It is also suitable for threaded parts such as medium to coarse pitch pipe ends and fittings, bolts, studs and nuts.

- Bolts
- Nuts
- Shafts
- Bearings
- Housings
- Pipe Fittings
- Engine sleeves.


PROPERTIES OF UNCURED MATERIAL

- NATURE : Methacrylic Anaerobic Resin
- APPLICATION : Retaining and Threadlocking
- STRENGTH : High
- COLOR : Green Liquid
- VISCOSITY 25°C : 1,500-2,500 mPa.s (Brookfield 20 rpm)
- SPECIFIC GRAVITY (g/ml) : 1,07
- FLASH POINT : >100°C
- SHELF LIFE : 16 months at temperature +5 ° C to +28 ° C.
- PRODUCT STORAGE : Cool and dry place

Technical data referring to test in according to ISO 10964 on M10 x 20 qly 8.8 zinc nut and bolt (bolt 0,8 h) - at 25°C. Break torque after 24 hours.

FEATURES OF CURED PRODUCT

- HANDLING CURE TIME (initial curing time M10 x 20 - h 0,8 mm)
 - BRASS : 3-5 minutes
 - ZINC : 8-12 minutes
 - STEEL : 9-15 minutes
- BREAKAWAY TORQUE ISO-10964 : 30-40 N.m
- PREVAILING TORQUE ISO-10964 : 28-34 N.m
- FUNCTIONAL CURE TIME : 3-6 hours
- FULL CURE TIME : 12-24 hours
- TEMPERATURE RANGE : -50°C +150°C
- MAX GAP FILL : 0,30 mm

CHEMICAL RESISTANCE

Test method ISO 10964 (tested at 22°C)
Breakaway torque % after immersion (pre torque 5 N.m).

	Temp°C	100 Hours	500 Hours	1000 Hours
Water / Glycol	85	100	90	110
Brake Fluid	22	100	105	105
Motor Oil	125	105	100	100
Acetone	22	100	95	100
Gasoline	22	115	110	110

CODE	SIZE	BOX QTY	PRICE
ML336	50ml	12	R272.11

MING

GALVANISED STEEL BORE HOLE BASE PLATES



CODE	SIZE	BOX QTY	PRICE
GBASE032	32mm	16	R167.00
GBASE040	40mm	16	R171.59
GBASE050	50mm	16	R181.81

CAST IRON BASE PLATES



Base plates manufactured from SG42 Cast Iron

CODE	SIZE	PRICE
SCBASE032	32mm	R1 066.37
SCBASE040	40mm	R1 093.36
SCBASE050	50mm	R1 120.38
SCBASE065	65mm	R1 147.37
SCBASE080	80mm	R1 187.87
SCBASE100	100mm	R1 214.89

ELBOW 90°

Temperature rating: 200°C
Suitable Application.

- Water
- Gas
- Oil
- Petro-chemicals



Maximum Pressure 16 BAR

CODE	SIZE	BOX QTY	PRICE	BOX QTY	B&T PRICE
GE008FF	8mm	800	R17.25	600	R18.96
GE010FF	10mm	500	R13.67	500	R15.00
GE015FF	15mm	400	R10.90	400	R11.96
GE020FF	20mm	210	R16.34	210	R17.85
GE025FF	25mm	120	R25.00	120	R27.32
GE032FF	32mm	64	R38.22	64	R40.66
GE040FF	40mm	48	R50.95	48	R54.18
GE050FF	50mm	32	R76.46	32	R81.32
GE065FF	65mm	16	R141.94	16	R147.00
GE080FF	80mm	10	R217.36	10	R225.14
GE100FF	100mm	6	R390.62	6	R404.72
GE150FF	150mm	2	R1 468.30	2	R1 522.42

CODE for the B&T always has "BT" after the "G" eg. GBTE015FF

ELBOW 90° m x f

Temperature rating: 200°C
Suitable Application.

- Water
- Gas
- Oil
- Petro-chemicals



Maximum Pressure 16 BAR

CODE	SIZE	BOX QTY	PRICE	BOX QTY	B&T PRICE
GE008MF	8mm	600	R14.53	600	R15.96
GE015MF	15mm	300	R13.29	300	R14.55
GE020MF	20mm	180	R19.46	180	R21.27
GE025MF	25mm	104	R29.15	104	R31.87
GE032MF	32mm	60	R50.78	60	R54.10
GE040MF	40mm	52	R62.00	52	R66.00
GE050MF	50mm	26	R90.20	26	R95.92
GE065MF	65mm	12	R200.67	12	R207.90
GE080MF	80mm	10	R304.60	10	R315.85
GE100MF	100mm	6	R479.54	6	R497.19

CODE for the B&T always has "BT" after the "G" eg. GBTE015MF

MING

BEND 90° f x f

Temperature rating: 200°C
Suitable Application.

- Water
- Gas
- Oil
- Petro-chemicals



Maximum Pressure 16 BAR

CODE	SIZE	BOX QTY	PRICE
GB015FF	15mm	220	R22.36
GB020FF	20mm	120	R34.44
GB025FF	25mm	70	R50.22
GB032FF	32mm	40	R80.86
GB040FF	40mm	20	R117.90
GB050FF	50mm	12	R181.89
GB065FF	65mm	8	R391.68
GB080FF	80mm	6	R530.77
GB100FF	100mm	2	R1 328.32

BEND 90° m x f

Temperature rating: 200°C
Suitable Application.

- Water
- Gas
- Oil
- Petro-chemicals



Maximum Pressure 16 BAR

CODE	SIZE	BOX QTY	PRICE	BOX QTY	B&T PRICE
GB015MF	15mm	280	R22.13	280	R24.27
GB020MF	20mm	150	R30.34	150	R33.21
GB025MF	25mm	80	R45.49	80	R49.75
GB032MF	32mm	50	R73.44	50	R78.27
GB040MF	40mm	24	R103.47	24	R110.00
GB050MF	50mm	12	R163.11	12	R173.18
GB065MF	65mm	8	R366.65	8	R380.17
GB080MF	80mm	6	R505.75	6	R524.43
GB100MF	100mm	2	R1 078.00	2	R1 116.60

CODE for the B&T always has "BT" after the "G" eg. GBTB015MF

ELBOW 45°

Temperature rating: 200°C
Suitable Application.

- Water
- Gas
- Oil
- Petro-chemicals



Maximum Pressure 16 BAR

CODE	SIZE	BOX QTY	PRICE	BOX QTY	B&T PRICE
GE015045	15mm	400	R11.88	400	R13.50
GE020045	20mm	240	R17.85	240	R19.56
GE025045	25mm	140	R27.42	140	R31.20
GE032045	32mm	96	R44.33	96	R47.23
GE040045	40mm	72	R54.76	72	R58.15
GE050045	50mm	36	R81.52	36	R86.75
GE065045	65mm	20	R172.55	20	R178.97
GE080045	80mm	12	R263.96	12	R273.73
GE100045	100mm	6	R457.00	6	R468.10

CODE for the B&T always has "BT" after the "G" eg. GBTE015045

REDUCING ELBOW 90°

Temperature rating: 200°C
Suitable Application.

- Water
- Gas
- Oil
- Petro-chemicals



Maximum Pressure 16 BAR

CODE	SIZE	BOX QTY	PRICE	BOX QTY	B&T PRICE
GRE020015	20mm x 15mm	270	R17.87	270	R25.61
GRE025015	25mm x 15mm	160	R26.94	160	R29.46
GRE025020	25mm x 20mm	160	R26.94	160	R29.46
GRE032020	32mm x 20mm	100	R42.92	100	R45.79
GRE032025	32mm x 25mm	90	R43.18	90	R46.00

CODE for the B&T always has "BT" after the "G" eg. GBTRE020015



MING

EQUAL TEE

Temperature rating: 200°C
Suitable Application.

- Water
- Gas
- Oil
- Petro-chemicals



Maximum Pressure 16 BAR

CODE	SIZE	BOX QTY	PRICE	BOX QTY	B&T PRICE
GET008	8mm	500	R16.44	400	R18.10
GET010	10mm	300	R15.48	300	R16.97
GET015	15mm	240	R14.38	240	R15.68
GET020	20mm	140	R20.52	140	R22.38
GET025	25mm	90	R32.35	90	R35.30
GET032	32mm	56	R49.12	56	R52.26
GET040	40mm	40	R63.52	40	R67.55
GET050	50mm	20	R98.39	20	R104.48
GET065	65mm	12	R213.54	12	R221.29
GET080	80mm	10	R278.11	10	R288.31
GET100	100mm	4	R519.11	4	R537.59

CODE for the B&T always has "BT" after the "G" eg. GBTSN015

CROSS

Temperature rating: 200°C
Suitable Application.

- Water
- Gas
- Oil
- Petro-chemicals



Maximum Pressure 16 BAR

CODE	SIZE	BOX QTY	PRICE	B&T QTY	B&T PRICE
GC015	15mm	200	R31.92	180	R34.97
GC020	20mm	96	R45.29	96	R49.60
GC025	25mm	72	R61.43	72	R67.24
GC032	32mm	36	R92.12	36	R98.11
GC040	40mm	30	R123.99	30	R132.15
GC050	50mm	12	R178.32	12	R189.47
GC065	65mm	10	R329.00	10	R341.25
GC080	80mm	6	R466.72	6	R483.87
GC100	100mm	2	R910.62	2	R934.48

CODE for the B&T always has "BT" after the "G" eg. GBTC015

REDUCING TEE

Temperature rating: 200°C
Suitable Application.

- Water
- Gas
- Oil
- Petro-chemicals



Maximum Pressure 16 BAR

CODE	SIZE	BOX QTY	PRICE	BOX QTY	B&T PRICE
GRT020015	20mm x 15mm	150	R25.23	150	R27.62
GRT025015	25mm x 15mm	100	R38.69	100	R42.32
GRT025020	25mm x 20mm	100	R38.69	100	R42.32
GRT032015	32mm x 15mm	64	R58.15	64	R61.98
GRT032020	32mm x 20mm	64	R58.15	64	R61.98
GRT032025	32mm x 25mm	64	R58.15	64	R61.98
GRT040015	40mm x 15mm	52	R73.54	52	R78.35
GRT040020	40mm x 20mm	52	R73.54	52	R78.35
GRT040025	40mm x 25mm	42	R74.57	42	R79.40
GRT040032	40mm x 32mm	42	R74.57	42	R79.40
GRT050015	50mm x 15mm	40	R103.85	40	R110.75
GRT050020	50mm x 20mm	40	R103.85	40	R110.75
GRT050025	50mm x 25mm	30	R105.76	30	R112.66
GRT050032	50mm x 32mm	30	R105.76	30	R112.66
GRT050040	50mm x 40mm	24	R107.70	24	R114.57
GRT065015	65mm x 15mm	24	R211.30	24	R219.85
GRT065025	65mm x 25mm	20	R213.23	20	R221.29
GRT065032	65mm x 32mm	16	R216.10	16	R224.19
GRT065040	65mm x 40mm	16	R216.10	16	R224.19
GRT065050	65mm x 50mm	16	R216.10	16	R322.17
GRT080020	80mm x 20mm	12	R306.84	12	R314.00
GRT080025	80mm x 25mm	12	R306.84	12	R314.00
GRT080032	80mm x 32mm	12	R306.84	12	R314.00
GRT080040	80mm x 40mm	12	R306.84	12	R314.00
GRT080050	80mm x 50mm	10	R310.66	10	R322.17
GRT080065	80mm x 65mm	10	R310.66	10	R322.17
GRT100020	100mm x 20mm	8	R575.58	8	R589.58
GRT100025	100mm x 25mm	8	R575.58	8	R589.58
GRT100032	100mm x 32mm	6	R585.17	6	R592.00
GRT100040	100mm x 40mm	6	R585.17	6	R592.00
GRT100050	100mm x 50mm	6	R585.17	6	R607.00
GRT100065	100mm x 65mm	6	R585.17	6	R607.00
GRT100080	100mm x 80mm	6	R585.17	6	R607.00

CODE for the B&T always has "BT" after the "G" eg. GBTRT020015

REDUCING SOCKET

Temperature rating: 200°C
Suitable Application.

- Water
- Gas
- Oil
- Petro-chemicals



Maximum Pressure 16 BAR

CODE	SIZE	BOX QTY	PRICE	BOX QTY	B&T PRICE
GRS015008	15mm x 8mm	500	R11.10	500	R12.16
GRS015010	15mm x 10mm	500	R10.50	500	R11.48
GRS020010	20mm x 10mm	350	R13.04	350	R14.40
GRS020015	20mm x 15mm	360	R15.21	360	R16.67
GRS025015	25mm x 15mm	200	R20.57	200	R22.48
GRS025020	25mm x 20mm	200	R20.57	200	R22.48
GRS032015	32mm x 15mm	144	R30.13	144	R32.15
GRS032020	32mm x 20mm	144	R30.13	144	R32.15
GRS032025	32mm x 25mm	120	R30.46	120	R32.48
GRS040015	40mm x 15mm	140	R35.60	140	R37.96
GRS040020	40mm x 20mm	140	R35.60	140	R37.96
GRS040025	40mm x 25mm	120	R35.87	120	R38.24
GRS040032	40mm x 32mm	100	R36.25	100	R38.62
GRS050015	50mm x 15mm	80	R54.43	80	R58.00
GRS050020	50mm x 20mm	80	R54.43	80	R58.00
GRS050025	50mm x 25mm	72	R54.76	72	R58.36
GRS050032	50mm x 32mm	72	R54.76	72	R58.36
GRS050040	50mm x 40mm	48	R56.34	48	R59.94
GRS065015	65mm x 15mm	60	R100.78	60	R104.65
GRS065020	65mm x 20mm	60	R100.78	60	R104.65
GRS065025	65mm x 25mm	60	R100.78	60	R104.65
GRS065032	65mm x 32mm	40	R100.78	60	R106.57
GRS065040	65mm x 40mm	40	R100.78	60	R106.57
GRS065050	65mm x 50mm	40	R102.69	40	R106.57
GRS080015	80mm x 15mm	40	R157.17	40	R163.87
GRS080020	80mm x 20mm	40	R157.17	40	R163.87
GRS080025	80mm x 25mm	40	R157.17	40	R163.87
GRS080032	80mm x 32mm	40	R157.17	40	R163.87
GRS080040	80mm x 40mm	40	R157.17	40	R163.87
GRS080050	80mm x 50mm	36	R157.80	36	R167.00
GRS080065	80mm x 65mm	24	R161.00	24	R168.50
GRS100015	100mm x 15mm	20	R290.00	20	R301.00
GRS100020	100mm x 20mm	20	R290.00	20	R301.00
GRS100025	100mm x 25mm	20	R290.00	20	R301.00
GRS100032	100mm x 32mm	20	R290.00	20	R301.00
GRS100040	100mm x 40mm	20	R290.00	20	R301.00
GRS100050	100mm x 50mm	16	R292.94	16	R304.00
GRS100065	100mm x 65mm	14	R295.00	14	R306.00
GRS100080	100mm x 80mm	12	R297.75	12	R308.00

CODE for the B&T always has "BT" after the "G" eg. GBTRS015008

SOCKET

Temperature rating: 200°C
Suitable Application.

- Water
- Gas
- Oil
- Petro-chemicals



Maximum Pressure 16 BAR

CODE	SIZE	BOX QTY	PRICE	BOX QTY	B&T PRICE
GS008	8mm	1 000	R10.30	800	R11.33
GS010	10mm	700	R9.19	700	R10.10
GS015	15mm	450	R9.10	450	R9.92
GS020	20mm	300	R11.71	300	R12.79
GS025	25mm	180	R19.51	180	R21.32
GS032	32mm	120	R28.10	120	R29.91
GS040	40mm	72	R34.82	72	R37.00
GS050	50mm	48	R54.00	48	R57.48
GS065	65mm	32	R99.24	32	R102.92
GS080	80mm	24	R143.22	24	R148.56
GS100	100mm	10	R241.66	10	R250.42
GS150	150mm	4	R645.85	N/A	N/A

CODE for the B&T always has "BT" after the "G" eg. GBTS015

STEEL SOCKET

Temperature rating: 200°C
Suitable Application.

- Water
- Gas
- Oil
- Petro-chemicals



Maximum Pressure 16 BAR

CODE	SIZE	BOX QTY	PRICE
GS15MMSOCKET	15mm	500	R10.57
GS20MMSOCKET	20mm	360	R13.70
GS25MMSOCKET	25mm	200	R23.54
GS32MMSOCKET	32mm	120	R33.89
GS40MMSOCKET	40mm	80	R39.62
GS50MMSOCKET	50mm	72	R55.18
GS65MMSOCKET	65mm	48	R96.63
GS80MMSOCKET	80mm	30	R120.47
GS100MMSOCKET	100mm	12	R215.67



MING

REDUCING BUSH m x f

Temperature rating: 200°C
Suitable Application.

- Water
- Gas
- Oil
- Petro-chemicals



Maximum Pressure 16 BAR

CODE	SIZE	BOX QTY	PRICE	BOX QTY	B&T PRICE
GRB010008	10mm x 8mm	1 800	R9.54	1800	R10.47
GRB015008	15mm x 8mm	900	R9.67	900	R10.60
GRB015010	15mm x 10mm	960	R9.04	960	R9.92
GRB020008	20mm x 8mm	800	R11.71	300	R13.22
GRB020010	20mm x 10mm	800	R11.78	300	R13.22
GRB020015	20mm x 15mm	800	R10.42	600	R11.40
GRB025015	25mm x 15mm	600	R15.81	300	R17.32
GRB025020	25mm x 20mm	300	R15.81	300	R17.32
GRB032015	32mm x 15mm	300	R24.97	200	R26.64
GRB032020	32mm x 20mm	200	R24.97	200	R26.64
GRB032025	32mm x 25mm	200	R24.97	200	R26.64
GRB040015	40mm x 15mm	200	R29.63	160	R31.59
GRB040020	40mm x 20mm	160	R29.63	160	R31.59
GRB040025	40mm x 25mm	160	R29.63	160	R31.59
GRB040032	40mm x 32mm	160	R29.63	160	R31.59
GRB050015	50mm x 15mm	160	R41.21	96	R43.88
GRB050020	50mm x 20mm	96	R41.21	96	R43.88
GRB050025	50mm x 25mm	96	R41.21	96	R43.88
GRB050032	50mm x 32mm	96	R41.21	96	R43.88
GRB050040	50mm x 40mm	96	R41.21	96	R43.88
GRB065020	65mm x 20mm	96	R68.50	68	R71.00
GRB065025	65mm x 25mm	68	R68.50	68	R71.00
GRB065032	65mm x 32mm	68	R68.50	68	R71.00
GRB065040	65mm x 40mm	68	R68.50	68	R71.00
GRB065050	65mm x 50mm	68	R68.50	68	R71.00
GRB080015	80mm x 15mm	68	R101.48	36	R105.31
GRB080020	80mm x 20mm	68	R101.48	36	R105.31
GRB080025	80mm x 25mm	36	R101.48	36	R105.31
GRB080032	80mm x 32mm	36	R101.48	36	R105.31
GRB080040	80mm x 40mm	36	R101.48	36	R105.31
GRB080050	80mm x 50mm	36	R101.48	36	R105.31
GRB080065	80mm x 65mm	36	R101.48	36	R208.00
GRB100015	100mm x 15mm	18	R200.52	18	R208.00
GRB100020	100mm x 20mm	18	R200.52	18	R208.00
GRB100025	100mm x 25mm	18	R200.52	18	R208.00
GRB100032	100mm x 32mm	18	R200.52	18	R208.00
GRB100040	100mm x 40mm	18	R200.52	18	R208.00
GRB100050	100mm x 50mm	18	R200.52	18	R208.00
GRB100065	100mm x 65mm	18	R200.52	18	R208.00
GRB100080	100mm x 80mm	18	R200.52	18	R208.00

CODE for the B&T always has "BT" after the "G" eg. GBTRB015008

UNION CONICAL

Temperature rating: 200°C
Suitable Application.

- Water
- Gas
- Oil
- Petro-chemicals



Maximum Pressure 16 BAR

CODE	SIZE	BOX QTY	PRICE	BOX QTY	B&T PRICE
GUC015	15mm	180	R48.24	180	R52.92
GUC020	20mm	120	R61.38	120	R67.32
GUC025	25mm	88	R71.47	88	R78.35
GUC032	32mm	56	R97.98	56	R104.55
GUC040	40mm	36	R131.57	36	R140.33
GUC050	50mm	28	R195.94	28	R209.08
GUC065	65mm	12	R332.00	12	R344.57
GUC080	80mm	10	R570.82	10	R592.70
GUC100	100mm	6	R1 039.44	6	R1 079.47

CODE for the B&T always has "BT" after the "G" eg. GBTUC015

ROUND CAPS (FEMALE)

Temperature rating: 200°C
Suitable Application.

- Water
- Gas
- Oil
- Petro-chemicals



Maximum Pressure 16 BAR

CODE	SIZE	BOX QTY	PRICE	BOX QTY	B&T PRICE
GRC010	10mm	1 200	R8.99	1200	R9.50
GRC015	15mm	700	R9.11	700	R9.99
GRC020	20mm	500	R11.10	500	R12.16
GRC025	25mm	360	R15.68	360	R17.19
GRC032	32mm	220	R22.99	220	R24.50
GRC040	40mm	160	R30.24	160	R32.25
GRC050	50mm	100	R42.37	100	R45.19
GRC065	65mm	60	R85.19	60	R88.47
GRC080	80mm	38	R118.70	38	R123.21
GRC100	100mm	20	R199.24	20	R206.76

CODE for the B&T always has "BT" after the "G" eg. GBTRC015

**LONGER LASTING
PIN HOLE FREE
TAPERED THREADS**



**GALVANISED
MALLEABLE FITTINGS**

MING

SWAGE NIPPLE (ADAPTOR)

**Temperature rating: 200°C
Suitable Application.**

- Water
- Gas
- Oil
- Petro-chemicals



Maximum Pressure 16 BAR

CODE	SIZE	BOX QTY	PRICE	BOX QTY	B&T PRICE
GSN015	15mm	350	R9.54	300	R10.65
GSN020	20mm	250	R11.71	250	R12.91
GSN025	25mm	160	R17.57	160	R18.81
GSN032	32mm	120	R24.67	100	R26.33
GSN040	40mm	80	R34.59	80	R35.80
GSN050	50mm	48	R49.80	48	R51.03
GSN065	65mm	24	R86.50	24	R87.71
GSN080	80mm	16	R125.22	16	R126.43
GSN100	100mm	10	R186.55	8	R194.18
GSN150	150mm	3	R581.12	3	R582.35

CODE for the B&T always has "BT" after the "G" eg. GBTSN015

JUNIOR JOHNSON COUPLING

**Temperature rating: 200°C
Suitable Application.**

- Water
- Gas
- Oil
- Petro-chemicals



Maximum Pressure 16 BAR

CODE	SIZE	BOX QTY	PRICE	BOX QTY	B&T PRICE
GJC015	15mm	100	R79.23	100	R80.59
GJC020	20mm	72	R93.15	72	R94.48
GJC025	25mm	50	R131.67	50	R133.00
GJC032	32mm	40	R163.00	40	R164.37
GJC040	40mm	24	R215.53	24	R216.86
GJC050	50mm	20	R271.77	20	R273.10

CODE for the B&T always has "BT" after the "G" eg. GBTJC015

HOLDERBAT

**Temperature rating: 200°C
Suitable Application.**

- Water
- Gas
- Oil
- Petro-chemicals



Maximum Pressure 16 BAR

CODE	SIZE	BOX QTY	PRICE	B&T PRICE	B&T PRICE
GH015	15mm	400	R41.77	400	R43.13
GH020	20mm	200	R55.89	200	R57.22
GH025	25mm	160	R89.00	160	R93.00
GH032	32mm	110	R100.17	110	R102.50
GH040	40mm	90	R104.07	90	R109.65
GH050	50mm	70	R143.80	70	R148.41

CODE for the B&T always has "BT" after the "G" eg. GBTH015

SWAGE / SWAGE COUPLING

**Temperature rating: 200°C
Suitable Application.**

- Water
- Gas
- Oil
- Petro-chemicals



Maximum Pressure 16 BAR

CODE	SIZE	BOX QTY	PRICE	BOX QTY	B&T PRICE
GSS015	15mm	500	R7.49	500	R7.99
GSS020	20mm	300	R10.59	300	R11.09
GSS025	25mm	200	R13.50	200	R14.00
GSS032	32mm	120	R21.92	120	R22.42
GSS040	40mm	80	R31.08	80	R31.58
GSS050	50mm	46	R50.42	46	R50.92
GSS065	65mm	24	R89.84	24	R90.34
GSS080	80mm	16	R132.49	16	R132.99
GSS100	100mm	11	R180.43	11	R180.93
GSS125	125mm	4	R501.05	4	R501.55
GSS150	150mm	3	R573.16	3	R573.66
GSS200	200mm	1	R1 313.10	1	R1 313.60

CODE for the B&T always has "BT" after the "G" eg. GBTSS015

LONG SCREW COMPLETE

**Temperature rating: 200°C
Suitable Application.**

- Water
- Gas
- Oil
- Petro-chemicals



Maximum Pressure 16 BAR

CODE	SIZE	BOX QTY	PRICE	BOX QTY	B&T PRICE
GLS015	15mm	140	R36.40	140	R37.74
GLS020	20mm	100	R47.18	100	R48.81
GLS025	25mm	70	R72.15	70	R73.51
GLS032	32mm	50	R103.55	50	R104.88
GLS040	40mm	36	R122.53	36	R123.89
GLS050	50mm	24	R190.73	24	R192.00

CODE for the B&T always has "BT" after the "G" eg. GBTSL015



MING

HOLLOW PLUGS

Temperature rating: 200°C
Suitable Application.

- Water
- Gas
- Oil
- Petro-chemicals



Maximum Pressure 16 BAR

CODE	SIZE	BOX QTY	PRICE	BOX QTY	B&T PRICE
GHP010	10mm	2 200	R7.60	2 200	R8.36
GHP015	15mm	1 400	R7.68	1 400	R8.41
GHP020	20mm	800	R9.10	800	R9.97
GHP025	25mm	500	R12.39	500	R13.57
GHP032	32mm	300	R18.96	300	R20.22
GHP040	40mm	200	R21.85	200	R23.29
GHP050	50mm	120	R32.00	120	R34.10
GHP065	65mm	72	R65.78	72	R68.28
GHP080	80mm	64	R91.24	64	R94.71
GHP100	100mm	36	R162.81	36	R169.10

CODE for the B&T always has "BT" after the "G" eg. GBTHP015

HEXAGON NIPPLE

Temperature rating: 200°C
Suitable Application.

- Water
- Gas
- Oil
- Petro-chemicals



Maximum Pressure 16 BAR

CODE	SIZE	BOX QTY	PRICE	BOX QTY	B&T PRICE
GHN010	10mm	1 000	R9.64	1000	R10.40
GHN015	15mm	600	R9.19	600	R10.10
GHN020	20mm	300	R12.69	300	R13.87
GHN025	25mm	200	R18.00	200	R19.74
GHN032	32mm	140	R26.10	140	R27.79
GHN040	40mm	104	R36.10	104	R38.39
GHN050	50mm	56	R50.45	56	R53.70
GHN065	65mm	36	R87.76	36	R91.00
GHN080	80mm	24	R147.25	24	R152.79
GHN100	100mm	12	R238.21	12	R246.94

CODE for the B&T always has "BT" after the "G" eg. GBTHN015

BACK NUT

Temperature rating: 200°C
Suitable Application.

- Water
- Gas
- Oil
- Petro-chemicals



Maximum Pressure 16 BAR

CODE	SIZE	BOX QTY	PRICE	BOX QTY	B&T PRICE
GBNUT015	15mm	700	R8.51	700	R9.34
GBNUT020	20mm	500	R8.66	500	R9.44
GBNUT025	25mm	400	R10.60	400	R11.58
GBNUT032	32mm	300	R13.92	300	R14.83
GBNUT040	40mm	240	R17.85	240	R19.00
GBNUT050	50mm	160	R27.72	160	R29.56
GBNUT065	65mm	60	R57.10	60	R59.19
GBNUT080	80mm	50	R87.18	50	R90.48
GBNUT100	100mm	40	R149.67	40	R155.43

CODE for the B&T always has "BT" after the "G" eg. GBTBUT015

BARREL NIPPLE

Temperature rating: 200°C
Suitable Application.

- Water
- Gas
- Oil
- Petro-chemicals



Maximum Pressure 16 BAR

CODE	SIZE	BOX QTY	PRICE	BOX QTY	B&T PRICE
GBN008	8mm	750	R4.91	750	R4.80
GBN010	10mm	650	R4.63	650	R5.00
GBN015	15mm	500	R6.22	500	R6.30
GBN020	20mm	350	R8.53	350	R9.67
GBN025	25mm	220	R12.00	220	R13.24
GBN032	32mm	110	R19.36	110	R20.82
GBN040	40mm	80	R25.00	80	R26.26
GBN050	50mm	60	R33.81	60	R35.00
GBN065	65mm	42	R51.48	42	R52.72
GBN080	80mm	24	R72.48	24	R73.69
GBN100	100mm	8	R128.97	8	R130.18
GBN150	150mm	6	R316.83	N/A	N/A

CODE for the B&T always has "BT" after the "G" eg. GBTBN015

**LONGER LASTING
PIN HOLE FREE
TAPERED THREADS**



STAND PIPES

Any length available on request



Maximum Pressure 16 BAR

CODE	SIZE	BOX QTY	PRICE
HR15X150	15mm x 150mm	10	R21.51
HR15X200	15mm x 200mm	10	R28.72
HR15X250	15mm x 250mm	10	R35.90
HR15X350	15mm x 350mm	10	R31.79
HR15X400	15mm x 400mm	10	R57.41
HR15X450	15mm x 450mm	10	R64.59
HR15X500	15mm x 500mm	10	R71.77
HR15X600	15mm x 600mm	10	R86.12
HR15X750	15mm x 750mm	10	R104.18
HR15X800	15mm x 800mm	10	R111.12
HR15X900	15mm x 900mm	10	R125.00
HR15X1000	15mm x 1000mm	10	R138.90
HR15X1200	15mm x 1200mm	10	R166.68
HR20X100	20mm x 100mm	10	R22.33
HR20X150	20mm x 150mm	10	R27.10
HR20X200	20mm x 200mm	10	R35.25
HR20X250	20mm x 250mm	10	R43.10
HR20X300	20mm x 300mm	10	R51.66
HR20X400	20mm x 400mm	10	R68.86
HR20X450	20mm x 450mm	10	R78.86
HR20X500	20mm x 500mm	10	R86.10
HR20X600	20mm x 600mm	10	R101.00
HR20X700	20mm x 700mm	10	R120.53
HR20X750	20mm x 750mm	10	R126.27
HR20X800	20mm x 800mm	10	R133.19
HR20X900	20mm x 900mm	10	R149.86
HR20X1000	20mm x 1000mm	10	R168.35
HR20X1200	20mm x 1200mm	10	R204.28
HR20X1500	20mm x 1500mm	10	R252.54
HR25X100	25mm x 100mm	10	R31.18
HR25X150	25mm x 150mm	10	R38.15
HR25X200	25mm x 200mm	10	R52.00
HR25X250	25mm x 250mm	10	R63.59
HR25X300	25mm x 300mm	10	R76.34
HR25X400	25mm x 400mm	10	R101.77
HR25X450	25mm x 450mm	10	R114.49
HR25X500	25mm x 500mm	10	R125.80
HR25X600	25mm x 600mm	10	R150.95
HR25X750	25mm x 750mm	10	R188.69
HR25X800	25mm x 800mm	10	R203.55
HR25X900	25mm x 900mm	10	R228.98
HR25X1000	25mm x 1000mm	10	R251.60
HR25X1200	25mm x 1200mm	10	R301.92
HR25X1500	25mm x 1500mm	10	R377.41
HR32X150	32mm x 150mm	5	R51.14
HR32X200	32mm x 200mm	5	R69.74
HR32X300	32mm x 300mm	5	R104.64
HR32X400	32mm x 400mm	5	R132.34
HR32X450	32mm x 450mm	5	R149.98
HR32X500	32mm x 500mm	5	R168.50
HR32X600	32mm x 600mm	5	R202.20
HR32X750	32mm x 750mm	5	R247.21
HR32X800	32mm x 800mm	5	R540.40
HR32X900	32mm x 900mm	5	R296.73
HR32X1000	32mm x 1000mm	5	R333.30
HR32X1200	32mm x 1200mm	5	R399.97

CODE	SIZE	BOX QTY	PRICE
HR40X150	40mm x 150mm	5	R49.88
HR40X200	40mm x 200mm	5	R67.49
HR40X300	40mm x 300mm	5	R101.25
HR40X400	40mm x 400mm	5	R135.00
HR40X450	40mm x 450mm	5	R151.88
HR40X500	40mm x 500mm	5	R168.76
HR40X600	40mm x 600mm	5	R202.49
HR40X700	40mm x 700mm	5	R236.25
HR40X750	40mm x 750mm	5	R253.13
HR40X800	40mm x 800mm	5	R262.10
HR40X900	40mm x 900mm	5	R294.83
HR40X1000	40mm x 1000mm	5	R327.56
HR40X1200	40mm x 1200mm	3	R393.00
HR50X200	50mm x 200mm	3	R113.05
HR50X300	50mm x 300mm	3	R169.58
HR50X400	50mm x 400mm	3	R220.48
HR50X450	50mm x 450mm	3	R248.00
HR50X500	50mm x 500mm	3	R262.71
HR50X600	50mm x 600mm	3	R318.95
HR50X700	50mm x 700mm	3	R363.58
HR50X750	50mm x 750mm	3	R389.54
HR50X800	50mm x 800mm	3	R425.26
HR50X900	50mm x 900mm	3	R467.46
HR50X1000	50mm x 1000mm	3	R519.38
HR50X1200	50mm x 1200mm	3	R623.27
HR50X1500	50mm x 1500mm	3	R779.00
HR65X150	65mm x 150mm	3	R117.33
HR65X200	65mm x 200mm	3	R156.40
HR65X300	65mm x 300mm	3	R234.64
HR65X400	65mm x 400mm	3	R293.77
HR65X450	65mm x 450mm	3	R330.52
HR65X500	65mm x 500mm	3	R354.58
HR65X600	65mm x 600mm	3	R440.64
HR65X750	65mm x 750mm	3	R550.80
HR65X800	65mm x 800mm	3	R594.00
HR65X900	65mm x 900mm	3	R638.24
HR65X1000	65mm x 1000mm	3	R709.16
HR65X1200	65mm x 1200mm	3	R850.99
HR80X150	80mm x 150mm	2	R141.98
HR80X200	80mm x 200mm	2	R189.30
HR80X300	80mm x 300mm	2	R283.96
HR80X400	80mm x 400mm	2	R354.29
HR80X450	80mm x 450mm	2	R398.56
HR80X500	80mm x 500mm	2	R416.76
HR80X600	80mm x 600mm	2	R512.00
HR80x700	80mm x 700mm	2	R541.45
HR80X750	80mm x 750mm	2	R580.13
HR80X800	80mm x 800mm	2	R666.84
HR80X900	80mm x 900mm	2	R750.18
HR80X1000	80mm x 1000mm	2	R833.52
HR80X1200	80mm x 1200mm	2	R1 019.19
HR80X1500	80mm x 1500mm	2	R1 274.73
HR100X150	100mm x 150mm	2	R184.15
HR100X200	100mm x 200mm	2	R260.48
HR100X300	100mm x 300mm	2	R390.71
HR100X400	100mm x 400mm	2	R490.96
HR100X450	100mm x 450mm	2	R540.25
HR100X500	100mm x 500mm	2	R593.79
HR100X600	100mm x 600mm	2	R736.44
HR100X750	100mm x 750mm	2	R920.67
HR100X800	100mm x 800mm	2	R960.41
HR100X1000	100mm x 1000mm	2	R1 224.91
HR100X1200	100mm x 1200mm	2	R1 472.88

MING

ELBOW 90°

Temperature rating: 200°C
Suitable Application.

- Water
- Gas
- Oil
- Petro-chemicals



Maximum Pressure 16 BAR

CODE	SIZE	BOX QTY	PRICE
UGE015	15mm	400	R10.41
UGE020	20mm	210	R15.62
UGE025	25mm	120	R23.94
UGE032	32mm	64	R36.66
UGE040	40mm	48	R48.86
UGE050	50mm	32	R73.31

ELBOW 90° m x f

Temperature rating: 200°C
Suitable Application.

- Water
- Gas
- Oil
- Petro-chemicals



Maximum Pressure 16 BAR

CODE	SIZE	BOX QTY	PRICE
UGE015MF	15mm	300	R11.82
UGE020MF	20mm	180	R17.32
UGE025MF	25mm	104	R26.00
UGE032MF	32mm	60	R45.30
UGE040MF	40mm	52	R55.28
UGE050MF	50mm	26	R80.85

ELBOW 45°

Temperature rating: 200°C
Suitable Application.

- Water
- Gas
- Oil
- Petro-chemicals



Maximum Pressure 16 BAR

CODE	SIZE	BOX QTY	PRICE
UGE015045	15mm	400	R13.66
UGE020045	20mm	240	R19.63
UGE025045	25mm	140	R30.93
UGE032045	32mm	96	R47.01
UGE040045	40mm	72	R60.87
UGE050045	50mm	36	R94.62

REDUCING ELBOW 90°

Temperature rating: 200°C
Suitable Application.

- Water
- Gas
- Oil
- Petro-chemicals



Maximum Pressure 16 BAR

CODE	SIZE	BOX QTY	PRICE
UGRE020015	20mm x 15mm	270	R17.10
UGRE025015	25mm x 15mm	160	R25.70
UGRE025020	25mm x 20mm	160	R25.70
UGRE032015	32mm x 15mm	100	R41.00
UGRE032020	32mm x 20mm	100	R41.00
UGRE032025	32mm x 25mm	90	R41.29
UGRE040015	40mm x 15mm	90	R51.00
UGRE040020	40mm x 20mm	90	R51.00
UGRE040025	40mm x 25mm	70	R51.84
UGRE040032	40mm x 32mm	56	R52.73
UGRE050015	50mm x 15mm	68	R74.96
UGRE050020	50mm x 20mm	52	R74.96
UGRE050025	50mm x 25mm	50	R76.27
UGRE050032	50mm x 32mm	40	R77.49
UGRE050040	50mm x 40mm	30	R79.57



CROSS

**Temperature rating: 200°C
Suitable Application.**

- Water
- Gas
- Oil
- Petro-chemicals



Maximum Pressure 16 BAR

CODE	SIZE	BOX QTY	PRICE
UGC015	15mm	180	R30.12
UGC020	20mm	96	R42.84
UGC025	25mm	72	R58.10
UGC032	32mm	36	R87.38
UGC040	40mm	30	R117.48
UGC050	50mm	12	R170.13

EQUAL TEE

**Temperature rating: 200°C
Suitable Application.**

- Water
- Gas
- Oil
- Petro-chemicals



Maximum Pressure 16 BAR

CODE	SIZE	BOX QTY	PRICE
UGET015	15mm	240	R13.66
UGET020	20mm	140	R19.63
UGET025	25mm	90	R30.93
UGET032	32mm	56	R47.00
UGET040	40mm	40	R60.87
UGET050	50mm	20	R94.62



ABNORMAL TEE

**Temperature rating: 200°C
Suitable Application.**

- Water
- Gas
- Oil
- Petro-chemicals



Maximum Pressure 16 BAR

CODE	SIZE	BOX QTY	PRICE
UGAT032025015	32mm x 25mm x 15mm	64	R53.25
UGAT032025025	32mm x 25mm x 25mm	68	R53.00
UGAT040032015	40mm x 32mm x 15mm	42	R68.43
UGAT040032020	40mm x 32mm x 20mm	40	R68.73
UGAT040032025	40mm x 32mm x 25mm	40	R68.73
UGAT040032032	40mm x 32mm x 32mm	36	R69.41
UGAT050040025	50mm x 40mm x 25mm	30	R95.76
UGAT050040032	50mm x 40mm x 32mm	36	R99.23



MING

REDUCING TEE

Temperature rating: 200°C
Suitable Application.

- Water
- Gas
- Oil
- Petro-chemicals



Maximum Pressure 16 BAR

CODE	SIZE	BOX QTY	PRICE
UGRT020015	20mm x 15mm	150	R24.10
UGRT025015	25mm x 15mm	100	R36.98
UGRT025020	25mm x 20mm	100	R36.98
UGRT032015	32mm x 15mm	64	R55.63
UGRT032020	32mm x 20mm	64	R55.63
UGRT032025	32mm x 25mm	64	R55.63
UGRT040015	40mm x 15mm	52	R70.33
UGRT040020	40mm x 20mm	52	R70.33
UGRT040025	40mm x 25mm	42	R71.47
UGRT040032	40mm x 32mm	42	R71.47
UGRT050015	50mm x 15mm	40	R99.31
UGRT050020	50mm x 20mm	40	R99.31
UGRT050025	50mm x 25mm	30	R101.37
UGRT050032	50mm x 32mm	30	R101.37
UGRT050040	50mm x 40mm	24	R103.43

SOCKET

Temperature rating: 200°C
Suitable Application.

- Water
- Gas
- Oil
- Petro-chemicals



Maximum Pressure 16 BAR

CODE	SIZE	BOX QTY	PRICE
UGS015	15mm	450	R8.65
UGS020	20mm	300	R11.22
UGS025	25mm	180	R18.65
UGS032	32mm	120	R26.79
UGS040	40mm	72	R33.32
UGS050	50mm	48	R51.76

UNION CONICAL

Temperature rating: 200°C
Suitable Application.

- Water
- Gas
- Oil
- Petro-chemicals



Maximum Pressure 16 BAR

CODE	SIZE	BOX QTY	PRICE
UGUC015	15mm	180	R32.45
UGUC020	20mm	120	R39.99
UGUC025	25mm	88	R49.42
UGUC032	32mm	56	R70.00
UGUC040	40mm	36	R94.27
UGUC050	50mm	28	R134.20



STEEL SOCKET BLACK

Temperature rating: 200°C
Suitable Application.

- Water
- Gas
- Oil
- Petro-chemicals



Maximum Pressure 16 BAR

CODE	SIZE	BOX QTY	PRICE
UG15MMSOCKET	15mm	500	R11.14
UG20MMSOCKET	20mm	360	R13.99
UG25MMSOCKET	25mm	200	R24.18
UG32MM SOCKET	32mm	120	R34.13
UG40MMSOCKET	40mm	80	R39.80
UG50MMSOCKET	50mm	72	R56.00

REDUCING BUSH

Temperature rating: 200°C
Suitable Application.

- Water
- Gas
- Oil
- Petro-chemicals



Maximum Pressure 16 BAR

CODE	SIZE	BOX QTY	PRICE
UGRB015008	15mm x 8mm	900	R8.57
UGRB015010	15mm x 10mm	960	R7.97
UGRB020015	20mm x 15mm	600	R9.25
UGRB025015	25mm x 15mm	300	R13.99
UGRB025020	25mm x 20mm	300	R13.99
UGRB032015	32mm x 15mm	200	R22.10
UGRB032020	32mm x 20mm	200	R22.10
UGRB032025	32mm x 25mm	200	R22.10
UGRB040015	40mm x 15mm	160	R26.30
UGRB040020	40mm x 20mm	160	R26.30
UGRB040025	40mm x 25mm	160	R26.30
UGRB040032	40mm x 32mm	160	R26.30
UGRB050015	50mm x 15mm	96	R36.63
UGRB050020	50mm x 20mm	96	R36.63
UGRB050025	50mm x 25mm	96	R36.63
UGRB050032	50mm x 32mm	96	R36.63
UGRB050040	50mm x 40mm	96	R36.63

REDUCING SOCKET

Temperature rating: 200°C
Suitable Application.

- Water
- Gas
- Oil
- Petro-chemicals



Maximum Pressure 16 BAR

CODE	SIZE	BOX QTY	PRICE
UGRS015010	15mm x 10mm	500	R9.81
UGRS020015	20mm x 15mm	360	R14.53
UGRS025015	25mm x 15mm	200	R19.63
UGRS025020	25mm x 20mm	200	R19.63
UGRS032015	32mm x 15mm	144	R28.77
UGRS032020	32mm x 20mm	144	R28.77
UGRS032025	32mm x 25mm	120	R29.12
UGRS040015	40mm x 15mm	140	R33.97
UGRS040020	40mm x 20mm	140	R33.97
UGRS040025	40mm x 25mm	120	R34.27
UGRS040032	40mm x 32mm	100	R34.68
UGRS050015	50mm x 15mm	80	R52.00
UGRS050020	50mm x 20mm	80	R52.00
UGRS050025	50mm x 25mm	72	R52.35
UGRS050032	50mm x 32mm	72	R52.35
UGRS050040	50mm x 40mm	48	R54.00

HOLLOW PLUG

Temperature rating: 200°C
Suitable Application.

- Water
- Gas
- Oil
- Petro-chemicals



Maximum Pressure 16 BAR

CODE	SIZE	BOX QTY	PRICE
UGHP015	15mm	1400	R6.81
UGHP020	20mm	800	R8.00
UGHP025	25mm	500	R10.95
UGHP032	32mm	300	R16.78
UGHP040	40mm	200	R19.36
UGHP050	50mm	120	R28.39

ROUND CAP (FEMALE)

Temperature rating: 200°C
Suitable Application.

- Water
- Gas
- Oil
- Petro-chemicals



Maximum Pressure 16 BAR

CODE	SIZE	BOX QTY	PRICE
UGRC015	15mm	700	R8.10
UGRC020	20mm	500	R9.81
UGRC025	25mm	360	R13.88
UGRC032	32mm	220	R20.39
UGRC040	40mm	160	R26.81
UGRC050	50mm	100	R37.58

MING

HEX NIPPLE

Temperature rating: 200°C
Suitable Application.

- Water
- Gas
- Oil
- Petro-chemicals



Maximum Pressure 16 BAR

CODE	SIZE	BOX QTY	PRICE
UGHN015	15mm	600	R8.11
UGHN020	20mm	300	R11.31
UGHN025	25mm	200	R16.00
UGHN032	32mm	140	R23.21
UGHN040	40mm	104	R32.00
UGHN050	50mm	56	R45.00

BACK NUT

Temperature rating: 200°C
Suitable Application.

- Water
- Gas
- Oil
- Petro-chemicals



Maximum Pressure 16 BAR

CODE	SIZE	BOX QTY	PRICE
UGBNUT015	15mm	700	R7.51
UGBNUT020	20mm	500	R7.67
UGBNUT025	25mm	400	R9.43
UGBNUT032	32mm	300	R12.34
UGBNUT040	40mm	240	R15.86
UGBNUT050	50mm	160	R24.62

BARREL NIPPLE

Temperature rating: 200°C
Suitable Application.

- Water
- Gas
- Oil
- Petro-chemicals



Maximum Pressure 16 BAR

CODE	SIZE	BOX QTY	PRICE
UGSBN015	15mm	500	R5.88
UGSBN020	20mm	300	R7.67
UGSBN025	25mm	200	R12.20
UGSBN032	32mm	100	R19.14
UGSBN040	40mm	80	R26.24
UGSBN050	50mm	60	R35.06
UGSBN065	65mm	42	R55.34
UGSBN080	80mm	24	R78.41
UGSBN100	100mm	8	R146.97



**LONGER LASTING
PIN HOLE FREE
TAPERED THREADS**



**STAINLESS STEEL
MALLEABLE FITTINGS
316 S/S**

MING

ELBOW 90°

**Temperature rating: 200°C
Suitable Application.**

- Water
- Gas
- Oil
- Petro-chemicals



Maximum Pressure 16 BAR

CODE	SIZE	BOX QTY	PRICE
SSE008FF	8mm	800	R26.94
SSE010FF	10mm	500	R28.70
SSE015FF	15mm	250	R41.79
SSE020FF	20mm	150	R56.97
SSE025FF	25mm	80	R91.10
SSE032FF	32mm	50	R173.89
SSE040FF	40mm	30	R169.45
SSE050FF	50mm	15	R309.38

ELBOW 45°

**Temperature rating: 200°C
Suitable Application.**

- Water
- Gas
- Oil
- Petro-chemicals



Maximum Pressure 16 BAR

CODE	SIZE	BOX QTY	PRICE
SSE015045	15mm	300	R48.39
SSE020045	20mm	150	R73.36
SSE025045	25mm	80	R111.48
SSE032045	32mm	50	R181.00
SSE040045	40mm	40	R236.32
SSE050045	50mm	20	R337.22

PARALLEL SOCKET

**Temperature rating: 200°C
Suitable Application.**

- Water
- Gas
- Oil
- Petro-chemicals



Maximum Pressure 16 BAR

CODE	SIZE	BOX QTY	PRICE
SS15MMSOCKET	15mm	500	R31.49
SS20MMSOCKET	20mm	300	R38.92
SS25MMSOCKET	25mm	200	R61.98
SS32MMSOCKET	32mm	120	R96.45
SS40MMSOCKET	40mm	96	R113.99
SS50MMSOCKET	50mm	54	R146.29

SOCKET

**Temperature rating: 200°C
Suitable Application.**

- Water
- Gas
- Oil
- Petro-chemicals



Maximum Pressure 16 BAR

CODE	SIZE	BOX QTY	PRICE
SSS008	8mm	300	R26.91
SSS010	10mm	300	R30.29
SSS015	15mm	300	R58.31
SSS020	20mm	200	R69.11
SSS025	25mm	200	R112.36
SSS032	32mm	100	R166.31
SSS040	40mm	96	R209.79
SSS050	50mm	48	R293.72

**STAINLESS STEEL
MALLEABLE FITTINGS
316 S/S**



**LONGER LASTING
PIN HOLE FREE
TAPERED THREADS**

MING

EQUAL TEE

Temperature rating: 200°C
Suitable Application.

- Water
- Gas
- Oil
- Petro-chemicals



Maximum Pressure 16 BAR

CODE	SIZE	BOX QTY	PRICE
SSET008	8mm	500	R37.00
SSET010	10mm	300	R41.00
SSET015	15mm	300	R59.77
SSET020	20mm	200	R78.92
SSET025	25mm	120	R119.83
SSET032	32mm	30	R195.64
SSET040	40mm	50	R237.43
SSET050	50mm	36	R365.12



SWAGE NIPPLE

Temperature rating: 200°C
Suitable Application.

- Water
- Gas
- Oil
- Petro-chemicals



Maximum Pressure 16 BAR

CODE	SIZE	BOX QTY	PRICE
SSSN015	15mm	200	R34.69
SSSN020	20mm	200	R51.41
SSSN025	25mm	100	R82.17
SSSN032	32mm	70	R139.57
SSSN040	40mm	40	R165.55
SSSN050	50mm	30	R250.27

REDUCING BUSH

Temperature rating: 200°C
Suitable Application.

- Water
- Gas
- Oil
- Petro-chemicals



Maximum Pressure 16 BAR

CODE	SIZE	BOX QTY	PRICE
SSRB010008	10mm x 8mm	600	R12.36
SSRB015008	15mm x 8mm	500	R24.17
SSRB015010	15mm x 10mm	500	R20.82
SSRB020015	20mm x 15mm	400	R37.00
SSRB025015	25mm x 15mm	250	R66.79
SSRB025020	25mm x 20mm	250	R56.19
SSRB032015	32mm x 15mm	150	R113.47
SSRB032020	32mm x 20mm	150	R106.79
SSRB032025	32mm x 25mm	150	R92.32
SSRB040015	40mm x 15mm	100	R156.29
SSRB040020	40mm x 20mm	100	R155.18
SSRB040025	40mm x 25mm	100	R141.23
SSRB040032	40mm x 32mm	100	R106.14
SSRB050025	50mm x 25mm	50	R251.58
SSRB050032	50mm x 32mm	50	R223.71
SSRB050040	50mm x 40mm	50	R189.75

UNION CONICAL

Temperature rating: 200°C
Suitable Application.

- Water
- Gas
- Oil
- Petro-chemicals



Maximum Pressure 16 BAR

CODE	SIZE	BOX QTY	PRICE
SSUC015	15mm	150	R98.99
SSUC020	20mm	100	R120.61
SSUC025	25mm	60	R182.27
SSUC032	32mm	30	R251.93
SSUC040	40mm	25	R308.27
SSUC050	50mm	18	R426.92

**LONGER LASTING
PIN HOLE FREE
TAPERED THREADS**



**STAINLESS STEEL
MALLEABLE FITTINGS
316 S/S**

MING

HEX NIPPLE

**Temperature rating: 200°C
Suitable Application.**
- Water
- Gas
- Oil
- Petro-chemicals



Maximum Pressure 16 BAR

CODE	SIZE	BOX QTY	PRICE
SSHN008	8mm	1000	R25.25
SSHN010	10mm	600	R25.33
SSHN015	15mm	250	R29.53
SSHN020	20mm	250	R41.24
SSHN025	25mm	250	R61.30
SSHN032	32mm	100	R105.00
SSHN040	40mm	100	R117.85
SSHN050	50mm	100	R175.22

HOLLOW PLUG

**Temperature rating: 200°C
Suitable Application.**
- Water
- Gas
- Oil
- Petro-chemicals



Maximum Pressure 16 BAR

CODE	SIZE	BOX QTY	PRICE
SSHP010	10mm	1500	R22.96
SSHP015	15mm	800	R25.83
SSHP020	20mm	500	R34.29
SSHP025	25mm	200	R49.75
SSHP032	32mm	150	R79.48
SSHP040	40mm	100	R93.30
SSHP050	50mm	100	R141.79

BARREL NIPPLE

**Temperature rating: 200°C
Suitable Application.**
- Water
- Gas
- Oil
- Petro-chemicals



Maximum Pressure 16 BAR

CODE	SIZE	BOX QTY	PRICE
SSBN008	8mm	1200	R19.00
SSBN010	10mm	800	R22.48
SSBN015	15mm	350	R35.52
SSBN020	20mm	200	R44.71
SSBN025	25mm	150	R62.21
SSBN032	32mm	80	R103.70
SSBN040	40mm	62	R122.00
SSBN050	50mm	30	R195.11

ROUND CAP (FEMALE)

**Temperature rating: 200°C
Suitable Application.**
- Water
- Gas
- Oil
- Petro-chemicals



Maximum Pressure 16 BAR

CODE	SIZE	BOX QTY	PRICE
SSRC010	10mm	1000	R20.22
SSRC015	15mm	500	R27.00
SSRC020	20mm	400	R34.34
SSRC025	25mm	250	R49.62
SSRC032	32mm	150	R75.58
SSRC040	40mm	100	R89.98
SSRC050	50mm	80	R133.76





MULTI RANGE FITTINGS

MULTI RANGE FITTINGS..... Pg. 80 - 82



MULTI RANGE COUPLING

NEW



MULTI RANGE FLANGED ADAPTOR

NEW



Multi Drilled TD/T10/T16

CODE	NOMINAL BORE	PIPE O.D. RANGE	PRICE
RCP48-58	40mm	48 - 58mm	R667.15
RCP59-73	50mm	59 - 73mm	R566.30
RCP72-85	65mm	72 - 85mm	R977.45
RCP88-103	80mm	88 - 103mm	R839.76
RCP98-118	100mm	98 - 118mm	R1 053.00
RCP108-128	100mm	108 - 128mm	R1 053.00
RCP132-154	125mm	132 - 154mm	R1 250.91
RCP150-170	150mm	150 - 170mm	R1 675.64
RCP159-182	150mm	159 - 182mm	R1 675.64
RCP180-194	150mm	180 - 194mm	R2 311.76
RCP192-209	200mm	192 - 209mm	R1 654.30
RCP205-222	200mm	205 - 222mm	R2 335.00
RCP218-235	200mm	218 - 235mm	R2 335.00
RCP235-252	250mm	235 - 252mm	R2 854.79
RCP250-267	250mm	250 - 267mm	R2 554.18
RCP260-274	250mm	260 - 274mm	R3 566.55
RCP271-289	250mm	271 - 289mm	R2 594.91
RCP286-304	250mm	286 - 304mm	R4 606.00
RCP302-318	300mm	302 - 318mm	R3 423.00
RCP315-332	300mm	315 - 332mm	R3423.00
RCP344-360	300mm	344 - 360mm	R5 100.61
RCP356-372	350mm	356 - 372mm	R5 335.27
RCP458-474	450mm	458 - 474mm	R8 058.18
RCP477-493	450mm	477 - 493mm	R8 071.76

CODE	NOMINAL BORE	PIPE O.D. RANGE	PRICE
RFL48-60	40mm	48 - 60mm	R764.63
RFL59-72	58mm	59 - 72mm	R795.00
RFL72-85	65mm	72 - 85mm	R848.29
RFL74-90	80mm	74 - 90mm	R990.32
RFL88-103	80mm	88 - 103mm	R869.69
RFL98-118	100mm	98 - 118mm	R1 243.25
RFL109-128	100mm	109 - 128mm	R1 050.63
RFL132-154	125mm	132 - 154mm	R1 789.97
RFL150-170	150mm	150 - 170mm	R1 754.95
RFL159-182	150mm	159 - 182mm	R1 521.47
RFL192-209	200mm	192 - 209mm	R1 879.47
RFL205-222	200mm	205 - 222mm	R2 319.18
RFL218-235	200mm	218 - 235mm	R2 120.73
RFL235-252	250mm	235 - 252mm	R2 819.20
RFL250-267	250mm	250 - 267mm	R2 679.12
RFL260-274	250mm	260 - 274mm	R3 186.93
RFL271-289	250mm	271 - 289mm	R2 906.76
RFL302-318	300mm	302 - 318mm	R4 521.62
RFL315-332	300mm	315 - 332mm	R3 786.18
RFL344-360	350mm	344 - 360mm	R6 216.26
RFL374-391	350mm	374 - 391mm	R6 562.58
RFL391-407	400mm	391 - 407mm	R6 905.00
RFL417-437	400mm	417 - 437mm	R6 901.11
RFL440-460	450mm	444 - 460mm	R7 599.59
RFL476-493	450mm	476 - 493mm	R7 414.76

MULTI RANGE S/S REPAIR CLAMP



NEW

CODE	NOMINAL BORE	PIPE O.D. RANGE	BAND WIDTH	PRICE
RRC45-55	40mm	45 - 55mm	150mm	R676.38
RRC59-67	50mm	59 - 67mm	150mm	R693.14
RRC69-76	65mm	69 - 76mm	150mm	R717.19
RRC75-83	65mm	75 - 83mm	150mm	R721.75
RRC87-93	80mm	87 - 93mm	150mm	R771.88
RRC95-104	80mm	95 - 104mm	200mm	R934.21
RRC104-113	100mm	104 - 113mm	200mm	R964.95
RRC113-120	100mm	113 - 120mm	200mm	R1 012.17
RRC121-130	100mm	121 - 130mm	200mm	R1 021.19
RRC126-136	100mm	126 - 136mm	200mm	R1 121.16
RRC136-142	125mm	130 - 142mm	200mm	R1 129.60
RRC145-155	125mm	145 - 155mm	200mm	R1 206.30
RRC157-163S	150mm	157 - 163mm(S)	200mm	R1 318.11
RRC157-163L	150mm	157 - 163mm(L)	300mm	R1 824.00
RRC165-176S	150mm	167 - 176mm (S)	200mm	R1 294.35
RRC165-176L	150mm	167 - 176mm (L)	300mm	R1 801.12
RRC174-183S	150mm	174 - 183mm (S)	200mm	R1 314.23
RRC174-183L	150mm	174 - 183mm (L)	300mm	R1 830.88
RRC179-189	150mm	179 - 189mm	200mm	R1 314.23
RRC188-199	150mm	188 - 199mm	200mm	R1 328.48
RRC195-205S	200mm	195 - 205mm (S)	200mm	R1 397.62
RRC195-205L	200mm	195 - 205mm (L)	300mm	R2 025.41
RRC202-212	200mm	202 - 212mm	200mm	R1 405.19
RRC218-228S	200mm	218 - 228mm (S)	200mm	R1 479.56
RRC218-228L	200mm	218 - 228mm (L)	300mm	R2 079.71
RRC229-238S	200mm	229 - 238mm (S)	200mm	R1 494.79
RRC229-238L	200mm	229 - 238mm (L)	300mm	R2 102.50
RRC236-245S	200mm	236 - 245mm (S)	200mm	R1 506.13
RRC236-245L	200mm	236 - 245mm (L)	300mm	R2 119.47
RRC248-257	225mm	248 - 257mm	300mm	R2 199.56
RRC258-268	225mm	254 - 264mm	300mm	R2 213.82
RRC271-281	250mm	271 - 281mm	300mm	R2 346.47
RRC281-291	250mm	281 - 291mm	300mm	R2 371.30
RRC294-304	250mm	298 - 309mm	300mm	R2 495.13
RRC304-314	250mm	304 - 314mm	300mm	R2 746.18
RRC310-320	300mm	312 - 322mm	300mm	R2 799.22
RRC320-330S	300mm	322 - 330mm (S)	300mm	R2 883.10
RRC320-330L	300mm	322 - 330mm (L)	400mm	R3 905.84
RRC327-337	300mm	331 - 337mm	400mm	R3 920.97
RRC342-352	350mm	342 - 356mm	400mm	R4 161.16
RRC353-363	350mm	356 - 365mm	400mm	R4 242.91





JUNIOR COUPLING



CODE	PIPE O.D. RANGE	BAND WIDTH	PRICE
RJC015	21.1-21.7mm	75mm	R309.72
RJC015L	21.1-21.7mm	150mm	R560.58
RJC020	26.6-27.2mm	75mm	R324.75
RJC020L	26.6-27.2mm	150mm	R595.78
RJC025	33.4-34.2mm	75mm	R337.36
RJC025L	33.4-34.2mm	150mm	R617.60
RJC032	42-42.8mm	75mm	R355.49
RJC032L	42-42.8mm	150mm	R653.87

NEW

MULTI RANGE S/S REPAIR CLAMP



CODE	NOMINAL BORE	PIPE O.D. RANGE	BAND WIDTH	2" OUTLET PRICE	3" OUTLET PRICE
RSC69-76	65mm	69 - 76mm	150mm	R3 344.71	
RSC75-83	65mm	75 - 83mm	150mm	R3 478.97	
RSC87-93	80mm	87 - 93mm	150mm	R3 911.61	R4 209.98
RSC95 -104	80mm	95 - 104mm	200mm	R4 189.09	R4 487.46
RSC104-113	100mm	104 - 113mm	300mm	R4 189.09	R4 487.46
RSC121 -130	100mm	121 - 130mm	300mm	R4 448.67	R4 747.04
RSC126 -136	100mm	126 - 136mm	300mm	R4 582.94	R4 881.31
RSC130- 142	125mm	130 - 142mm	300mm	R4 720.19	R5 018.55
RSC145 -155	125mm	145 - 155mm	300mm	R4 854.45	R5 018.55
RSC157-163	150mm	157 - 163mm	300mm	R5 492.96	R5 791.33
RSC167-176	150mm	167 - 176mm	300mm	R5 585.45	R5 883.82
RSC174-183	150mm	174 - 183mm	300mm	R5 585.45	R5 883.82
RSC179-189	150mm	179 - 189mm	200mm	R5 585.45	R5 883.82
RSC188-199	150mm	188 - 199mm	200mm	R5 585.45	R5 883.82
RSC195-205	200mm	195 - 205mm	300mm	R6 343.31	R6 641.68
RSC202-212	200mm	202 - 212mm	300mm	R6 343.31	R6 641.68
RSC218-228	200mm	218 - 228mm	300mm	R6 388.00	R6 686.43
RSC229-238	200mm	229 - 238mm	300mm	R6 388.00	R6 686.43
RSC236-245	200mm	236 - 245mm	300mm	R6 388.00	R6 686.43
RSC248-257	225mm	248 - 257mm	300mm	R6 811.75	R7 110.12
RSC254-264	225mm	254 - 264mm	300mm	R6 811.75	R7 110.12
RSC271-281	250mm	271 - 281mm	300mm	R6 811.75	R7 110.12
RSC281-291	250mm	281 - 291mm	300mm	R6 811.75	R7 110.12
RSC298-309	250mm	298 - 309mm	300mm	R7 092.21	R7 390.58
RSC304-314	250mm	304 - 314mm	300mm	R7 092.21	R7 390.58

NEW

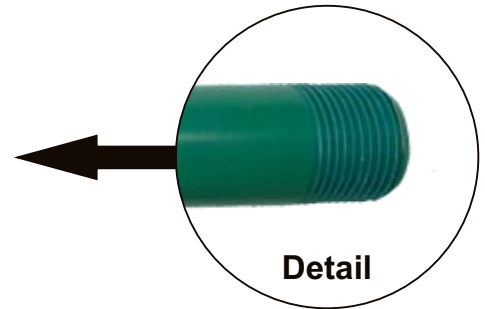


**IRRIGATION
UNLIMITED**

POLY PROP FITTINGS

PVC RISER PIPES	Pg. 84
DRIP & MICRO FITTINGS	Pg. 85
POLYPROP FITTINGS	Pg. 86 - 92
VANLOCK FITTINGS	Pg. 93 - 94

PVC RISER PIPES (EXTRUDED AND THREADED)



CODE	SIZE	BOX QTY	PRICE / EACH
PVCR15X100	15mm x 100mm	10	R6.18
PVCR15X150	15mm x 150mm	10	R6.18
PVCR15X200	15mm x 200mm	10	R7.32
PVCR15X250	15mm x 250mm	10	R8.02
PVCR15X300	15mm x 300mm	10	R9.58
PVCR15X400	15mm x 400mm	10	R11.19
PVCR15X450	15mm x 450mm	10	R14.16
PVCR15X500	15mm x 500mm	10	R15.77
PVCR15X600	15mm x 600mm	10	R16.70
PVCR15X750	15mm x 750mm	10	R19.21
PVCR15X900	15mm x 900mm	10	R24.22
PVCR15X1000	15mm x 1000mm	10	R24.22
PVCR15X1200	15mm x 1200mm	10	R27.19
PVCR20X100	20mm x 100mm	10	R6.85
PVCR20X150	20mm x 150mm	10	R6.85
PVCR20X200	20mm x 200mm	10	R8.68
PVCR20X250	20mm x 250mm	10	R9.82
PVCR20X300	20mm x 300mm	10	R11.42
PVCR20X400	20mm x 400mm	10	R14.16
PVCR20X450	20mm x 450mm	10	R15.30
PVCR20X500	20mm x 500mm	10	R16.90
PVCR20X600	20mm x 600mm	10	R19.44
PVCR20X700	20mm x 700mm	10	R24.22
PVCR20X750	20mm x 750mm	10	R24.22
PVCR20X1000	20mm x 1000mm	10	R30.16
PVCR20X1200	20mm x 1200mm	10	R34.50
PVCR20X1500	20mm x 1500mm	10	R43.19
PVCR25X100	25mm x 100mm	10	R9.82
PVCR25X150	25mm x 150mm	10	R10.52
PVCR25X200	25mm x 200mm	10	R12.36
PVCR25X250	25mm x 250mm	10	R15.53
PVCR25X300	25mm x 300mm	10	R16.00
PVCR25X400	25mm x 400mm	10	R20.11
PVCR25X450	25mm x 450mm	10	R22.61
PVCR25X500	25mm x 500mm	10	R24.92
PVCR25X600	25mm x 600mm	10	R28.79
PVCR25X750	25mm x 750mm	10	R35.68
PVCR25X1000	25mm x 1000mm	10	R49.37
PVCR25X1200	25mm x 1200mm	10	R53.95



**Please Note : ONLY packaging quantities will be invoiced
Price is per unit and not per pack**



**POLY PROP FITTINGS
INSERT FITTINGS
(6 BAR)**

DRIPPER COUPLING

ABS MATERIAL



NEW

CODE	SIZE	PACKAGING	PRICE/EACH
DC017	16mm x 17mm	50	R2.50

DRIPPER TEE

ABS MATERIAL



NEW

CODE	SIZE	PACKAGING	PRICE/EACH
DT017	16mm x 17mm	50	R8.50

DRIPPER ELBOW

ABS MATERIAL



NEW

CODE	SIZE	PACKAGING	PRICE/EACH
DE017	16mm x 17mm	50	R5.60

DRIPPER START CONNECTOR

ABS MATERIAL



NEW

CODE	SIZE	PACKAGING	PRICE/EACH
DSC017	16mm x 17mm	50	R5.10

SHRUB ADAPTOR GROMMET



NEW

CODE	SIZE	PACKAGING	PRICE/EACH
DG017	16mm	50	R4.10

DRIP REDUCING COUPLING



CODE	SIZE	PACKAGING	PRICE/EACH
DRC016012	16mm x 12mm	50	R2.37

DRIP SADDLE



(Use 8mm Punch)

CODE	SIZE	PACKAGING	PRICE/EACH
DS16X12	16mm x 12mm	50	R3.78
DS20X15	20mm x 15mm	50	R5.61

DRIP COUPLINGS



CODE	SIZE	PACKAGING	PRICE/EACH
DC012	12mm	50	R1.00
DC016	16mm	50	R1.83

DRIP TEE



CODE	SIZE	PACKAGING	PRICE/EACH
DT012	12mm	50	R1.71
DT016	16mm	50	R2.22

DRIP ENLARGING TEE



CODE	SIZE	PACKAGING	PRICE/EACH
DET012016	12mm x 12mm x 16mm	50	R2.22

**POLY PROP FITTINGS
INSERT FITTINGS
(6 BAR)**



**Please Note : ONLY packaging quantities will be invoiced
Price is per unit and not per pack**

RUBBER GROMMIT



CODE	SIZE	HOLE SIZE	PACKAGING	PRICE/EACH
RG012	12mm (4)	13.5mm	1000	R 3.63
RG015	15mm (5)	19.0mm	1000	R 4.11
RG020	20mm (6)	25.0mm	1000	R 4.25
RG025	25mm (8)	29.5mm	1000	R 4.50

TAP CONNECTOR



CODE	SIZE	PACKAGING	PRICE/EACH
NTC015	15mm	50	R8.24
NTC020	20mm	50	R9.32

MICRO PEG



CODE	SIZE	PACKAGING	PRICE/EACH
PEG400	400mm	250	R3.25
PEG450	450mm	250	R3.52

SHRUB ADAPTOR



CODE	SIZE	PACKAGING	PRICE/EACH
SA015	1/2" (15mm)	50	R6.42



**Please Note : ONLY packaging quantities will be invoiced
Price is per unit and not per pack**



**POLY PROP FITTINGS
INSERT FITTINGS
(6 BAR)**



**NEW AND IMPROVED
BARB TECHNOLOGY**

MALE ADAPTOR



CODE	SIZE	PACKAGING	PRICE / EACH
NMA012	12mm	50	R1.63
NMA015	15mm	50	R1.99
NMA020	20mm	50	R3.14
NMA025	25mm	25	R4.32
NMA032	32mm	25	R7.58
NMA040	40mm	25	R10.75
NMA050	50mm	5	R14.98
NMA065	65mm	5	R30.48
NMA080	80mm	5	R37.85

FEMALE ADAPTOR



CODE	SIZE	PACKAGING	PRICE / EACH
NFA015	15mm	50	R6.43
NFAL015	15mm long	50	R6.59
NFA020	20mm	50	R12.72
NFAL020	20mm long	50	R8.94
NFA025	25mm	25	R11.30
NFA032	32mm	25	R16.13
NFA040	40mm	20	R19.70

REDUCING MALE ADAPTOR



**Size reads
BSP first and
Hose tail second**

CODE	SIZE	PACKAGING	PRICE / EACH
NRMA015012	15mm x 12mm	50	R6.22
NRMA020012	20mm x 12mm	50	R1.66
NRMA020015	20mm x 15mm	50	R4.11
NRMA025020	25mm x 20mm	25	R4.11
NRMA032025	32mm x 25mm	25	R4.77
NRMA040032	40mm x 32mm	20	R7.88
NRMA040050	40mm x 50mm	20	R11.60
NRMA050040	50mm x 40mm	5	R20.85

**POLY PROP FITTINGS
INSERT FITTINGS
(6 BAR)**



**Please Note : ONLY packaging quantities will be invoiced
Price is per unit and not per pack**

REDUCING FEMALE ADAPTOR



**Size reads
BSP first and
Hose tail second**

CODE	SIZE	PACKAGING	PRICE / EACH
NRFA020015	20mm x15mm	50	R6.22

COUPLING



CODE	SIZE	PACKAGING	PRICE / EACH
NC012	12mm	50	R1.21
NC015	15mm	50	R1.63
NC020	20mm	50	R2.66
NC025	25mm	25	R2.93
NC032	32mm	25	R6.19
NC040	40mm	10	R6.53
NC050	50mm	5	R8.85
NC065	65mm	5	R22.57
NC080	80mm	5	R28.10

REDUCING COUPLING



CODE	SIZE	PACKAGING	PRICE / EACH
NRC015012	15mm x 12mm	50	R1.66
NRC020012	20mm x 12mm	50	R2.45
NRC020015	20mm x 15mm	50	R2.78
NRC025015	25mm x 15mm	50	R3.50
NRC025020	25mm x 20mm	25	R4.77
NRC032015	32mm x 15mm	25	R6.65
NRC032020	32mm x 20mm	25	R6.98
NRC032025	32mm x 25mm	25	R7.10
NRC040015	40mm x 15mm	25	R7.58
NRC040020	40mm x 20mm	25	R9.12
NRC040025	40mm x 25mm	25	R9.67
NRC040032	40mm x 32mm	25	R10.12
NRC050015	50mm x 15mm	10	R10.72
NRC050020	50mm x 20mm	10	R11.00
NRC050025	50mm x 25mm	10	R11.48
NRC050032	50mm x 32mm	10	R12.14
NRC050040	50mm x 40mm	10	R12.51
NRC065050	65mm x 50mm	5	R22.69
NRC080050	80mm x 50mm	5	R30.60
NRC080065	80mm x 65mm	5	R34.74

EQUAL TEE



CODE	SIZE	PACKAGING	PRICE / EACH
NET012	12mm	25	R2.57
NET015	15mm	25	R4.00
NET020	20mm	25	R6.00
NET025	25mm	25	R7.28
NET032	32mm	10	R17.16
NET040	40mm	5	R20.09
NET050	50mm	5	R26.00
NET065	65mm	5	R41.33
NET080	80mm	5	R52.11

**Please Note : ONLY packaging quantities will be invoiced
Price is per unit and not per pack**



**POLY PROP FITTINGS
INSERT FITTINGS
(6 BAR)**

REDUCING TEE



CODE	SIZE	PACKAGING	PRICE / EACH
NRT015012	15mm x 12mm	50	R3.72
NRT020015	20mm x 15mm	25	R6.86
NRT025015	25mm x 15mm	25	R7.64
NRT025020	25mm x 20mm	25	R8.82
NRT032015	32mm x 15mm	10	R16.16
NRT032020	32mm x 20mm	10	R17.19
NRT032025	32mm x 25mm	10	R17.67
NRT040015	40mm x 15mm	5	R22.51
NRT040020	40mm x 20mm	5	R24.17
NRT040025	40mm x 25mm	5	R24.92
NRT040032	40mm x 32mm	5	R26.59
NRT050015	50mm x 15mm	5	R27.73
NRT050020	50mm x 20mm	5	R28.25
NRT050025	50mm x 25mm	5	R28.55
NRT050032	50mm x 32mm	5	R29.15
NRT050040	50mm x 40mm	5	R29.76

MALE COMBINATION TEE



**Size reads
Hose tail first and
BSP second**

CODE	SIZE	PACKAGING	PRICE / EACH
NMCT015015	15mm x 15mm	25	R4.32
NMCT020015	20mm x 15mm	25	R5.41
NMCT020020	20mm x 20mm	25	R7.85
NMCT025015	25mm x 15mm	25	R10.27
NMCT025020	25mm x 20mm	25	R11.15
NMCT025025	25mm x 25mm	25	R11.42
NMCT032015	32mm x 15mm	10	R16.86
NMCT032020	32mm x 20mm	10	R17.16
NMCT032025	32mm x 25mm	10	R17.82
NMCT032032	32mm x 32mm	25	R18.88
NMCT040015	40mm x 15mm	10	R20.54
NMCT040020	40mm x 20mm	10	R21.45
NMCT040025	40mm x 25mm	10	R22.60
NMCT040032	40mm x 32mm	10	R23.11
NMCT040040	40mm x 40mm	10	R24.00
NMCT050015	50mm x 15mm	5	R29.18
NMCT050020	50mm x 20mm	5	R29.61
NMCT050025	50mm x 25mm	5	R30.81
NMCT050032	50mm x 32mm	5	R31.57
NMCT050040	50mm x 40mm	5	R31.57
NMCT050050	50mm x 50mm	5	R32.33



**POLY PROP FITTINGS
INSERT FITTINGS
(6 BAR)**



**Please Note : ONLY packaging quantities will be invoiced
Price is per unit and not per pack**

MALE COMBINATION ELBOW



**Size reads
Hose tail first and
BSP second**

CODE	SIZE	PACKAGING	PRICE / EACH
NMCE015015	15mm x 15mm	50	R3.29
NMCE020015	20mm x 15mm	25	R4.98
NMCE020020	20mm x 20mm	25	R5.89
NMCE025015	25mm x 15mm	25	R9.00
NMCE025020	25mm x 20mm	25	R9.91
NMCE025025	25mm x 25mm	25	R10.88
NMCE032032	32mm x 32mm	25	R12.63
NMCE040040	40mm x 40mm	20	R14.00
NMCE040050	40mm x 50mm	5	R23.84
NMCE050040	50mm x 40mm	5	R21.30
NMCE050050	50mm x 50mm	5	R21.40

FEMALE COMBINATION TEES



**Size reads
Hose tail first and
BSP second**

CODE	SIZE	PACKAGING	PRICE / EACH
NFCT015015	15mm x 15mm	25	R6.77
NFCT020015	20mm x 15mm	25	R9.37
NFCT020020	20mm x 20mm	25	R10.12
NFCT025015	25mm x 15mm	25	R11.00
NFCT025020	25mm x 20mm	25	R14.44
NFCT025025	25mm x 25mm	25	R16.00
NFCT032015	32mm x 15mm	20	R20.63
NFCT032020	32mm x 20mm	20	R21.00
NFCT032025	32mm x 25mm	20	R21.75
NFCT032032	32mm x 32mm	10	R24.26
NFCT040015	40mm x 15mm	10	R26.13
NFCT040020	40mm x 20mm	10	R26.62
NFCT040025	40mm x 25mm	10	R27.79
NFCT040032	40mm x 32mm	10	R28.49
NFCT040040	40mm x 40mm	5	R30.21
NFCT050020	50mm x 20mm	5	R34.74
NFCT050025	50mm x 25mm	5	R36.25
NFCT050032	50mm x 32mm	5	R38.67
NFCT050040	50mm x 40mm	5	R39.88
NFCT050050	50mm x 50mm	5	R41.10

FEMALE COMBINATION ELBOW




**Size reads
Hose tail first and
BSP second**


CODE	SIZE	PACKAGING	PRICE / EACH
NFCE015015	15mm x 15mm	50	R7.10
NFCE020015	20mm x 15mm	25	R8.46
NFCE020020	20mm x 20mm	25	R9.67
NFCE025020	25mm x 20mm	25	R16.62
NFCE025025	25mm x 25mm	25	R17.16
NFCE032032	32mm x 32mm	10	R21.99
NFCE040040	40mm x 40mm	10	R25.62
NFCE040050	40mm x 50mm	10	R28.70
NFCE050040	50mm x 40mm	5	R35.53
NFCE050050	50mm x 50mm	5	R33.23


**Please Note : ONLY packaging quantities will be invoiced
Price is per unit and not per pack**





**POLY PROP FITTINGS
INSERT FITTINGS
(6 BAR)**

ELBOW	CODE	SIZE	PACKAGING	PRICE / EACH
	NE012	12mm	50	R2.00
	NE015	15mm	50	R3.14
	NE020	20mm	25	R4.26
	NE025	25mm	25	R5.41
	NE032	32mm	25	R11.66
	NE040	40mm	20	R14.62
	NE050	50mm	5	R16.46
	NE065	65mm	5	R31.24
	NE080	80mm	5	R46.77

END PLUG	CODE	SIZE	PACKAGING	PRICE / EACH
	NEP012	12mm	50	R1.10
	NEP015	15mm	50	R1.39
	NEP020	20mm	50	R2.10
	NEP025	25mm	25	R2.90
	NEP032	32mm	25	R3.81
	NEP040	40mm	25	R5.86
	NEP050	50mm	10	R8.46
	NEP065	65mm	5	R16.86
	NEP080	80mm	5	R22.69

BARREL (HEX) NIPPLE	CODE	SIZE	PACKAGING	PRICE / EACH
	NBN015	15mm	50	R2.99
	NBN020	20mm	50	R5.83
	NBN025	25mm	25	R8.64
	NBN032	32mm	25	R13.53
	NBN040	40mm	10	R17.98
	NBN050	50mm	5	R24.98

REDUCING BARREL (HEX) NIPPLE	CODE	SIZE	PACKAGING	PRICE / EACH
	NRBN020015	20mm x 15mm	50	R5.62
	NRBN025015	25mm x 15mm	25	R8.40
	NRBN025020	25mm x 20mm	25	R9.00
	NRBN032025	32mm x 25mm	25	R14.00
	NRBN040020	40mm x 20mm	5	R20.54
	NRBN040025	40mm x 25mm	5	R20.70
	NRBN040032	40mm x 32mm	5	R21.48
	NRBN050015	50mm x 15mm	5	R24.50
	NRBN050040	50mm x 40mm	5	R25.89

SOCKET	CODE	SIZE	PACKAGING	PRICE / EACH
	NS015	15mm	50	R7.58
	NS020	20mm	25	R9.94
	NS025	25mm	25	R12.81
	NS032	32mm	25	R29.61
	NS040	40mm	20	R33.00
	NS050	50mm	5	R42.14

**POLY PROP FITTINGS
INSERT FITTINGS
(6 BAR)**



**Please Note : ONLY packaging quantities will be invoiced
Price is per unit and not per pack**

REDUCING SOCKET



CODE	SIZE	PACKAGING	PRICE / EACH
NRS020015	20mm x 15mm	50	R11.24
NRS025015	25mm x 15mm	25	R12.11
NRS025020	25mm x 20mm	25	R12.42
NRS032015	32mm x 15mm	20	R19.94
NRS032020	32mm x 20mm	20	R20.75
NRS032025	32mm x 25mm	20	R21.78
NRS040015	40mm x 15mm	10	R25.07
NRS040020	40mm x 20mm	10	R25.98
NRS040025	40mm x 25mm	10	R26.95
NRS040032	40mm x 32mm	10	R27.19
NRS050015	50mm x 15mm	5	R29.61
NRS050020	50mm x 20mm	5	R30.97
NRS050025	50mm x 25mm	5	R31.72
NRS050032	50mm x 32mm	5	R32.63
NRS050040	50mm x 40mm	5	R33.99

MALE BSP PLUG (THREADED PLUGS)



CODE	SIZE	PACKAGING	PRICE / EACH
NBP015	15mm	50	R1.66
NBP020	20mm	50	R2.87
NBP025	25mm	25	R3.63
NBP032	32mm	25	R6.86
NBP040	40mm	10	R10.51
NBP050	50mm	5	R11.33

FEMALE BSP PLUG (THREADED CAPS)



CODE	SIZE	PACKAGING	PRICE / EACH
NFBP015	15mm	50	R5.83
NFBP020	20mm	50	R11.30
NFBP025	25mm	25	R14.14
NFBP050	50mm	25	R25.38

REDUCING BUSH



CODE	SIZE	PACKAGING	PRICE / EACH
NRB020015	20mm x 15mm	50	R4.80
NRB025015	25mm x 15mm	25	R6.77
NRB025020	25mm x 20mm	25	R7.46
NRB032015	32mm x 15mm	25	R10.57
NRB032020	32mm x 20mm	25	R10.70
NRB032025	32mm x 25mm	25	R10.90
NRB040015	40mm x 15mm	20	R14.56
NRB040020	40mm x 20mm	20	R15.53
NRB040025	40mm x 25mm	20	R16.56
NRB040032	40mm x 32mm	20	R16.70
NRB050015	50mm x 15mm	10	R21.54
NRB050020	50mm x 20mm	10	R21.09
NRB050025	50mm x 25mm	10	R21.50
NRB050032	50mm x 32mm	10	R19.79
NRB050040	50mm x 40mm	10	R19.90

Please Note : ONLY packaging quantities will be invoiced
Price is per unit and not per pack



POLY PROP FITTINGS
VANLOCK
(6 BAR)

COMING SOON

NEW & IMPROVED
VANLOCK PLUS

VANLOCK EQUAL TEE



CODE	SIZE	PACKAGING	PRICE / EACH
FFET015	15mm	20	R13.58
FFET020	20mm	20	R20.04
FFET025	25mm	20	R28.45

VANLOCK REDUCING TEE



CODE	SIZE	PACKAGING	PRICE / EACH
FFRT020015	20mm x 15mm	20	R18.17
FFRT025015	25mm x 15mm	20	R25.21
FFRT025020	25mm x 20mm	20	R28.45

VANLOCK FEMALE TEE



CODE	SIZE	PACKAGING	PRICE/EACH
FFFT015015	15mm x 15mm	20	R18.75
FFFT020015	20mm x 15mm	20	R25.21
FFFT020020	20mm x 20mm	20	R25.21
FFFT025015	25mm x 15mm	20	R33.29
FFFT025020	25mm x 20mm	20	R34.91
FFFT025025	25mm x 25mm	20	R33.00

VANLOCK MALE TEE



CODE	SIZE	PACKAGING	PRICE/EACH
FFMT015015	15mm x 15mm	20	R14.00
FFMT020015	20mm x 15mm	20	R17.23
FFMT020020	20mm x 20mm	20	R21.50
FFMT025015	25mm x 15mm	20	R27.48
FFMT025020	25mm x 20mm	20	R27.90
FFMT025025	25mm x 25mm	20	R31.00

VANLOCK ELBOW



CODE	SIZE	PACKAGING	PRICE / EACH
FFE015	15mm	20	R11.96
FFE020	20mm	20	R14.55
FFE025	25mm	20	R21.33

POLY PROP FITTINGS
VANLOCK
(6 BAR)



Please Note : ONLY packaging quantities will be invoiced
Price is per unit and not per pack

VANLOCK REDUCING ELBOW



CODE	SIZE	PACKAGING	PRICE / EACH
FFRE025015	25mm x 15mm	20	R19.40
FFRE025020	25mm x 20mm	20	R20.00

VANLOCK FEMALE ELBOW



CODE	SIZE	PACKAGING	PRICE / EACH
FFFE015015	15mm x 15mm	20	R15.68
FFFE020015	20mm x 15mm	20	R19.40
FFFE020020	20mm x 20mm	20	R20.69
FFFE025015	25mm x 15mm	20	R24.24
FFFE025020	25mm x 20mm	20	R26.18
FFFE025025	25mm x 25mm	20	R27.80

VANLOCK MALE ELBOW



CODE	SIZE	PACKAGING	PRICE / EACH
FFME015015	15mm x 15mm	20	R11.96
FFME020015	20mm x 15mm	20	R12.40
FFME020020	20mm x 20mm	20	R15.13
FFME025015	25mm x 15mm	20	R17.13
FFME025020	25mm x 20mm	20	R18.26
FFME025025	25mm x 25mm	20	R20.36

VANLOCK COUPLING



CODE	SIZE	PACKAGING	PRICE / EACH
FFC015	15mm	20	R8.21
FFC020	20mm	20	R9.54
FFC025	25mm	20	R14.38

VANLOCK REDUCING COUPLING



CODE	SIZE	PACKAGING	PRICE / EACH
FFRC020015	20mm x 15mm	20	R11.64
FFRC025015	25mm x 15mm	20	R12.28
FFRC025020	25mm x 20mm	20	R13.25

VANLOCK PLUG



CODE	SIZE	PACKAGING	PRICE / EACH
FFP015	15mm	20	R11.50
FFP020	20mm	20	R12.40
FFP025	25mm	20	R14.50

VANLOCK MALE ADAPTOR

Size reads Vanlock first & BSP second



CODE	SIZE	PACKAGING	PRICE / EACH
FFMA015015	15mm x 15mm	20	R8.53
FFMA015020	15mm x 20mm	20	R10.34
FFMA020015	20mm x 15mm	20	R12.10
FFMA020020	20mm x 20mm	20	R12.28
FFMA020025	20mm x 25mm	20	R14.00
FFMA025015	25mm x 15mm	20	R12.28
FFMA025020	25mm x 20mm	20	R12.50
FFMA025025	25mm x 25mm	20	R14.10

QUICK COUPLING FITTINGS

QUICK COUPLING PIPES.....	Pg. 96
PERROT	Pg. 97 - 100
BAUER	Pg. 101 - 103
LATCH	Pg. 104 - 106
ALL BLACK SYSTEM	Pg. 107 - 108
WAHL ABOVE GROUND	Pg. 109 - 111



**QUICK COUPLING PIPES
(3m & 6m)
(MAX PRESSURE 12 BAR)**



**Transport cost of pipes
to be negotiated upon
placement of order**

PIPES (NO OUTLET)

		50	70	76	89	108	159	194
(IRRIKWIK) PERROT		Prices available on request	Prices available on request		Prices available on request	Prices available on request	Prices available on request	
(IRRILOCK) BAUER		Prices available on request	Prices available on request		Prices available on request	Prices available on request	Prices available on request	Prices available on request
(IRRILATCH) LATCH Pipe – 70mm Coupling – 76mm		Prices available on request		Prices available on request				

PIPES (WITH OUTLET)

		50	70	76	89	108	159	194
PERROT		Prices available on request	Prices available on request					
BAUER		Prices available on request	Prices available on request					
LATCH Pipe – 70mm Coupling – 76mm		Prices available on request		Prices available on request				


PRESS-IN COUPLINGS

		50X50	70X70	70X76
QCA124		R722.54	R1 023.41	R1034.82
QCA3		R233.73	R278.41	R289.82

END CAPS



		50	70	76	89	108	159	194
QC8 or KXV (Aluminium)		R152.81	R197.55		R 273.11	R285.10		
QC8S (Steel)		R147.77	R232.62		R302.37	R402.32	R665.13	
QC8P (Plastic)			R40.57					
QC9 or KXM		R659.38	R952.76		R1 124.62	R1 538.80	R2 679.95	

BENDS

90° QC11 OR KRKB / 45° QC12 OR KRKB									
			50	70	76	89	108	159	194
90°	QC11 or KRKB	R1 394.62	R2 024.88			R2 141.37	R3 031.21	R5 026.61	
45°	QC12 or KRKB	R1 369.10	R1 986.41			R2 103.26	R2 967.58	R4 962.62	



T-PIECE

QC21 OR KTVMM									
			50	70	76	89	108	159	194
	OUTLET	QC21 or KTVMM	R2 018.77	R2 808.30			R3 559.36	R4 594.10	R8 096.66
QC27 or KTMVV									
			50	70	76	89	108	159	194
	INLET	QC27 or KTMVV	R2 009.00	R2 808.30			R3 559.36	R4 600.93	R8 096.66

FLANGED ADAPTORS

QC70 OR KMF				
		108x100	159x150	
		QC70 or KMF	R2 350.62	R3 769.33
		Flange is always Table "D"		
QC73 OR KVF				
		108x100	159x150	
		QC73 or KVF	R1 238.95	R2 159.35
		Flange is always Table "D"		



THREADED ADAPTORS

			50X50	70X65	70X80	89X80	108X100	159X150
FEMALE								
		QC74 or KMG	R1 015.68	R1 197.60	R1 528.73	R1 499.25	R2 194.94	R3 782.63
MALE								
		QC75 or KVG	R450.85	R600.78	R878.70	R739.92	R985.48	R1 840.00

HOSE ADAPTORS




			50X50	70X65	70X80	89X80	108X100	159X150
FEMALE								
		QC77 or KMS	R740.28	R956.35	R1 004.89	R1 146.91	R1 566.84	R2 807.94
MALE								
		QC 78 or KVS	R308.12	R614.08	R639.61	R516.65	R599.70	R1 007.00

REDUCERS

			50X50	70X50	70X80	89X70	108X89	159X108	159X150
MALE / FEMALE									
		QC81 or KMGV		R1 173.51		R1 659.96	R1 965.92	R2 957.15	

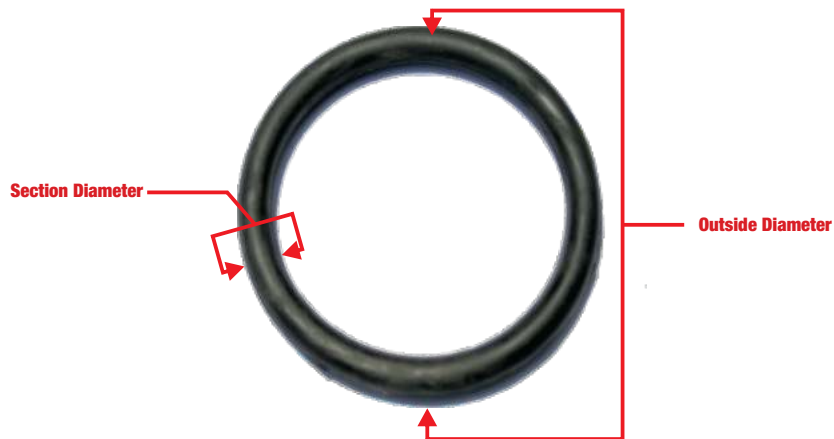


2 AND 3 LEG Y – PIECES

KKV 2 Leg Male			159X200	159X250
		QC71-159(2)200	Prices available on request	
		QC71-159(2)250		Prices available on request
KKM 2 Leg Female			159X200	159X250
		QC72-159(2)200	Prices available on request	
		QC72-159(2)250		Prices available on request
KKM 3 Leg Female			159X200	159X250
		QC72-159(3)200	Prices available on request	
		QC72-159(3)250		Prices available on request



RUBBER RINGS




CODE	PIPE SIZE	OUTSIDE DIAMETER	SECTION DIAMETER	PRICE
QC4-50	50mm	86mm	11mm	R23.73
QC4-70	70mm	109mm	12mm	R25.53
QC4-89	89mm	140mm	14mm	R32.00
QC4-108	108mm	160mm	18mm	R93.84
QC4-159	159mm	228mm	23mm	R170.42

PRESS-IN COUPLINGS


BA12 (MALE)		50X50	70X70	70X76
		R434.53	R602.72	R663.00
BA34 (Female)		50X50	70X70	70X76
		R227.17	R271.30	R298.45

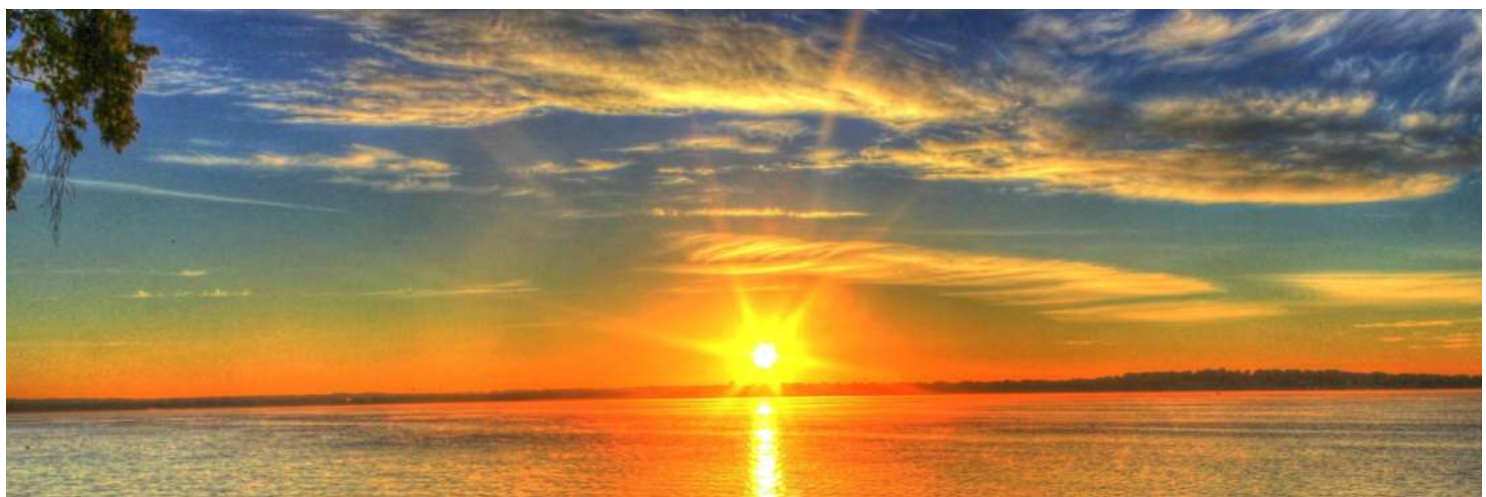


END CAPS



B8		50	70	76	89	108	159	194
		R219.29	R256.12		R387.28	R493.99	R1 089.20	R1 633.80

BENDS

90° B11 45° B12			50	70	76	89	108	159	194	
		90°	B11	R1 104.00	R1 360.46		R1 833.11	R2 460.68	R4 564.71	R8 289.46
		45°	B12	R1 018.97	R1 243.00		R1 721.92	R2 238.98	R4 049.00	R7 007.14



T – PIECES

		50	70	76	89	108	159	194
B21	 OUTLET	R1 617.62	R2 504.40		R3 590.15	R4 231.83	R7 475.66	R13 389.82
B27	 INLET	R1 617.62	R2 504.40		R3 590.15	R4 231.83	R7 475.66	R13 389.82

FLANGED ADAPTORS



B70			108X100	159X150	194X200
		B70	R2 667.57	R4 612.56	R8 027.84
Flange is always Table "D"					
B73			108X100	159X150	194X200
		B73	R1 834.84	R3 019.73	R5 298.30
Flange is always Table "D"					

THREADED ADAPTORS

B74 or BVG (Male)			50X50	70X65	70X80	89X80	108X100	159X150
		B74 or BVG	R580.40	R838.24	R858.90	R1 204.52	R1 504.36	R3 011.13
B75 or BMG (Female)			50X50	70X65	70X80	89X80	108X100	159X150
		B75 or BMG	R332.54	R427.21	R545.00	R592.81	R766.29	R1 550.49

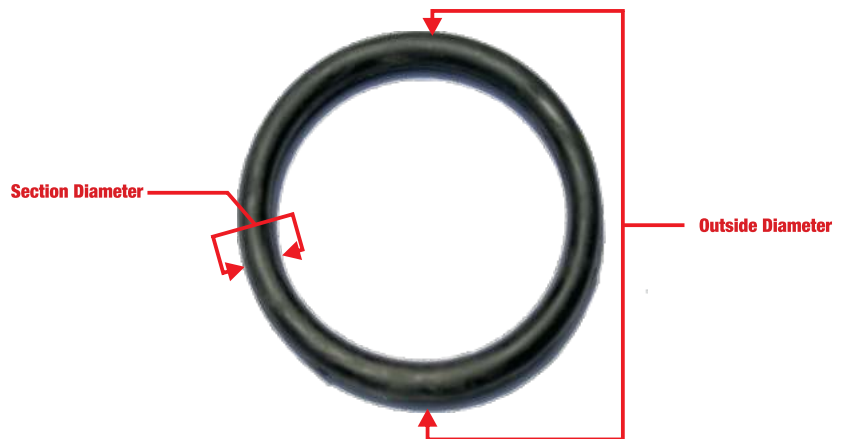
HOSE ADAPTORS

			50X50	70X65	70X80	89X80	108X100	159X150	194X200
B77 or BVS (Male)									
		B77 or BVS	R436.50	R694.35	R716.00	R1 045.48	R1 270.27	R2 303.00	R4 354.00
B78 or BMS (Female)									
		B78 or BMS	R204.14	R292.27	R317.74	R403.46	R570.00	R988.33	R1 969.00

REDUCERS

			70X50	89X70	108X70	108X89	159X108
B81							
		B81	R1 123.97	R1 391.10	R1 895.42	R2 599.41	R4 811.54

RUBBER RINGS



CODE	PIPE SIZE	OUTSIDE DIAMETER	SECTION DIAMETER	PRICE
B4-50	50mm	83mm	9mm	R16.18
B4-70	70mm	115mm	13mm	R27.20
OVERSIZE: B-70-O	70mm	115mm	14mm	R36.00
B4-89	89mm	134mm	13mm	R65.41
B4-108	108mm	167mm	14mm	R69.54
B4-159	159mm	203mm	18mm	R138.73
B4-194	194mm	255mm	19mm	R313.95

**QUICK COUPLING
FITTINGS
LATCH**



PRESS-IN COUPLINGS

		CODE	51x50	70	76x70	76x76	
IL002 (Female RP)		IL002 (Female RP)			R574.03	R509.56	
IL004 (20mm) / IL005 (25mm)		IL004 (20mm) (Female RPO)			R711.83	R647.36	
		IL005 (25mm) (Female RPO)			R724.92	R660.45	
IL006 / SP103/4		CODE	51x50	70	76x70	76x76	
		STEEL	IL006		R167.00		R168.86
		ALUMINIUM	SP103	R235.11			
SP104					R275.57		
IL008 (Male end)		CODE	51x50	70	76x70	76x76	
		IL008 (Male End)	R244.00		R262.65	R211.00	

REPAIR
COUPLING

BENDS

		CODE	51	76
IL011 90°		IL011	R932.31	R974.99

T-PIECES

IL014		CODE	51	76
		IL014	R1 327.82	R1 483.17
IL016		CODE	51	76
		IL016	R1 413.33	R1 545.74

INLET

OUTLET



END CAPS

IL018		CODE	51	76	102
		IL018	R273.64	R317.44	

HOSE ADAPTORS

IL019 (Male)		CODE	51x50	76x65	76x80	102
		IL019 (Male)	R420.27	R438.74	R466.63	
IL020 (Female)		CODE	51x50	76x65	76x80	102
		IL020 (Female)	R520.00	R615.32	R630.34	

THREAD ADAPTORS

IL021 (Male)		CODE	51x50	76x65	76x80	102
		IL021 (Male)	R499.47	R540.92	R608.52	
IL022 (Female)		CODE	51x50	76x65	76x80	102
		IL022 (Female)	R526.90	R582.34	R585.30	



**QUICK COUPLING
FITTINGS
LATCH**






REDUCERS

IL023 (Male big / female small)		CODE	76X51	102X76
		IL023	R475.14	

SPARES - LATCH FOR FITTINGS

	CODE	51, 76 , 102mm
	SP228	R58.00

RUBBER RINGS

ILLS or GO		CODE	51	76	102
		ILLS or GO	R23.94	R41.97	R66.00
ILLP		CODE	51	76	102
		ILLP	R28.93	R34.94	R60.82
ILUG		CODE	51	76	102
		ILUG	R18.25	R25.40	R28.17



Transport cost of pipes to be negotiated upon placement of order



UNLIMITED ALL BLACK SYSTEM

ADVANTAGES

1	No more theft or corrosion of aluminium or steel parts
2	Easy and cheap to repair
3	Lightweight
4	Easy conversion from/to Perrot, Bauer or Latch systems
5	Positive lock with spring-loaded hooks
6	Minimum damages to pipes by vehicles
7	Resistant to chemicals, fertilizers and salt in water

4.8 BAR pressure

PIPES - 6m LENGTHS



CODE	SIZE (mm)(OD)	6M
ABPP63R	63	P.O.R
ABPP75R	75	P.O.R
ABPP90R	90	P.O.R

RING ASSEMBLY ONLY

CODE	SIZE	PRICE
ABRA63	63mm	R121.54
ABRA75	75mm	R145.10
ABRA90	90mm	R165.72

LIP SEALS

CODE	SIZE	PRICE
ABRR63	63mm	R66.57
ABRR75	75mm	R74.82
ABRR90	90mm	R80.12



90° BENDS



CODE	SIZE	PRICE
ABB63	63	R298.27
ABB75	75	R368.96
ABB90	90	R586.93

SIDE OUTLET TEES



CODE	SIZE	PRICE
ABT63	63	R439.65
ABT75	75	R510.34
ABT90	90	R799.00

END PLUGS



CODE	SIZE	PRICE
ABP63	63	R192.23
ABP75	75	R227.57
ABP90	90	R298.27

FEMALE THREAD CONNECTORS



CODE	SIZE	PRICE
ABFT63/50	63/50	R533.14
ABFT75/65	75/65	R656.85
ABFT90/80	90/80	R989.69

MALE THREAD CONNECTORS



CODE	SIZE	PRICE
ABMT63/50	63/50	R533.14
ABMT75/65	75/65	R656.85
ABMT90/80	90/80	R989.69

SADDLES, FOOT PIECE, RISER AND SPRINKLER



**OTHER SIZE
AVAILABLE
PAGE 121** →

CODE	SIZE	PRICE
VYR36	ALL	R102.69
NYLON NOZZLE	ALL	R5.00
NYLON PLUG	ALL	R1.34
ABRP500 M/F	ALL	R57.87
CS063025	63	R31.67
CS075025	75	R42.10
CS090025	90	R49.90
ABFP63	FOOT PIECE ONLY	R106.56
ABFP75	FOOT PIECE ONLY	R106.56
ABFP90	FOOT PIECE ONLY	R106.56

PLEASE NOTE:

- Saddle is always 25mm outlet
- Riser is threaded: 25mm Male at bottom 20mm Female at top Recommended riser pipe is 500mm long

10 - PRESS IN COUPLINGS RP


CODE	SIZE	PRICE
10051W	51	R428.65
10076W	76	R489.84
10102W	102	R669.27

10A - LIPSEAL FOR ABOVE AND OTHER FITTINGS

SIZE	ID(mm)	OD(mm)	THICKNESS(mm)
51	47	68	13
76	72	98	18
102	102	124	18

CODE	SIZE	PRICE
SP002	51	R39.59
SP004	76	R52.53
SP006	102	R67.79

11 - PRESS IN COUPLINGS RPO (25mm)


CODE	SIZE	PRICE
11051W	51	R446.27
11076W	76	R580.21
11102W	102	R731.11

12 - BOLT ON COUPLINGS RPO (25mm)


CODE	SIZE	PRICE
12051W	51	R600.11
12076W	76	R822.26
12102W	102	R1 122.94

12A - SPARES FOR ITEM 12

LIPSEAL		
CODE	SIZE	PRICE
SP002	51	R39.59
SP004	76	R52.53
SP006	102	R67.79

"O" RING		
CODE	SIZE	PRICE
SP007	51	R26.43
SP009	76	R72.19
SP011	102	R72.67

14 - PRESS IN MALE ENDS


CODE	SIZE	PRICE
14051W	51	R245.52
14076W	76	R376.79
14102W	102	R519.70
SP018	Latch (6mm)	R41.48
M8x35mm	Bolt & Nut	R5.20



15 - BAND AND LATCH ASSEMBLY



BAND ONLY		
CODE	SIZE	PRICE
SP013	51	R93.44
SP015	76	R101.96
SP017	102	R152.73

LATCH ONLY	
CODE	PRICE
SP018	R41.48
M8x35mm	R5.20

COMPLETE		
CODE	SIZE	PRICE
15051	51	R144.51
15076	76	R154.14
15102	102	R206.53
M8x35mm	Bolt & Nut	R5.20

20 BENDS - 90°



CODE	SIZE	PRICE
20051	51	R977.56
20076	76	R1 232.48
20102	102	R1 735.40

21 BENDS - 45°



CODE	SIZE	PRICE
21051	51	R1 096.22
21076	76	R1 480.37
21102	102	R2 194.79

22 - SIDE INLET TEES



CODE	SIZE	PRICE
22051	51	R537.24
22076	76	R1 154.53
22102	102	R2 617.00

23 - SIDE OUTLET TEES

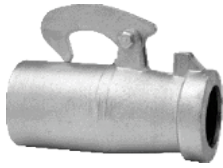


CODE	SIZE	PRICE
23051	51	R1 055.28
23076	76	R1 373.47
23102	102	R2 114.33

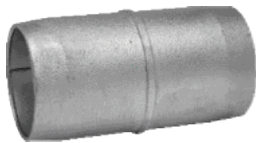
25 - END PLUGS



CODE	SIZE	PRICE
25051	51	R353.73
25076	76	R381.64
25102	102	R618.10

26 - REDUCERS


CODE	SIZE	PRICE
26076051	76x51	R611.23
26102076	102x76	R735.84

27 - REPAIR COUPLINGS


CODE	SIZE	PRICE
SP103	51	R235.11
SP104	76	R275.57

30 - BSP/FEMALE ADAPTORS


CODE	SIZE	PRICE
30050051	50x51	R509.00
30065076	65x76	R770.56
30080076	80x76	R584.16
30100102	100x102	R1 187.93

31 - BSP/MALE ADAPTORS


CODE	SIZE	PRICE
31050051	50x51	R687.40
31065076	65x76	R769.77
31080076	80x76	R682.22
31100102	100x102	R1 013.56

32 - HOSE/FEMALE ADAPTORS


***Non stock
Items**

CODE	SIZE	PRICE
32050051	50x51	R524.06
32075076	75x76	R756.18
32100102 *	100x102	R1 276.69

33 - HOSE/MALE ADAPTORS


***Non stock
Items**

CODE	SIZE	PRICE
33050051	50x51	R629.61
33075076	75x76	R856.84
33100102 *	100x102	R898.86



QUICK COUPLING ACCESSORIES

HYDRANT VALVES & HYDRANT BENDS	Pg. 114 - 117
FOOT VALVES	Pg. 118 - 119
HYDROMATICS, PIPELETS & KEYS	Pg. 120
RISER PIPES, DRAGLINE STANDS & HOSE	Pg. 121
SADDLES & FOOT PIECES	Pg. 122
MISCELLANEOUS	Pg. 123 - 125

HYDRANT BENDS

M TYPE



CODE	SIZE	PRICE
36050050	50BSP	R1 997.83
36102080	80BSP	R2 409.00
36102100	100BSP	R3 268.30

Bottom lip seal for:
50mm = SP004 (76mm)
80 + 100mm = SP006 (102mm)



CODE	SIZE	PRICE
36102076	76	R2 390.93
36102102	102	R3 891.37

Bottom lip seal for:
Both = SP006 (102mm)

M TYPE SPARES

	CODE	SIZE	PRICE
Wheel & Spindle	SP064	50	R524.90
Wheel & Spindle	SP065	80	R524.90
Wheel & Spindle	SP065	100	R524.90
Latch	SP020	ALL	R75.75
Lip Seals	SP004	50	R52.53
Lip Seals	SP006	80	R67.79
Lip Seals	SP006	100	R67.79
Spindle Seals	SP067	ALL	R32.13
Spindle Collar & Pin	SP068	ALL	R64.75
Collar Only	SP069	ALL	R54.28
Split Pin Only	SPB	ALL	R13.00
Schaeder Valve	SP076	ALL	R59.15



HYDRANT VALVES

M TYPE



CODE	SIZE	PRICE
34050	50	R1 106.00
34080	80	R1 631.80
34100	100	R1 631.80



CODE	SIZE	PRICE
34N080	80	R1 470.66
34N100	100	R1 526.50

M TYPE SPARES

	CODE	SIZE	PRICE
Top Only	SP038	50	R368.33
Top Only	SP039	80	R544.26
Top Only	SP039N	80/100	R206.27
Top Only	SP039	100	R544.26
Base Only	SP041	50	R458.33
Base Only	SP042	80	R698.37
Base Only (Nylon)	SP042N	80	R941.08
Base Only	SP043	100	R698.37
Base Only (Nylon)	SP043N	100	R1 003.54
Mushroom	SP044	50	R265.75
Mushroom	SP045	80	R380.31
Mushroom	SP045	100	R380.31
Gasket	SP047	50	R8.00
Gasket	SP048	80	R16.52
Gasket	SP048	100	R16.52
Spring	SP051	ALL	R19.77
Slip Pin (2.5x25)	SP053S/S	ALL	R2.29
Bolts & Nuts	M8x20C/H	ALL	R13.20

HYDRANT BENDS

VERNON TYPE (WAHL)



CODE	SIZE	PRICE
KV22-50	50	R1 579.56
KV33-80	80	R1 907.10
KV44-100	100	R2 421.59
KV66-150 (male outlet)	150	R6 723.00

VERNON TYPE SPARES (WAHL)

	CODE	SIZE	PRICE
Wheel	SP071	50/80/100	R160.31
Spindle	SP072	50/80/100	R199.98
Catch (Dog)	KV16	ALL	R145.20
Catch (Dog)	KV66-Catch	150	R311.13
Rubber Rings	QC4-70	50	R23.73
Rubber Rings	QC4-89	80	R32.00
Rubber Rings	QC4-108	100	R93.85
Gland Packing	SP075	ALL	R41.79
Handle + Hook	QC2-70HA	50	R87.18
Handle + Hook	QC2-89	80	R104.55
Handle + Hook	QC2-108	100	R166.67
Spindle bolt & nut	M6x50mm	ALL	R3.00

ACE TYPE



CODE	SIZE	PRICE
37076065A	76x65BSP	R3 197.33
37076076A	76x76	R3 107.84
37102102A	102x102	R3 125.50

ACE TYPE SPARES

	CODE	SIZE	PRICE
Catch (Dog)	60011A	ALL	R337.72
Gland Nut	60012A	ALL	R262.71
Wheel	60014A	ALL	R353.39
Hook	60015A	ALL	R84.75
Spring	60016A	ALL	R30.16
Schraeder	SP076	ALL	R59.15

HYDRANT VALVES

VERNON TYPE (WAHL)



CODE	SIZE	PRICE
SR2-50	50	R859.62
SR3-80	80	R1 054.79
SR4-100	100	R1 196.41
SR6-150 (with flange)	150	R6 965.00

VERNON TYPE SPARES (WAHL)

	CODE	SIZE	PRICE
Dome Cover	SR52	50	R113.41
Dome Cover	SR53	80	R114.19
Dome Cover	SR54	100	R161.75
Dome Cover	SR55	150	R1 023.53
Spindle Brass	SR61	50/80/100	R273.92
Spindle (Stainless Steel)	SR61 S/S	50/80/100	R620.52
Spindle Brass	SR-62	150	R1 583.00
Rubber for Dome Cover	SP209	50	R48.71
	SP211	80	R59.96
	SP212	100	R59.96
Spindle Washer	SP210	ALL	R2.00

ACE TYPE



CODE	SIZE	PRICE
35076A	80	R1 548.18
35102A	100	R1 914.00

ACE TYPE SPARES

	CODE	SIZE	PRICE
Dome Cover	60004A	76	R466.20
Dome Cover	60005A	102	R532.84
Spindle	60006A	ALL	R453.40

**For other ACE
spares please contact
the office
P.O.R**

HYDRANT BENDS

O TYPE



Size always 102mm

CODE	SIZE	PRICE
37102076	102x76	R2 115.11
37102080	102x80BSP	R2 104.40
37102100	102x100BSP	R3 066.27
37102102	102x102	R3 392.93

O TYPE SPARES

	CODE	SIZE	PRICE
Wheel	SP071	ALL	R160.31
Spindle	SP072	ALL	R199.98
Gland Nut	SP073	ALL	R207.23
HEX Nut	SP074	ALL	R212.48
Latch	SP018	ALL	R41.48
Schraeder Valve	SP076	ALL	R59.15
Lip Seal	SP006	ALL	R67.79
Gland Packing	SP075	ALL	R41.79

LATCH TYPE



CODE	SIZE	PRICE
ILA024-76/80	76x80BSP	R1 824.72
ILA024-102/102	102x102	R2 161.86

LATCH TYPE SPARES

	CODE	SIZE	PRICE
Wheel	SP071	ALL	R160.31
Spindle	SP072	ALL	R199.98
Catch (Dog)	KV-16	ALL	R145.20
Gasket (Uni)	ILUG-76	ALL	R25.40

HYDRANT VALVES

O TYPE



Thread always 80mm

CODE	SIZE	PRICE
35001	102	R1 707.74

O TYPE SPARES

	CODE	SIZE	PRICE
Body	SP056	ALL	R962.57
Lid (Dome Cover)	SP057	ALL	R216.86
Spindle	SP058	ALL	R581.47
Washer	SP059	ALL	R1.47
Rubber for Lid	SP206	ALL	R58.34



LATCH TYPE



CODE	SIZE	PRICE
ILA030-76/80	100	R995.77
ILA030-102/100	100	R1 363.80

LATCH TYPE SPARES

	CODE	SIZE	PRICE
Dome Cover	SR53	80	R114.19
	SR54	100	R161.75
Spindle	SR61	ALL	R273.92

HYDRANT BENDS

BAUER TYPE



CODE	SIZE	PRICE
VS360-65	65	R2 196.12
VS360-80	80	R2 199.00

BAUER TYPE SPARES

	CODE	SIZE	PRICE
Wheel & Spindle	SP065	ALL	R524.90
Spindle Collar & Pin	SP068	ALL	R64.75

HYDRANT VALVES

BAUER TYPE



CODE	SIZE	PRICE
VS2200-80R	80	R1 727.61
VS2200-80	80	R1 550.14

BAUER TYPE VALVE SPARES

	CODE (VS2200-80R)	CODE (VS2200/2210)	SIZE	PRICE
Top Only (No B&N)	S220-TOP	VS2200-80T	80	R616.41
Base Only (No B&N)	S220-BOTTOM	VS2200-80B	80	R602.36
Mushroom	VS2200-80MR	VS2200-80MR	80	R414.22
Lip Seals	VS2200-80LS	VS2200-80LS	80	R33.00
Spring	SP051	SP051	ALL	R19.77
Flat Seals	VS2200GS	VS2200GS	80	R35.00
Bolts & Nuts	M8x20C/H	M10x40	ALL	R13.20
Split Pin	SP190	SP190	ALL	R11.64





WAHL TYPE (KKV & FEMALE THREAD)

**STAINLESS
STEEL
STRAINER**



CODE	SIZE	PRICE
BL80	80	R2 711.40
BL100	100	R2 451.59
BL150	150	R4 492.95

WAHL TYPE (FLANGED)

Flange is always table "TD"

**STAINLESS
STEEL
STRAINER**



CODE	SIZE	PRICE
BL80FL	80	R3 660.19
BL100FL	100	R3 229.00
BL150FL	150	R5 220.00
BL200FL	200	R7 635.46

FLOMAX TYPE (FLANGED)

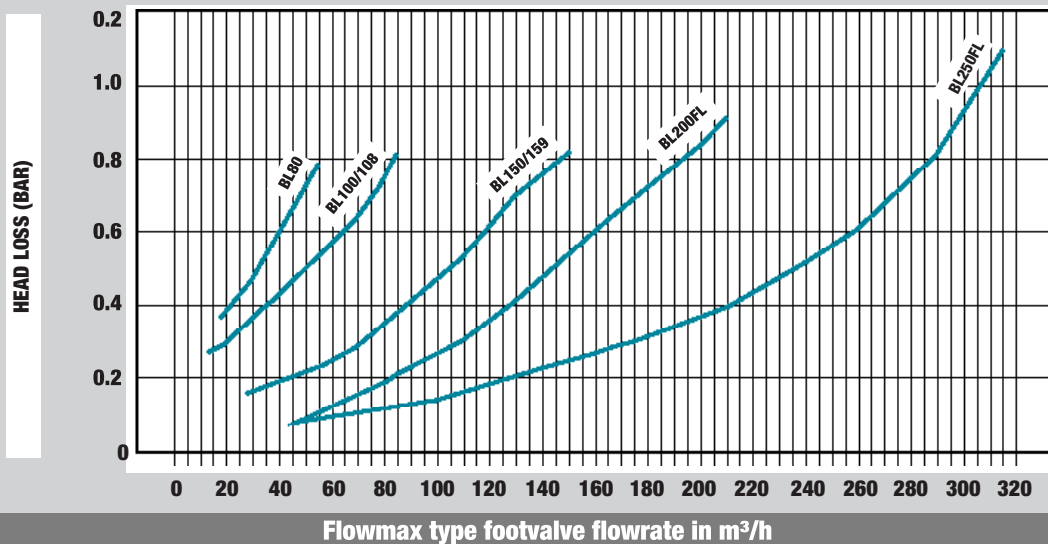
Flange is always table "TD"

**STAINLESS
STEEL
STRAINER**



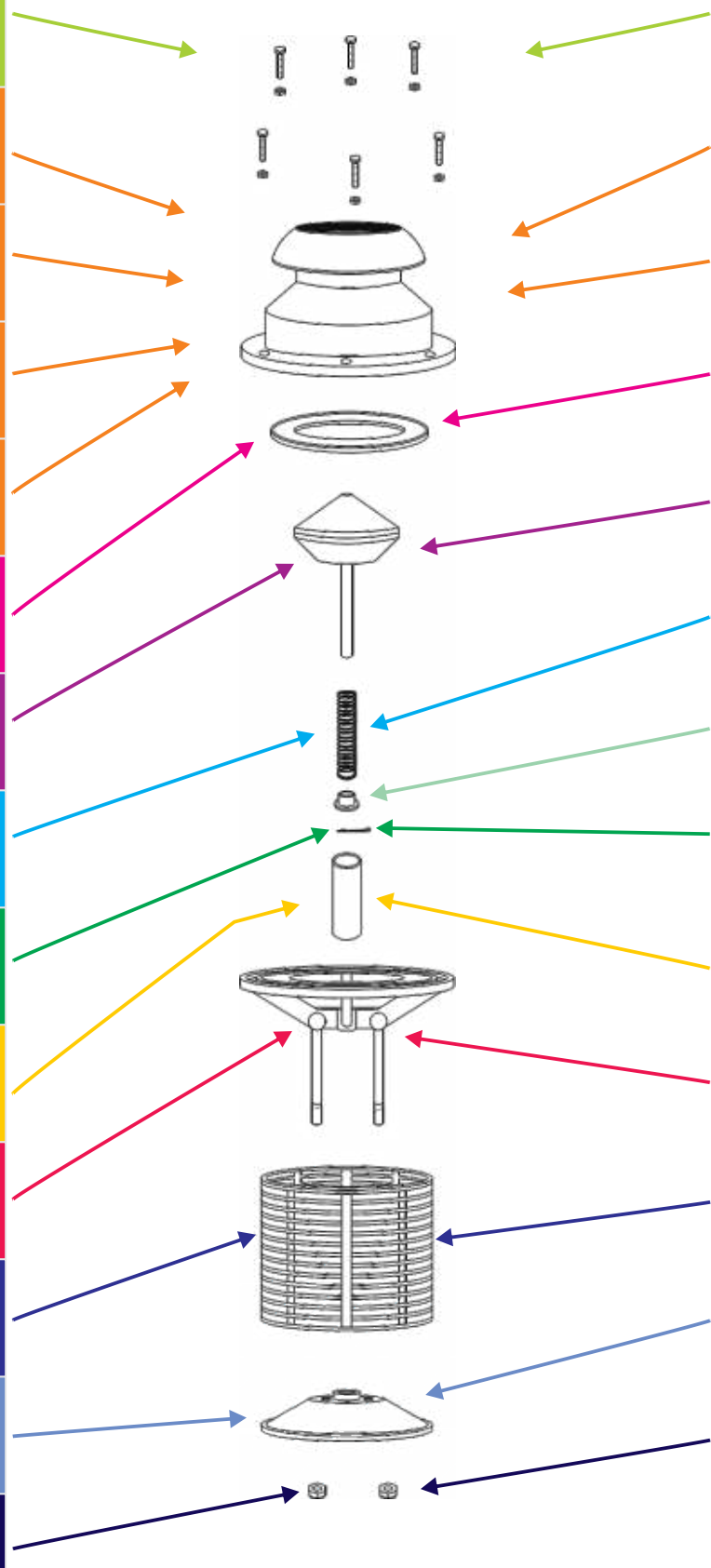
CODE	SIZE	PRICE
BL250FL	250	R15 382.69
BL300FL	300	R32 307.69

VALUES ACCORDING TO ARC TESTS – Footvalve flowrates vs. Headloss according to Agricultural research council tests



FOOT VALVE SPARES

80MM & 100MM	
CODE	PRICE
M8x35mm	R5.20
BLZ-1-80	R1 230.77
BLZ-1-100	R841.03
BLZ-1-100 FL	R1 470.09
BLZ-1-80 FL	R2 043.90
SP174	R302.36
BLZ-7-80/100	R664.44
SP051	R19.77
SP053S/S	R2.29
BLZ-5-80/100	R117.95
BLZ-4-80/100	R117.95
BLZ-6-80/100 S/S	R847.86
BLZ-10-80/100	R354.19
SP024	R2.60



150MM	
CODE	PRICE
M8x5mm	R6.00
BLZ-1-150	R1 892.92
BLZ-1-150FL	R2 427.35
SP173	R311.76
BLZ-7-150	R730.87
60016A	R30.16
BLZ-19-150	R35.52
SP053S/S	R2.29
BLZ-5-150	R119.52
BLZ-4-150	R1 059.83
BLZ-6-150 S/S	R1 367.52
BLZ-10-150/200	R392.75
SP024	R2.60

43 - HYDROMATICS - LONG (170mm) ALUMINIUM



Thread is always 25mm female

CODE	SIZE	PRICE
43170	Standard	R224.00
43170S	With S/S Spring	R226.00
43170SL	With S/S Spring & Lid	R317.00

44 - HYDROMATICS - SHORT (120mm) ALUMINIUM



Thread is always 25mm female

CODE	SIZE	PRICE
44120	Standard	R191.00
44120S	With S/S Spring	R194.00
44120SL	With S/S Spring & Lid	R283.70

44N - NYLOMATICS - SHORT (120mm) NYLON

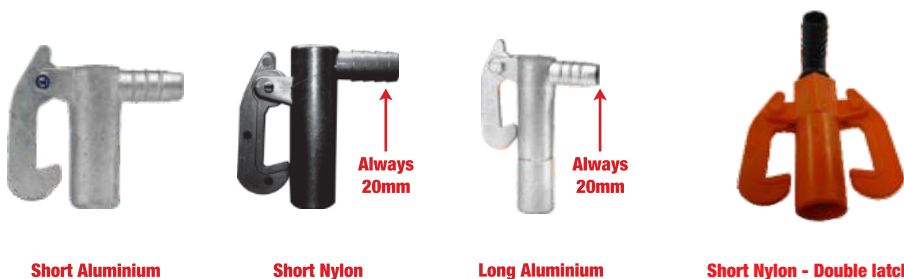


CODE	SIZE	PRICE
44N	Screw on top Standard	R68.68
44NS	Screw on top with S/S Spring	R76.80
44NB	Orange standard	R69.42
44NBS	Orange with S/S Spring	R76.80

44A – SPARES FOR ITEM 43, 44 AND 44N

	CODE	SIZE	PRICE
Seal Top	SP001	ALL	R4.65
Nylon Valve – Complete	SP028	ALL	R10.57
Nylon Valve – Gasket only	SP029	ALL	R1.55
Spring	SP030	ALL	R5.27

45, 45N & 45NB - RISER PIPELETS (ALUMINIUM AND NYLON)



CODE	SIZE	PRICE
45020	20 (Short)	R167.94
45025	25 (Short)	R238.00
45120	20 (Long)	R266.70
45N	20 (Short Nylon)	R46.52
45NB	20 (Short Nylon) (Double latch)	R62.00
SP102	Latch (3mm)	R30.36
SP102N	Latch (Nylon)	R8.53

56 - KEYS FOR SHORT HYDRO



These keys fit both items 44 and 44N

CODE	SIZE	PRICE
56015	15	R217.36
56020	20	R220.00
56020N	20	R53.91

RISER PIPES

SCREW IN (Nipple & Socket)		<p>← 20MM FEMALE THREAD OR 25MM MALE</p> <p>← 25MM MALE THREAD</p>	CODE	300	500	600	800	1000	1200	6000
			B92 (Steel)	R213.97	R275.36	R303.46		R415.90	R472.10	
			ABRP M/M	R42.12	R57.87	R65.74		R97.23	R112.97	R512.30
			ABRP M/F	R42.12	R57.87	R65.74		R97.23	R112.97	
AUTOMATIC			CODE	200	300	500	600	800	1000	1200
			30RN	R279.51		R363.33				R537.62
PUSH IN (Band & Latch not incl.)		<p>← 20MM FEMALE THREAD</p>	CODE	200	300	500	600	800	1000	1200
			34R-NH (Steel)		R240.38	R292.98	R319.52	R378.32	R431.96	R501.14
			34R-NHN (Poly)		R32.87	R48.61	R56.49	R76.74	R87.97	R103.72
SWAGED ELBOW		<p>FOR USE WITH AUTOMATIC SADDLE</p>	CODE	SIZE			PRICE			
			30RN02,20	20mm			R339.81			

BAND & LATCH FOR STAND PIPE (25mm)



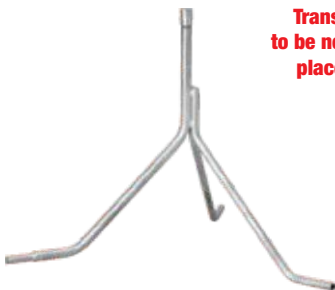
ALUMINIUM



NYLON

CODE	SIZE	PRICE
42001	Complete Aluminium	R120.00
42001N	Complete Nylon	R46.00
SP012	Band Aluminium	R64.89
SP018	Latch Steel (6mm)	R41.48
SP018 - Nylon	Latch Nylon	R25.47
M8x35mm	Bolt & Nut	R5.20

DRAGLINE STANDS



Transport of stands to be negotiated upon placement of order

300	600	1000	1200	3000
R292.63	R376.19	R550.93	R575.87	R1455.59

Collapsible

DRAGLINE HOSES




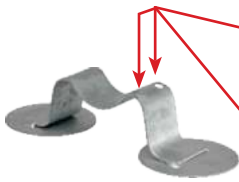

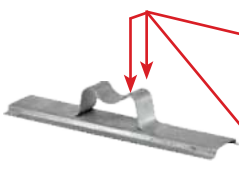


Various lengths available

CODE	SIZE	PRICE PER METER
IF20MM5Y	20mm (5 years)	P.O.R
IF25MM10Y	25mm (10 years)	P.O.R

SADDLE, SADDLEMATICS AND FOOT PIECE



SADDLES AND FOOT PIECES

		50	70	76	89	108	
SADDLE TOP (Steel) THREAD 20 or 25mm	 Complete with 4 bolts, nuts & gasket	Code	B93-50	B93-70	Same as 70mm	B93-89	
		Price	R183.28	R187.92		R195.89	
		Bolt & Nut	M8x45mm	M8x45mm		M8x45mm	
		Price	R6.00	R6.00		R6.00	
		Gasket B93G20	R6.93	R6.93		R6.93	
FOOT PIECE (Steel)	 Hole - centre to centre = 35mm Hole - centre to centre = 47mm, Rest = 55mm	For automatic & threaded saddle					
		Code	B93S-50	B93S-70	Same as 70mm		
		Price	R223.13	R234.76			
		For saddlematic					
		Code	B93W-50	B93W-70	B93W-76		
Price	R232.44	R245.11	R261.26				
SADDLE Aluminium (Automatic)	 Complete with 4 bolts, seal & "O" rings	Code	BN91-50	BN91-70	BN91-76	BN91-89	BN91-108
		Price	R441.88	R464.78	R475.36	R520.41	R569.00
		Bolt & Nut (M8x45mm)	R6.00	R6.00	R6.00	R6.00	R6.00
		Gasket BN 91-LPSL	R14.91	R14.91	R14.91	R14.91	R14.91
		"O" Ring BN91-OR	R14.91	R14.91	R14.91	R14.91	R14.91
		Valve SP028A	R10.57	R10.57	R10.57	R10.57	R10.57
FOOT PIECE (Steel)	 Hole - centre to centre = 35mm Hole - centre to centre = 47mm, Rest = 55mm	For automatic & threaded saddle					
		Code	BN91S-50	BN91S-70	Same as 70mm	BN91S-89	BN91S-108
		Price	R308.52	R322.47		R322.44	R360.00
		For saddlematic					
		Code	41050	41070	41076	41089	41108
Price	R317.83	R332.82	R353.61	R353.61	P.O.R		
SADDLE Aluminium (Saddlematic)	 Complete with 4 bolts, nuts, gasket & seal	Code	40050	40070	40076	40089	
		Price	R440.41	R464.78	R475.36	R520.41	
		Bolt & Nut (M8x45mm)	R6.00	R6.00	R6.00	R6.00	
		25mm Seal SP001	R4.65	R4.65	R4.65	R4.65	
		Valve SP028	R10.57	R10.57	R10.57	R10.57	
		Gasket SP031	R4.62	R4.62	R4.62	R4.62	
MONO SADDLES (Aluminium)		SIZE	CODE		PRICE		
			20mm	25mm			
		50	50050020	50050025	R232.00		
		70	50070020	50070025	R284.00		
		76	50076020	50076025	R322.00		
		89	50089020	50089025	R369.00		
		102/8	50108020	50108025	R437.00		
		ALL	GASKET	SP031	R4.62		
ALL	BOLT & NUT (M8x35mm)		R5.20				

58 – PRIMING PUMP



← Intake 15mm BSP & discharge is 32mm plain opening

CODE	SIZE	PRICE
55001A	32x15	R3 775.43

58A – SPARES FOR PRIMING PUMP



	CODE	SIZE	PRICE
Bottom	55003A	ALL	R1 475.00
Diaphragm	55004A	ALL	R570.00
Discharge valve	55005A	ALL	R105.00
Handle	55006A	ALL	R390.00
Spindle	55007A	ALL	R53.68
Suction Valve	55008A	ALL	R4.00
Top	55009A	ALL	R1 354.67

BOLTS & NUTS



SIZE	PRICE
M8x35mm	R5.20
M8x45mm	R6.00
M8x20C/H	R 13.20
M6x40	R 2.80

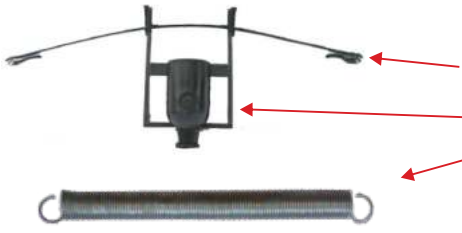
SUPPORT BATTEN

SIZE	PRICE
40x400	R74.00



← **BOLTS & NUTS FOR SUPPORT BATTEN**

TINKIE, CRADLE AND HANGER



CODE	DESCRIPTION	PRICE
SFTS	Hanger	R3.62
SFT20mm	Cradle	R128.58
STV	Spring	R157.53

(Use 11mm Punch)



TURF QC VALVES

VALVES



CODE	SIZE	PRICES
QCV020	20mm	R217.00
QCV025	25mm	R217.00

KEYS (For use with both 20mm & 25mm valves)

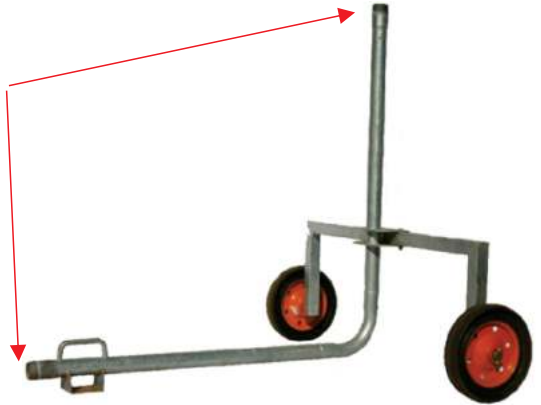


CODE	SIZE	PRICES
QCK020	20mm	R67.71

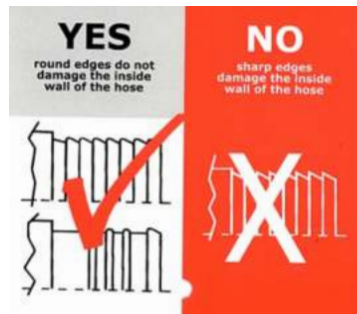
GUN TROLLEYS

CODE	SIZE	PRICE
GSLD40MM	40	R6 581.00
GSMD50MM	50	R7 759.71
GSH065MM	65	R8 615.00

Both ends male BSP



LAY FLAT HOSES



PLEASE NOTE:
Length of Aqualine
hose is 110m &
Oroflex 100m



MAX Working Pressure 12 BAR

CODE	SIZE	PRICE
Aqualine 50mm	LF50X110	R25 550.00
Aqualine 63mm	LF63X110	R29 851.00
Oroflex 50mm	LF050X100	R38 000.00
Oroflex 63mm	LF063X100	R40 783.00

**AQUALINE IS IDEAL FOR LAWN IRRIGATION, BUT IS NOT SUITABLE FOR FERTIGATION
OROFLEX IS MUCH LIGHTER, MORE DURABLE AND IMPORTED FROM SPAIN**







SIME GUNS

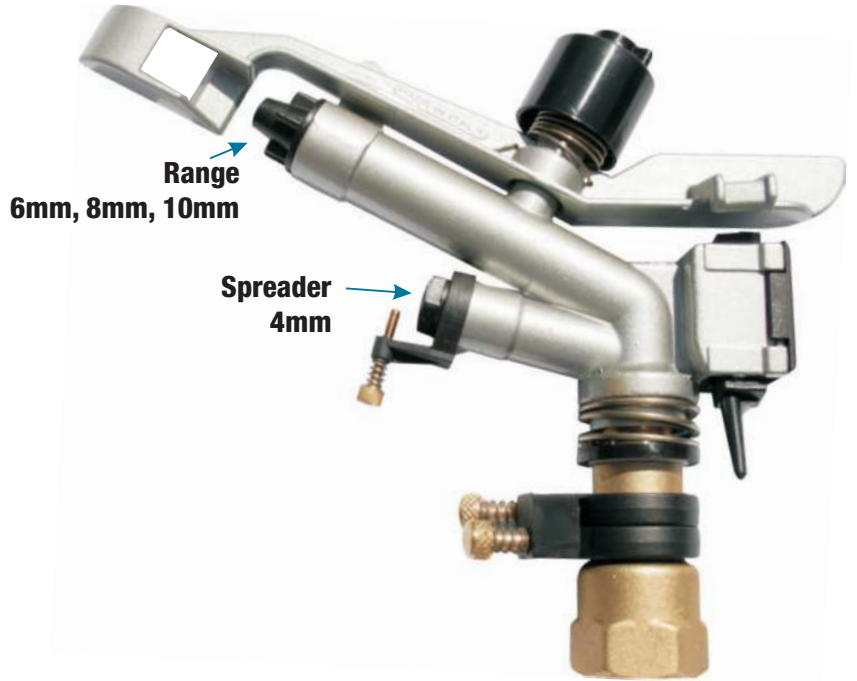
SIME GUNS Pg. 128 - 145



SIME IBIS

(FULL & PART CIRCLE)

SIME IBIS impact drive sprinkler is constructed with a heavy cast aluminum body, aluminum drive arm and brass lower turning union. Features include adjustable stops for full or part circle coverage, an adjustable jet breaker for changes stream pattern and a quick change nozzle setup all supported by a 1" female standard pipe thread connection. The Ibis is a dual port sprinkler with a secondary stream nozzle located just on the underside of the main barrel to cover close and intermediate ranges.



GUN

CODE	PRICE
SIME IBIS	R1 470.00
Set of nozzles included in price (Sizes 6mm, 8mm & 10mm)	

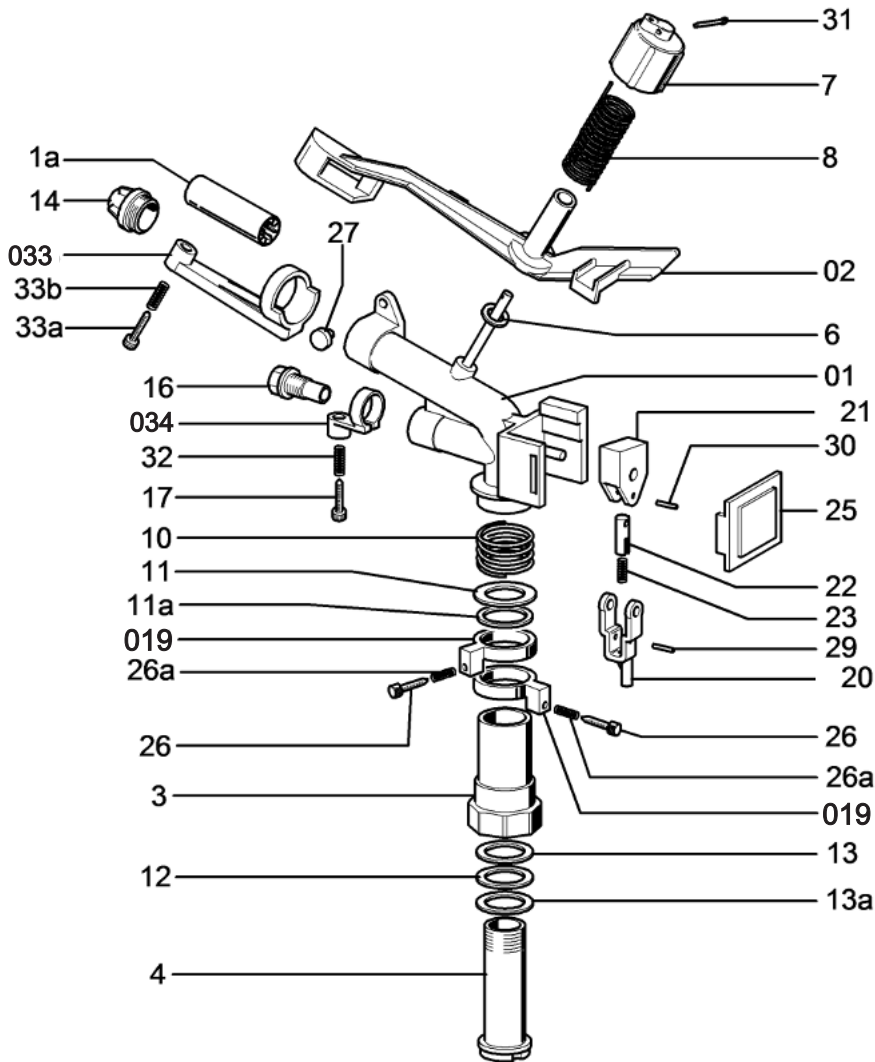
NOZZLES

CODE	PRICE
NZ-.....(IBIS)	R40.00
NZ- 4mm (IBIS/JOLLY)	R30.00

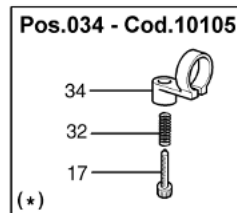
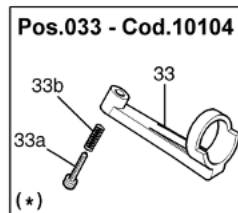
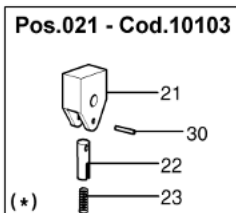
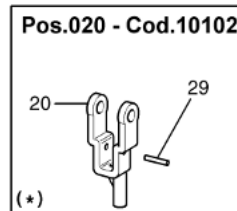
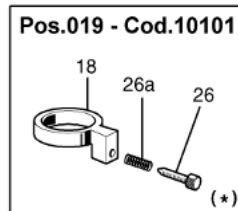
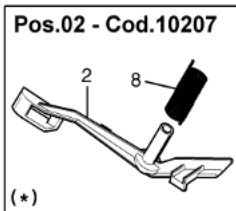
FEM. CONNECTION SCREW	inch	1"
NET WEIGHT	kg	0.76
PACKAGING SIZE	cm	57x28x26
BOX QUANTITY	each	20

SPECIFICATIONS

U Nozzle diameter	P Pressure	G Jet Length	Q Capacity	● Values for a single sprinkler		■ Square pattern for irrigators			▲ Triangular pattern				
				S Irrigated area	I Rainfall per hour	D Distance of sprinklers on the pipeline	S Irrigated area	I Rainfall per hour	D Distance of sprinklers on the pipeline	D ₁ Distance between 2 contiguous pipelines	S Irrigated area	I Rainfall per hour	
mm	atm	m	l/min	m ³ /h	m ²	mm/h	m	m ²	mm/h	m	m	m ²	mm/h
4 & 6	1.5	13	40	2.4	530	4.5	18	324	7.4	22	19	418	5.7
	2	15	46	2.8	706	4.0	21	441	6.4	25	22	550	5.1
	3	17	56	3.4	907	3.7	24	576	5.9	29	25	725	4.7
	4	18	65	3.9	1017	3.8	25	625	6.2	31	27	837	4.6
	5	23	161	9.7	1661	5.8	32	1024	9.5	39	34	1326	7.3
4 & 8	1.5	14.5	61	3.7	660	5.6	20	400	9.2	25	21	525	7
	2	16.5	71	4.3	854	5.0	23	529	8.1	28	24	627	6.4
	3	18	86	5.2	1017	5.1	25	625	8.3	31	27	837	6.2
	4	19	100	6.0	1134	5.3	26	676	8.9	32	28	989	6.1
4 & 10	2	17	102	6.1	907	6.7	24	576	10.6	29	25	725	8.4
	3	19.5	124	7.4	1193	6.2	27	729	10.2	33	29	957	7.7
	4	21	144	8.6	1385	6.2	29	841	10.2	36	31	1116	7.7



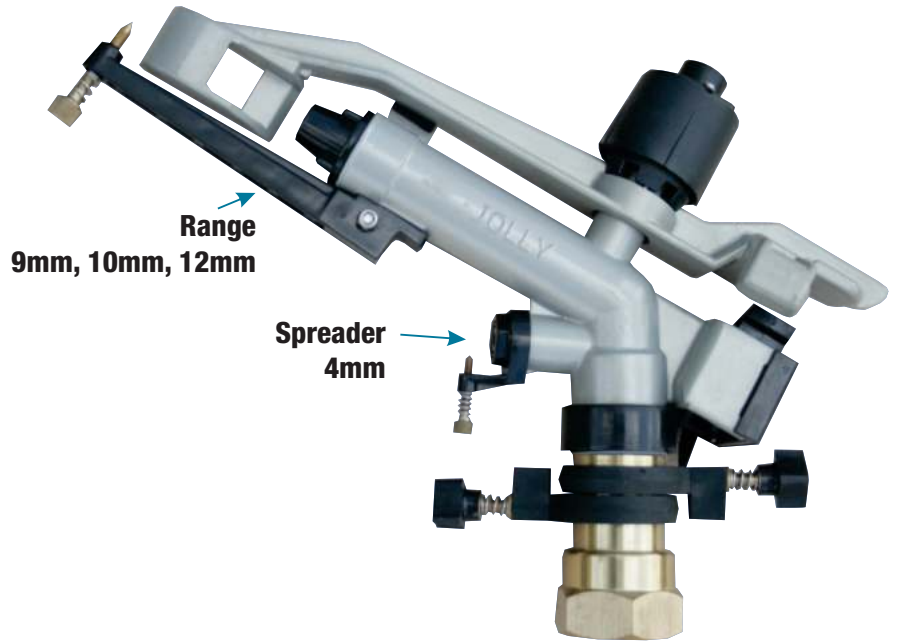
CODE N°	POSITION	PRICE
S10206	01	R404.90
S30291	1a	R30.76
S10207	02	R307.60
S30293	3	R354.68
S30294	4	R263.66
S30296	6	R8.16
S30334	7	R40.80
S30335	8	R31.39
S30300	10	R47.08
S30301	11	R13.18
S30302	11a	R15.07
S30303	12	R13.81
S30304	13	R7.53
S30305	13a	R16.95
S30336	17	R29.50
S10101	019	R128.69
S10102	020	R47.08
S10103	021	R84.75
S30313	22	R24.48
S30314	23	R5.65
S30316	25	R29.50
S30317	26	R53.36
S30325	26a	R7.53
S30319	27	R7.53
S30324	31	R5.65
S30337	32	R6.28
S10104	033	R134.97
S30308	33a	R53.36
S30325	33b	R7.53
S10105	034	R72.19



SIME JOLLY

(FULL & PART CIRCLE)

SIME JOLLY impact drive sprinkler is constructed with a heavy cast aluminum body, aluminum drive arm and brass lower turning union. Features include adjustable stops for full or part circle coverage, an adjustable jet breaker for changes stream pattern and a quick change nozzle setup all supported by a 1 1/4" female standard pipe thread connection. The Jolly is a dual port sprinkler with a secondary stream nozzle located just on the underside of the main barrel to cover close and intermediate ranges.



GUN

CODE	PRICE
SIME JOLLY	R2 145.00
Set of nozzles included in price (Sizes 9mm, 10mm & 12mm)	

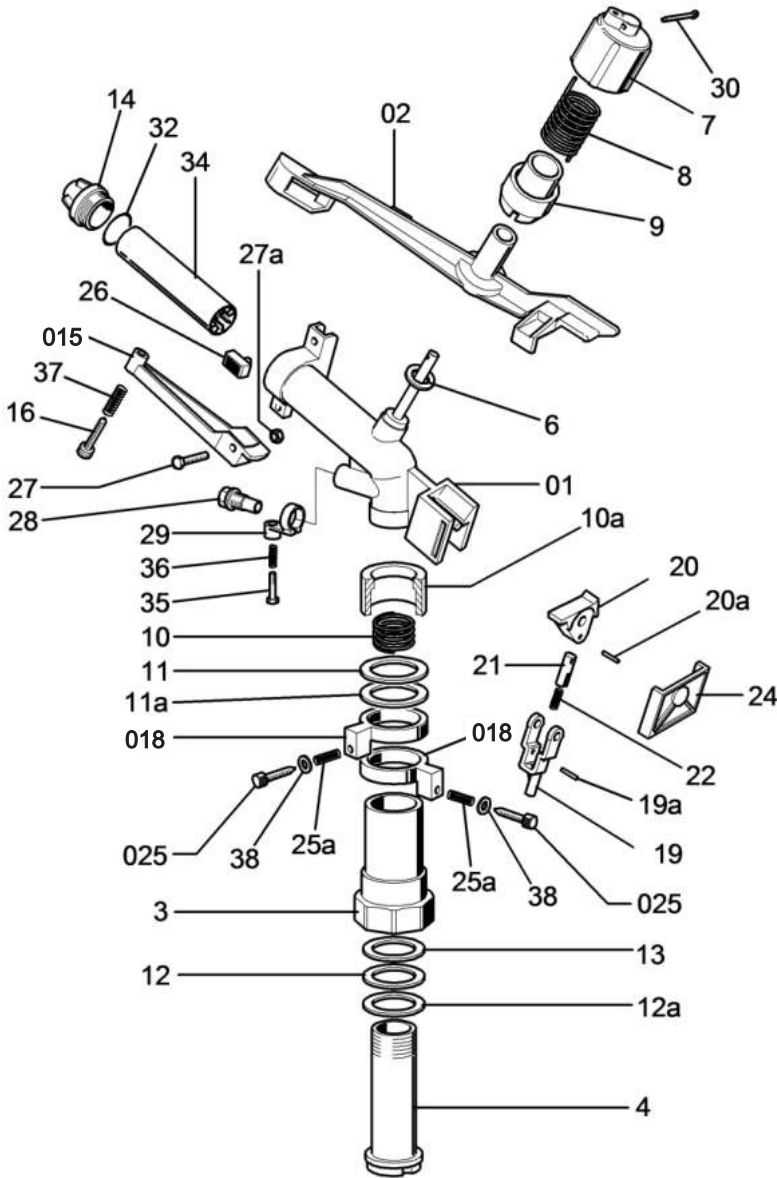
NOZZLES

CODE	PRICE
NZ-.....(JOLLY)	R50.00
NZ- 4mm (IBIS/JOLLY)	R30.00

FEM. CONNECTION SCREW	inch	1.1/4"
NET WEIGHT	kg	1.28
PACKAGING SIZE	cm	57X28X26
BOX QUANTITY	each	16

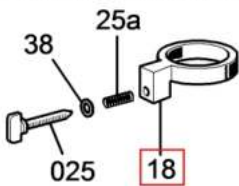
SPECIFICATIONS

U Nozzle diameter	P Pressure	G Jet Length	Q Capacity	Values for a single sprinkler		Square pattern for irrigators			Triangular pattern				
				S Irrigated area	I Rainfall per hour	D Distance of sprinklers on the pipeline	S Irrigated area	I Rainfall per hour	D Distance of sprinklers on the pipeline	D ₁ Distance between 2 contiguous pipelines	S Irrigated area	I Rainfall per hour	
mm	atm	m	l/min	m ³ /h	m ²	mm/h	m	m ²	mm/h	m	m	m ²	m
8 4	1,5	16,5	62	3,7	855	4,3	23	529	7,0	28	24	672	5,5
	2,0	17,5	71	4,2	962	4,4	24	576	7,3	30	26	780	5,4
	3,0	19,5	87	5,2	1194	4,3	27	729	7,1	33	29	957	5,4
	4,0	21	100	6,0	1384	4,3	29	841	7,1	36	31	1116	5,4
9 4	1,5	17	76	4,5	908	4,9	24	576	7,8	29	25	725	6,2
	2,0	18	88	5,3	1017	5,2	25	625	8,5	31	27	837	6,3
	3,0	20	107	6,4	1256	5,0	28	784	8,2	34	30	1020	6,3
10 4	4,0	21,5	124	7,4	1451	5,0	30	900	8,2	37	32	1184	6,2
	2,0	19	106	6,4	1134	5,6	26	676	9,5	32	28	896	7,1
	3,0	21	130	7,8	1384	5,6	29	841	9,3	36	31	1116	7,0
	4,0	22,5	151	9,0	1590	5,7	32	1024	8,8	39	34	1326	6,8
12 4	5,0	23,5	170	10,2	1734	5,9	33	1089	9,3	40	35	1400	7,3
	2,0	21	149	8,9	1384	6,4	29	841	10,6	36	31	1116	8,0
	3,0	23,5	182	10,9	1734	6,3	33	1089	10,0	40	35	1400	7,8
	4,0	26	211	12,6	2123	5,9	36	1296	9,7	44	39	1716	7,3
14 4	5,0	28	236	14,2	2461	5,8	39	1521	9,3	48	42	2016	7,0
	2,0	22,5	197	11,8	1590	7,4	32	1024	11,5	39	34	1326	8,9
	3,0	24	241	14,4	1809	7,9	33	1089	13,2	41	36	1476	9,7
	4,0	27	278	16,7	2289	7,2	38	1444	11,6	46	40	1840	9,1
	5,0	29	311	18,6	2640	7,0	40	1600	11,6	50	43	2150	8,6

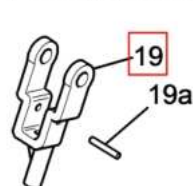


CODE N°	POSITION	PRICE
S10200	01	R492.79
S10243	02	R411.18
S30344	3	R473.95
S30345	4	R376.65
S30347	6	R9.42
S30348	7	R75.33
S30349	8	R47.08
S30350	9	R56.50
S30300	10	R47.08
S30351	10a	R23.23
S30352	11	R13.18
S30354	11a	R21.34
S30354	12	R21.34
S30355	12a	R26.99
S30356	13	R10.04
S10108	015	R178.91
S30359	16	R59.64
S10109	018	R182.05
S10201	019	R78.47
S10202	020	R119.27
S30704	21	R13.18
S30366	22	R6.28
S30368	24	R59.64
S10429	025	R78.47
S30325	25a	R7.53
S30369	26	R8.16
S30370	27	R8.16
S30321	27a	R5.65
S10105	029	R72.19
S30371	30	R6.91
S30372	32	R8.16
S30373	34	R72.19
S30336	35	R29.50
S30337	36	R6.28
S30374	37	R8.79
S3010183	38	R4.39

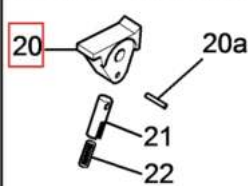
Pos.018 - Cod.10109



Pos.019 - Cod.10201



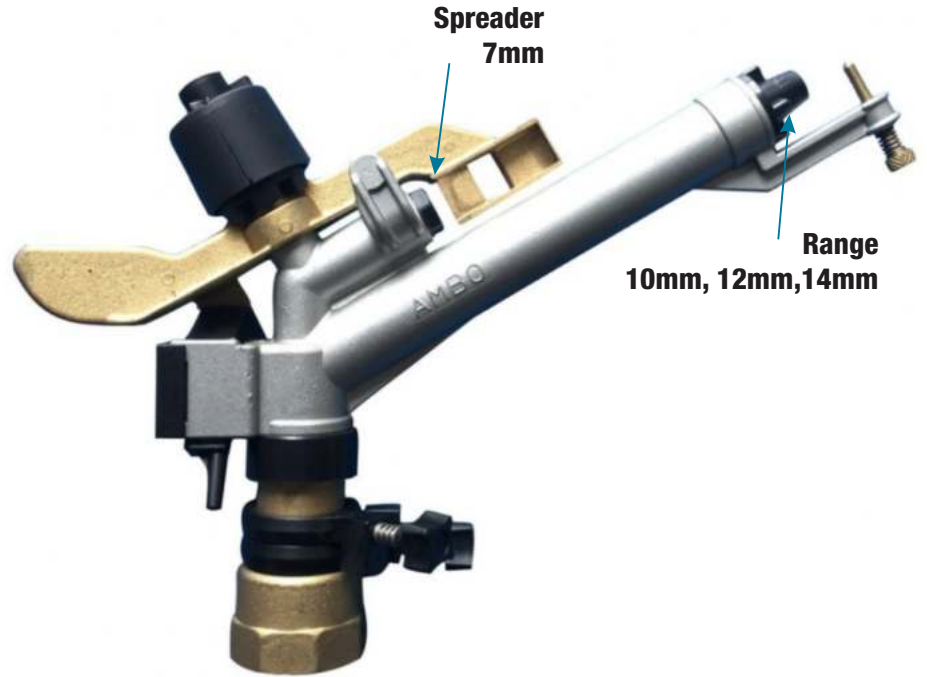
Pos.020 - Cod.10202



SIME AMBO

(FULL & PART CIRCLE)

SIME AMBO impact drive sprinkler is constructed with a heavy cast aluminum body, brass drive arm and brass lower turning union. Features include adjustable stops for full or part circle coverage, an adjustable jet breaker for changes stream pattern and a quick change nozzle setup all supported by a 1 1/2" female standard pipe thread connection.



GUN

CODE	PRICE
SIME AMBO	R2 636.00
Set of nozzles included in price (Sizes 10mm, 12mm & 14mm)	

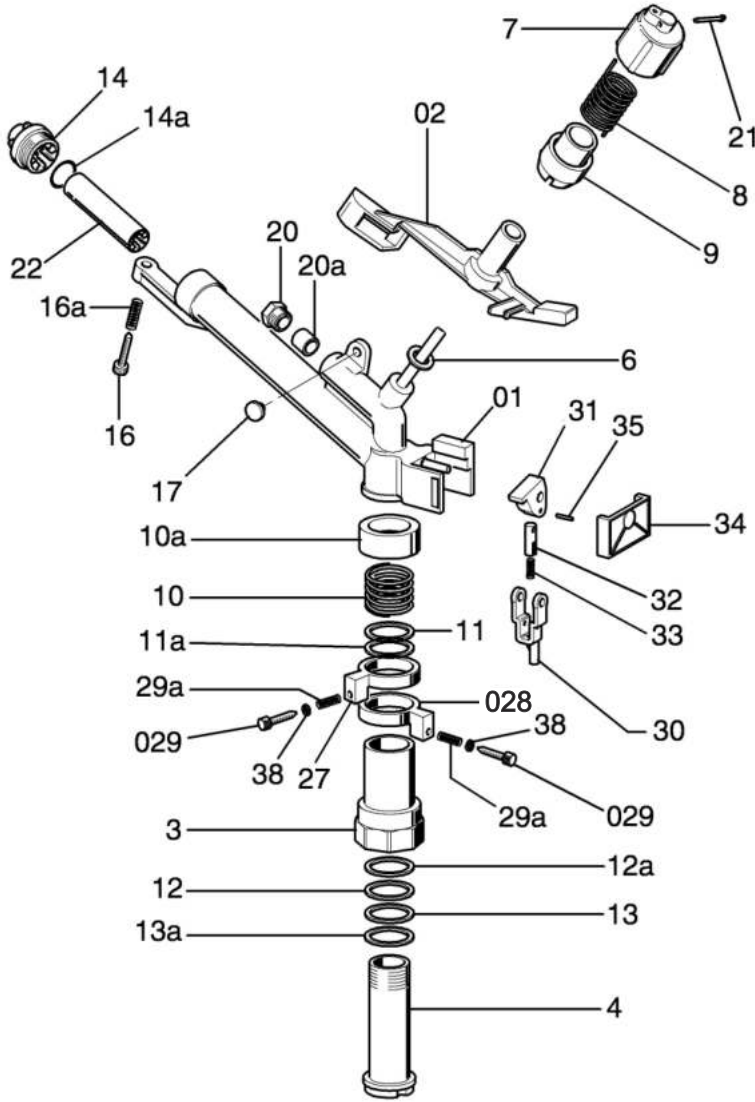
NOZZLES

CODE	PRICE
NZ-.....(AMBO)	R50.00
NZ- 7mm (AMBO)	R30.00

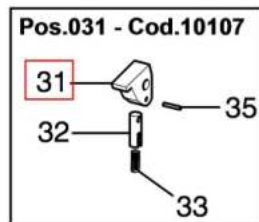
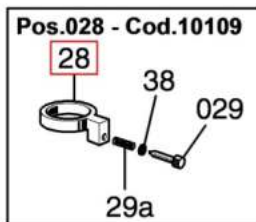
FEM. CONNECTION SCREW	inch	1 1/2"
NET WEIGHT	kg	1.53
PACKAGING SIZE	cm	57X28X26
BOX QUANTITY	each	16

SPECIFICATIONS

U Nozzle diameter	P Pressure	G Jet Length	Q Capacity	Values for a single sprinkler		Square pattern for irrigators			Triangular pattern				
				S Irrigated area	I Rainfall per hour	D Distance of sprinklers on the pipeline	S Irrigated area	I Rainfall per hour	D Distance of sprinklers on the pipeline	D ₁ Distance between 2 contiguous pipelines	S Irrigated area	I Rainfall per hour	
mm	atm	m	l/min	m ³ /h	m ²	mm/h	m	m ²	mm/h	m	m	m ²	m
7	1,5	16	86	5,1	804	6,3	22	484	10,5	27	24	648	7,9
	2	17,5	99	5,9	962	6,1	24	576	10,2	30	26	780	7,5
	3	19,5	121	7,2	1194	6,0	27	729	9,9	33	29	957	7,5
	4	21	140	8,4	1384	6,0	29	841	9,9	36	31	1116	7,5
10	2	18	130	7,8	1017	7,6	25	625	12,4	31	27	837	9,3
	3	21	159	9,5	1384	6,9	29	841	11,3	36	31	1116	8,5
	4	23	184	11,0	1662	6,6	32	1024	10,7	39	34	1326	8,3
12	5	24,5	207	12,4	1884	6,5	34	1156	10,7	42	36	1512	8,2
	2	19,5	169	10,1	1194	8,5	27	729	13,8	33	29	957	10,5
	3	22	207	12,4	1520	8,1	31	961	12,9	38	33	1254	9,9
14	4	25	239	14,3	1962	7,3	35	1225	11,7	43	37	1591	9,0
	5	27,5	269	16,1	2374	6,8	38	1444	11,1	47	41	1927	8,3
	2	20,5	215	12,9	1319	9,8	29	841	15,3	35	30	1050	12,3
16	3	23,5	264	15,8	1734	9,1	33	1089	14,5	40	35	1400	11,3
	4	26	305	18,3	2123	8,6	36	1296	14,1	44	39	1716	10,6
	5	28,5	342	20,5	2550	8,0	40	1600	12,8	49	42	2058	10,0
7	2	21	267	16,0	1384	11,5	29	841	19,0	36	31	1116	14,3
	3	24	328	19,6	1809	10,8	33	1089	18,0	41	36	1476	13,2
	4	26,5	379	22,7	2205	10,3	37	1369	16,6	45	39	1755	12,9
	5	29	414	24,8	2640	9,4	41	1681	14,7	50	43	2150	11,5



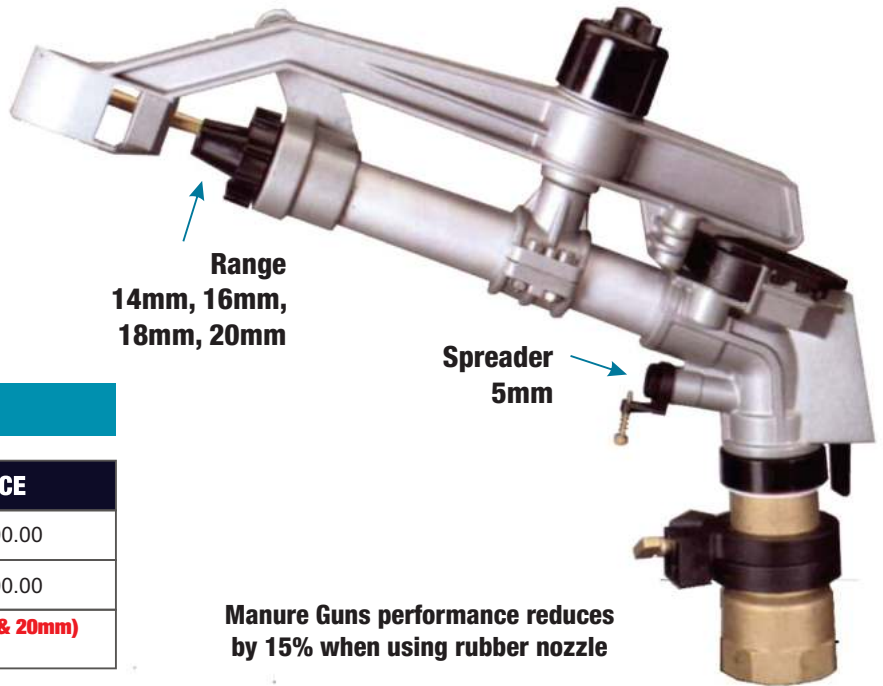
CODE N°	POSITION	PRICE
S10237	01	R703.08
S10369	02	R640.31
S30329	3	R558.70
S30345	4	R376.65
S30347	6	R9.42
S30348	7	R75.33
S30349	8	R47.08
S30350	9	R56.50
S30300	10	R47.08
S30351	10a	R23.23
S30352	11	R13.18
S30354	11a	R21.34
S30354	12	R21.34
S30355	12a	R26.99
S20172	13	R29.50
S30356	13a	R10.04
S30372	14a	R50.22
S30359	16	R8.16
S30374	16a	R8.79
S30330	17	R7.53
S30371	21	R6.91
S30383	22	R75.33
S10109	028	R182.05
S10429	029	R78.47
S30325	29a	R7.53
S30362	030	R78.47
S10107	031	R119.27
S30365	32	R30.13
S30366	33	R6.28
S30368	34	R59.64
S3010183	38	R4.39



SIME SENIOR

(FULL & PART CIRCLE)

SIME SENIOR impact drive sprinkler is constructed with a heavy cast aluminum body, aluminum drive arm and brass lower turning union. Features include adjustable stops for full or part circle coverage, an adjustable jet breaker for changes stream pattern and a quick change nozzle setup all supported by a 2" female standard pipe thread connection. The Senior is a dual port sprinkler with a secondary stream nozzle located just on the underside of the main barrel to cover close and intermediate ranges.



Manure Guns performance reduces by 15% when using rubber nozzle

GUN

CODE	PRICE
SIME SENIOR (MANURE GUN) <i>No vains inside</i>	R7 400.00
SIME SENIOR (I) (IRRIGATION) <i>Vains inside</i>	R7 300.00
Set of nozzles included in price (Sizes 14mm, 16mm,18mm & 20mm) and rubber nozzle for Manure Gun	

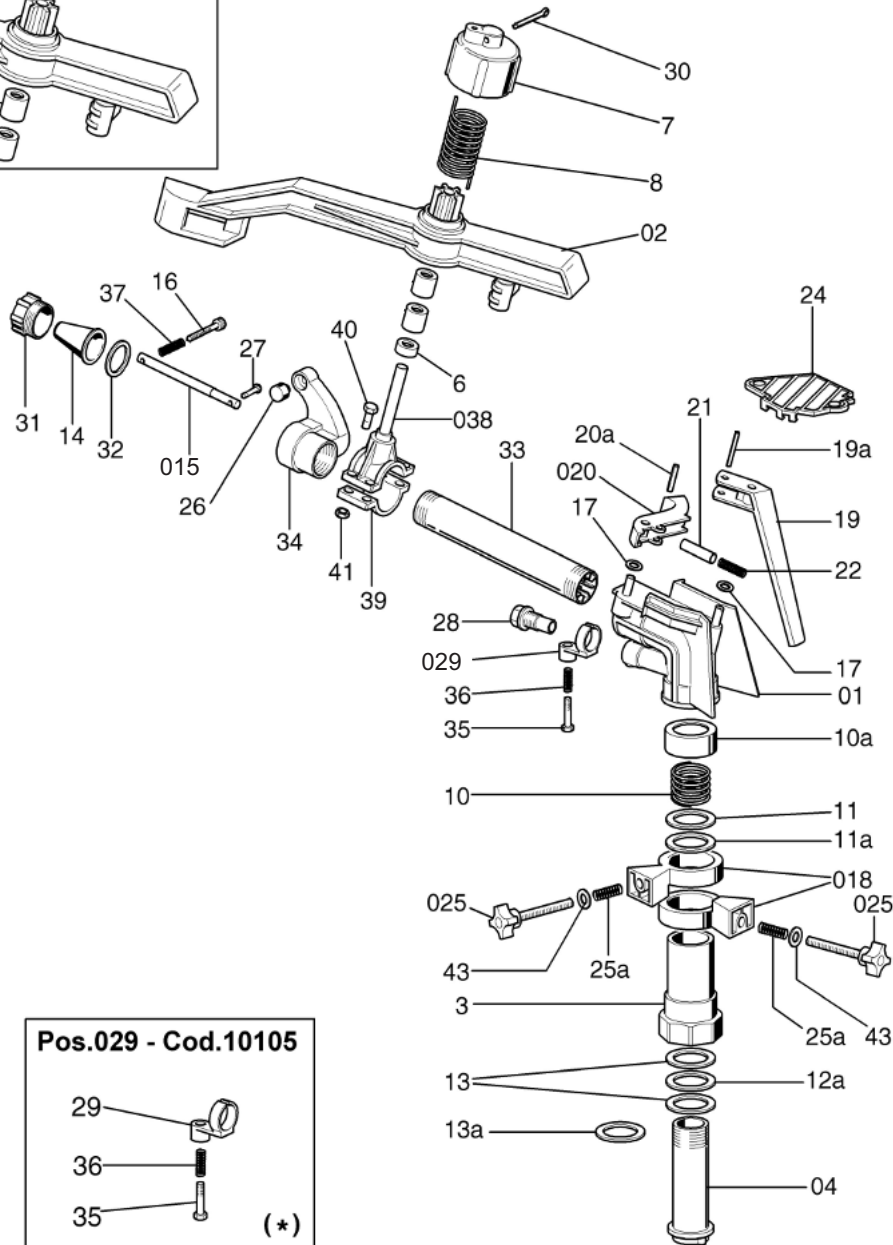
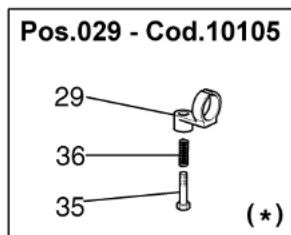
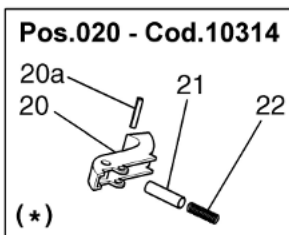
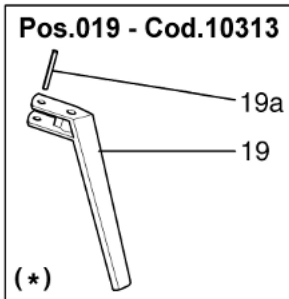
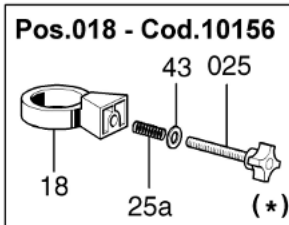
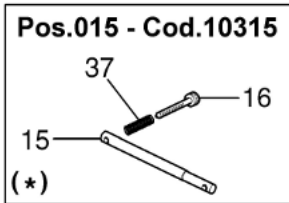
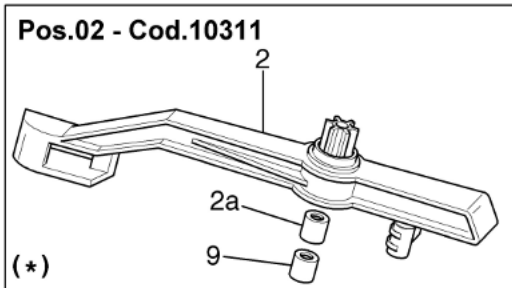
NOZZLES

CODE	PRICE
NZ-..... SIZE?(SENIOR)	R100.00
NZ- 5mm (SENIOR)	R30.00
NZ- RUBBER	R120.00

FEM. CONNECTION SCREW	inch	2"
NET WEIGHT	kg	3.8
PACKAGING SIZE	cm	57X27X38
BOX QUANTITY	each	1

SPECIFICATIONS

U Nozzle diameter	P Pressure	G Jet Length	Q Capacity	● Values for a single sprinkler		■ Square pattern for irrigators			▲ Triangular pattern								
				S Irrigated area	I Rainfall per hour	D Distance of sprinklers on the pipeline	S Irrigated area	I Rainfall per hour	D Distance of sprinklers on the pipeline	D ₁ Distance between 2 contiguous pipelines	S Irrigated area	I Rainfall per hour					
mm	inch	kg/cm ²	lbs/inch	m	feet	l/min	m ³ /h	G.P.M.	m ²	mm/h	m	m ²	mm/h	m	m	m ²	mm/h
12&5	.47 .20	1.5	22	19	62	130	7.8	34.3	1133	6.9	27	729	10.0	33	28	924	8.4
		2	29	22	72	152	9.4	40.2	1520	6.0	31	961	9.5	38	33	1254	7.3
		3	44	24	78	182	10.9	48.1	1808	6.0	33	1089	10.0	41	36	1476	7.3
		4	56	27	88	211	12.6	55.0	2289	5.6	38	1444	8.8	46	40	1840	6.9
14&5	.55 .20	2	29	23	75	195	11.7	51.5	1661	7.0	32	1024	11.0	40	34	1360	8.6
		3	44	28	91	239	14.3	63.2	2461	5.8	39	1521	9.4	48	42	2016	7.1
		4	56	31	101	277	16.6	73.2	3017	5.5	34	1849	9.0	53	46	2438	6.8
		5	70	34	111	309	18.5	81.7	3631	5.1	48	2304	8.0	59	51	3009	6.2
16&5	.63 .20	2	29	24	78	247	14.8	65.3	1808	8.2	33	1089	13.0	41	36	1476	10.0
		3	44	30	98	303	18.2	80.1	2826	6.4	42	1764	10.0	52	45	2340	7.8
		4	56	34	111	351	21.0	92.8	3631	5.8	48	2304	9.1	59	51	3009	7.0
		5	70	36	118	391	23.4	103	4069	5.7	51	2601	9.0	62	54	3348	7.0
18&5	.71 .20	2	29	24	78	309	18.5	81.7	1808	10.2	33	1089	17.0	41	36	1476	12.0
		3	44	32	105	378	22.7	100	3215	7.0	45	2025	11.2	55	48	2640	8.6
		4	56	35	115	436	26.2	115	3846	6.8	49	2401	10.8	60	52	3120	8.4
		5	70	38	125	487	29.2	128	4354	6.5	53	2809	10.2	65	57	3705	7.9
20&5	.78 .20	2	29	25	82	376	22.5	99.4	1962	11.4	35	1225	18.0	46	37	1591	14.0
		3	44	33	100	460	27.6	121	3419	8.0	46	2116	13.0	57	49	2793	10.1
		4	56	37	122	532	31.9	140	4298	7.4	52	2704	11.8	64	55	3520	9.1
		5	70	41	135	594	35.6	157	5281	6.8	57	3249	11.0	70	61	4270	8.4



CODEN°	POSITION	PRICE
S10310	01	R1 412.45
S10311	02	R1 224.12
S30793	3	R1 349.67
S10179	04	R1 443.83
S20195	6	R69.05
S3010188	7	R97.30
S3010189	8	R134.97
S3010274	10	R109.86
S30803	10a	R29.50
S30804	11	R34.53
S30805	11a	R31.39

CODEN°	POSITION	PRICE
S30805	12a	R31.39
S30804	13	R34.53
S3010496	13a	R23.23
S10315	015	R241.69
S30359	16	R59.64
S301010	17	R29.50
S10156	018	R295.04
S30811	18	R160.08
S10313	019	R160.08
S10314	020	R238.55

CODEN°	POSITION	PRICE
S30997	21	R94.16
S301016	22	R23.23
S3010193	24	R37.67
S10430	025	R113.00
S30821	25a	R14.44
S3010194	26	R37.67
S10105	029	R72.19
S30371	30	R6.91
S30211	31	R56.50

CODEN°	POSITION	PRICE
S30567	32	R10.04
S20181	33	R662.28
S3010195	34	R282.49
S30336	35	R29.50
S30337	36	R6.28
S30374	37	R8.79
S10312	038	R301.32
S3010197	39	R144.38
S30500	40	R10.04
S30511	41	R7.53
S3010182	43	R4.39

SIME WING

18° (FULL & PART CIRCLE)

SIME WING impact drive sprinkler is constructed with a heavy cast aluminum body, aluminum drive arm and brass lower turning union. Features include adjustable stops for full or part circle coverage and a quick change nozzle setup all supported by a 2" female standard pipe thread connection.



**PIVOT
END GUN**

GUN

CODE	PRICE
SIME WING	R18 632.00
Set of nozzles included in price (Sizes 12mm, 14mm, 16mm, 18mm & 20mm)	

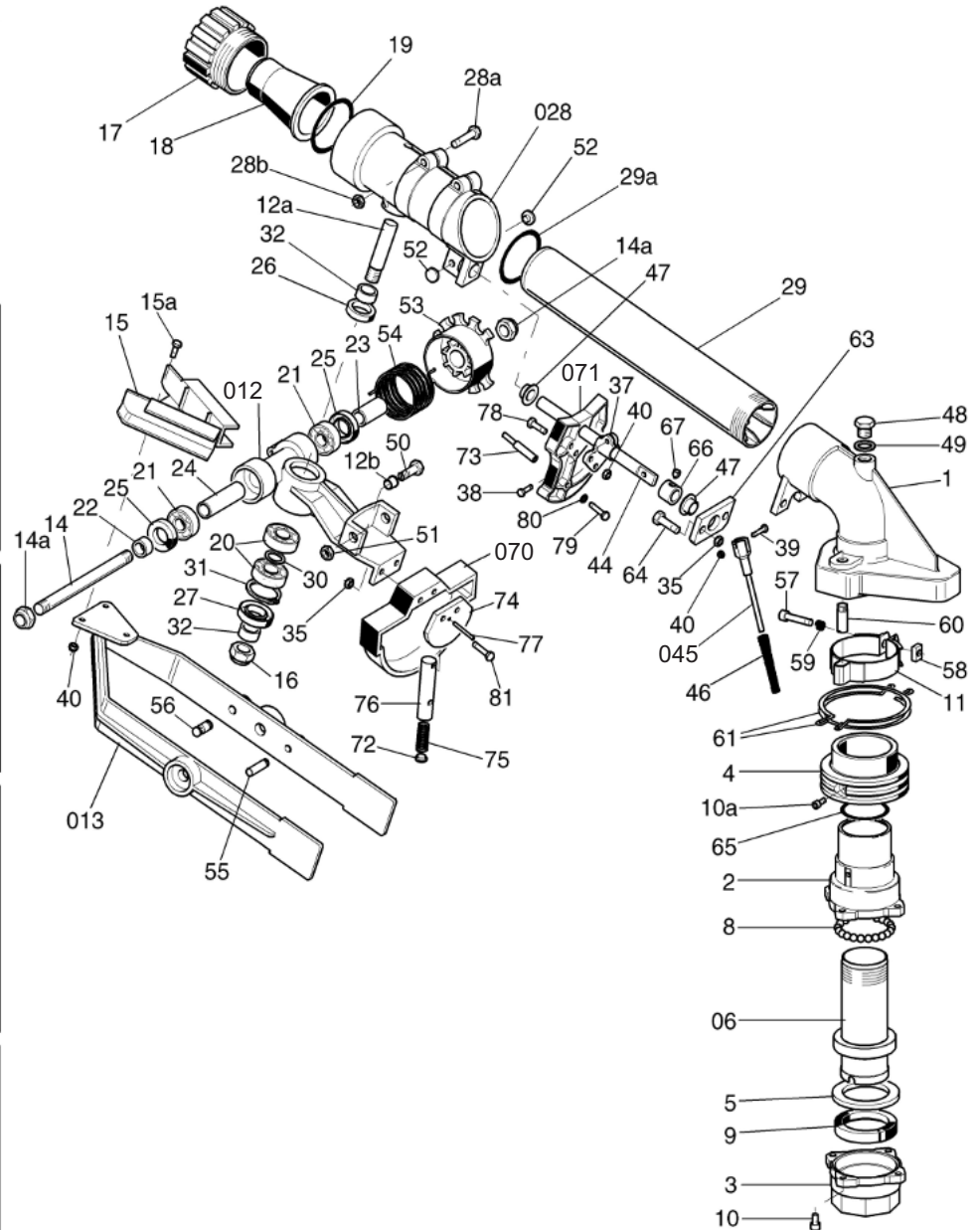
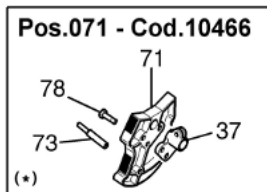
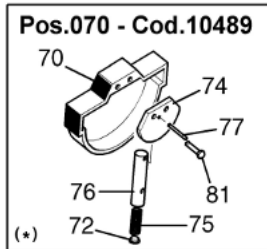
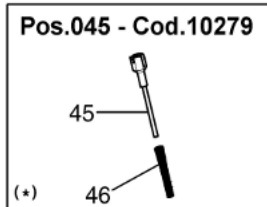
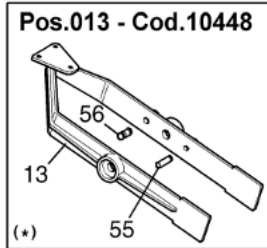
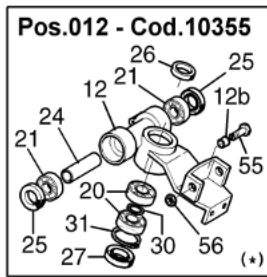
NOZZLES

CODE	PRICE
NZ-..... SIZE?MM(SIME)	R180.00

FEM. CONNECTION SCREW	inch	2"
NET WEIGHT	kg	5.8
PACKAGING SIZE	cm	84X26X24
BOX QUANTITY	each	1

SPECIFICATIONS

U Nozzle diameter		P Pressure		G Jet Length		Q Capacity			Values for a single sprinkler		Square pattern for irrigators			Triangular pattern			
									S Irrigated area	I Rainfall per hour	D	S	I	D	D ₁	S	I
mm	inch	kg/cm ²	lbs/inch	m	feet	l/min	m ³ /h	G.P.M.	m ²	mm/h	m	m ²	mm/h	m	m	m ²	mm/h
12	.47	2	29	22	72	127	7.6	33.5	1519	5.0	32	1024	7.4	22	39	858	8.8
		3	44	25.5	83.6	155	9.3	40.9	2041	4.5	36	1296	7.2	25.5	46	1173	7.9
		4	56	29	95	179	10.7	47.3	2640	4.0	40	1600	6.7	29	52	1508	7.1
		5	70	32	105	202	12.1	53.3	3217	3.7	45	2025	6.0	32	57	1824	6.6
14	.55	2	29	24	78.7	174	10.4	45.9	1808	5.7	34	1156	9.0	24	43	1032	10.0
		3	44	29	95	212	12.7	56.0	2640	4.8	40	1600	7.9	29	52	1508	8.4
		4	56	32	105	245	14.7	64.7	3217	4.6	45	1025	7.3	32	57	1824	8.0
		5	70	35.5	116	274	16.4	72.4	3957	4.2	50	2500	6.6	35.5	64	2272	7.2
16	.63	2	29	25	82	226	13.5	59.7	1962	6.8	35	1225	11.0	25	45	1125	12.0
		3	44	30.5	100	376	16.5	72.9	2921	5.7	43	1849	8.9	30.5	55	1677	9.8
		4	56	34.5	113	320	19.2	84.5	3737	5.1	49	2401	8.0	34.5	62	2139	9.0
		5	70	37.5	123	356	21.3	94.0	4415	4.8	53	2809	7.6	37.5	67	2512	8.5
18	.71	2	29	26.5	87	286	17.1	75.5	2205	7.7	37	1369	12.5	26.5	48	1272	13.4
		3	44	32	105	350	21.0	92.4	3217	6.5	45	2025	10.4	32	57	1824	11.5
		4	56	36.5	119.7	404	24.2	106.7	4183	5.8	51	2601	9.3	36.5	66	2409	10.0
		5	70	40	131	452	27.1	119.4	5024	5.4	56	3136	8.6	40	72	2880	9.4
20	.78	3	44	33	108	432	25.9	114.1	3419	7.6	46	2116	12.2	33	59	1947	13.3
		4	56	37.5	123	501	30.0	132.3	4415	6.8	53	2809	10.7	37.5	67	2512	12.0
		5	70	41	134.5	560	33.6	147.9	5278	6.4	58	3364	10.0	41	73	2993	11.2
		6	85	44.5	146	613	36.8	161.9	6218	5.9	63	3969	9.3	44.5	80	3560	10.3
22	.86	3	44	34	111	522	31.3	137.9	3629	8.6	48	2304	13.6	34	61	2074	15.1
		4	56	39.5	129.6	604	36.2	159.5	4899	7.4	55	3025	12.0	39.5	71	2804	12.9
		5	70	43.5	142.7	676	40.5	178.6	5941	6.8	61	3721	10.9	43.5	78	3383	11.9
		6	85	47.5	155.8	741	44.4	195.7	7084	6.5	67	4489	9.9	47.5	85	4037	11.0
24	.95	4	56	40.5	132.8	720	43.2	190.2	5150	8.4	57	3249	13.3	40.5	73	2956	14.6
		5	70	45.5	149	806	48.3	212.1	6500	7.4	64	4096	11.8	45.5	82	3731	12.9
		6	85	49.5	162	882	52.9	233.0	7693	6.9	70	4900	10.8	49.5	89	3405	12.0
		7	100	52	170.6	952	57.1	251.5	8490	6.7	73	5329	10.7	52	94	4888	11.7



CODEN°	POSITION	PRICE
S10450	01	R3 672.36
S3010455	2	R1 663.55
S3010457	3	R1 035.79
S3010456	4	R408.04
S30688	5	R241.69
S10447	06	R1 349.67
S3010458	8	R5.65
S3010459	9	R116.13
S3010465	10	R14.44
S3010462	10a	R6.91
S30986	011	R382.93
S10355	012	R3 954.85
S3010333	12b	R116.13
S10448	013	R3 515.42
S3010302	14	R662.28
S30579	14a	R40.80
S3010461	15	R684.25
S30783	15a	R5.65
S3010304	16	R53.36
S30056	17	R163.22

CODEN°	POSITION	PRICE
S30064	19	R13.81
S301002	20	R338.99
S30551	21	R304.46
S3010305	22	R163.22
S3010306	23	R204.02
S3010307	24	R219.71
S3010308	25	R138.11
S3010309	26	R84.75
S3010310	27	R87.89
S10358	028	R2 259.91
S30920	28a	R47.08
S3010480	28b	R6.91
S20232	29	R913.38
S30690	29a	R29.50
S3010314	30	R53.36
S301003	31	R25.11
S3010315	32	R185.19
S30511	35	R7.53

CODEN°	POSITION	PRICE
S3010318	37	R439.43
S30783	38	R5.65
S30270	40	R7.53
S20233	44	R411.18
S10279	045	R693.67
S30510	46	R69.05
S3010324	47	R75.33
S30102	48	R75.33
S30103	49	R4.39
S30426	50	R18.20
S30475	51	R6.91
S3010325	52	R25.74
S3010327	53	R298.18
S3010463	54	R175.77
S30965	57	R23.85
S3010205	58	R43.94

CODEN°	POSITION	PRICE
S30914	59	R12.56
S30930	60	R138.11
S30906	61	R332.71
S3010530	63	R116.13
S30443	64	R10.04
S3010466	65	R23.23
S3010351	66	R78.47
S3010445	67	R8.16
S10489	070	R1 349.67
S10466	071	R1 286.90
S3010575	72	R72.19
S3010576	73	R97.30
S3010546	74	R37.67
S3010645	75	R50.22
S3010612	76	R200.88
S30910	77	R10.04
S3010441	78	R8.16
S3010462	79	R6.91
S30532	80	R7.53
S30459	81	R11.93

SIME ROYAL

25° (FULL & PART CIRCLE)

Sime Royal Impact Drive Sprinkler is constructed with a heavy cast aluminum body, aluminum drive arm and brass lower turning union. Features include adjustable stops for full or part circle coverage, an adjustable jet breaker for changes stream pattern and a quick change nozzle setup all supported by a 2½" female standard pipe thread connection.



GUN

CODE	PRICE
SIME ROYAL	R20 225.00
Set of nozzles included in price (Sizes 14mm, 16mm, 18mm, 20mm, 22mm & 24mm)	

NOZZLES

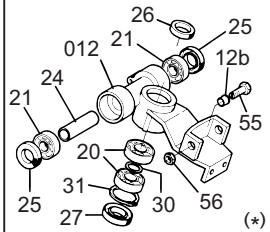
CODE	PRICE
NZ-..... SIZE?MM(SIME)	R180.00

FEM. CONNECTION SCREW	inch	2½"
NET WEIGHT	kg	7.8
PACKAGING SIZE	cm	84X26X24
BOX QUANTITY	each	1

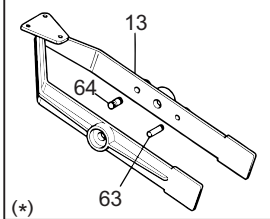
SPECIFICATIONS

U Nozzle diameter		P Pressure		G Jet Length		Q Capacity			Values for a single sprinkler		Square pattern for irrigators			Triangular pattern			
									S Irrigated area	I Rainfall per hour	D	S	I	D	D ₁	S	I
mm	inch	kg/cm²	lbs/inch	m	feet	l/min	m³/h	G.P.M.	m²	mm/h	m	m²	mm/h	m	m	m²	mm/h
12	.47	1,5	22	22	72	110	6,6	29,0	1519	4,3	32	1024	6,5	39	33	1287	5,1
		2	29	24	79	127	7,6	33,5	1808	4,2	34	1156	6,5	41	36	1476	5,1
		3	44	28	92	155	9,3	41,0	2461	3,8	38	1444	6,4	48	42	2016	4,6
		4	56	31,5	103	179	10,7	47,3	3115	3,4	44	1936	5,5	54	47	2538	4,2
14	.55	1,5	22	23	75	150	9,0	39,6	1662	5,4	32	1024	8,8	39	34	1236	6,8
		2	29	25,5	84	174	10,4	46,0	2041	5,1	36	1296	8,0	44	38	1672	6,5
		3	44	30	98	212	12,7	56,1	2826	4,5	42	1764	7,2	52	45	2340	5,4
		4	56	33,5	110	245	14,7	64,8	3523	4,2	47	2209	6,6	58	50	2900	5,0
16	.63	2	29	27	89	226	13,5	59,8	2289	5,8	38	1444	9,3	46	40	1840	7,3
		3	44	32	105	276	16,5	73,0	3217	5,1	45	2025	8,2	55	48	2640	6,3
		4	56	36	118	320	19,2	84,6	4069	4,7	50	2500	7,7	62	54	3348	5,7
		5	70	39	128	356	21,3	94,2	4775	4,4	54	2916	7,3	67	58	3886	5,5
		2	29	29	95	286	17,1	75,6	2640	6,4	40	1660	10,7	50	43	2150	7,9
18	.71	3	44	34	112	350	21,0	92,6	3629	5,8	48	2304	9,1	58	51	2958	7,1
		4	56	38	125	404	24,2	106	4534	5,3	53	2809	8,6	66	57	3762	6,4
		5	70	42	138	452	27,1	119	5538	4,9	59	3481	7,8	72	63	4536	6,0
		2	29	31	102	354	21,2	93,6	3017	7,0	44	1936	10,9	53	46	2438	8,7
20	.78	3	44	36	115	432	25,9	114	4069	6,4	51	2601	9,9	62	54	3348	7,7
		4	56	40	128	501	30,0	132	5024	6,0	56	3136	9,6	69	60	4140	7,2
		5	70	44	141	560	33,6	148	6079	5,5	62	3844	8,7	76	66	5016	6,7
		3	44	37	122	522	31,3	138	4298	7,2	52	2704	11,6	64	55	3520	8,9
22	.86	4	56	42,5	140	604	36,2	159	5671	6,4	60	3600	10,1	73	64	4672	7,7
		5	70	45	148	676	40,5	178	6358	6,3	63	3969	10,2	77	67	5159	7,8
		6	85	48	158	741	44,4	196	7238	6,1	67	4489	9,9	83	72	5976	7,4
24	.95	3	44	38	125	623	37,3	164	4534	8,2	53	2809	13,2	66	57	3762	9,9
		4	56	44	145	720	43,2	190	6082	7,1	62	3844	11,2	76	66	5016	8,6
		5	70	48	157	806	48,3	213	7238	6,7	67	4489	10,7	83	72	5976	8,1
		6	85	51	168	882	52,9	233	8167	6,4	72	5184	10,2	88	76	6688	7,9

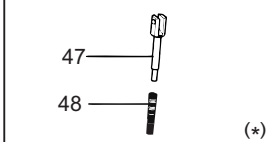
Pos.012 - Cod.10355



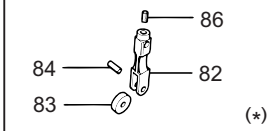
Pos.013 - Cod.10356



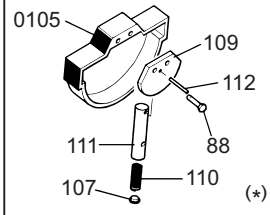
Pos.047 - Cod.10279



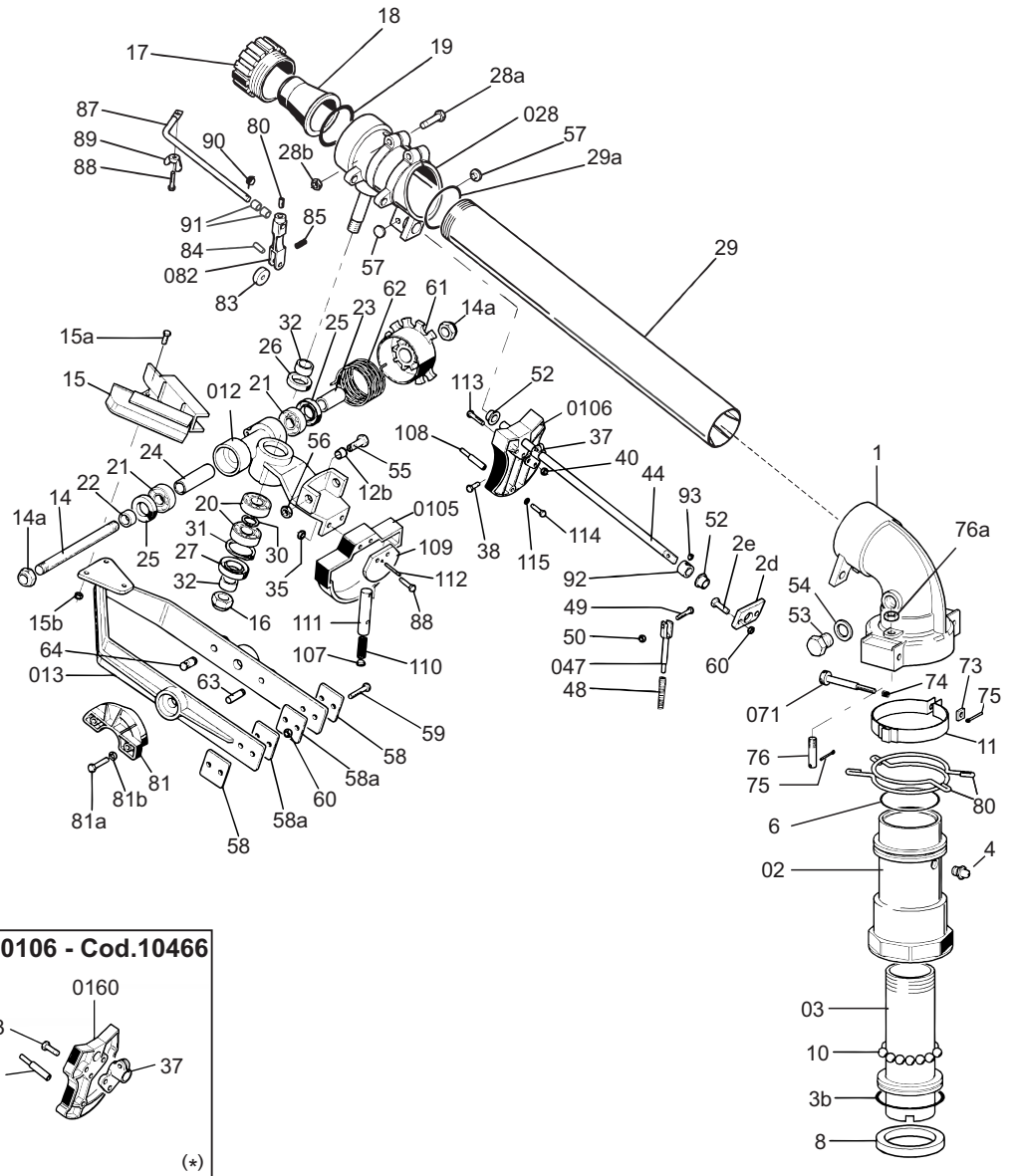
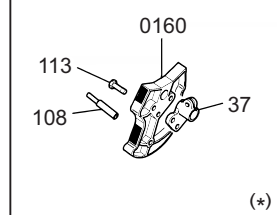
Pos.082 - Cod.10357



Pos.0105 - Cod.10489



Pos.0106 - Cod.10466



CODE N°	POSITION	PRICE
S10632	1	R3 481.18
S10383	02	R2 482.48
S3010530	2d	R105.58
S30513	2e	R9.13
S10228	03	R1 426.71
S30900	3b	R23.40
S30233	4	R9.13
S30987	6	R23.40
S30988	8	R108.43
S30048	10	R5.14
S30986	11	R348.12
S10355	012	R3 595.32
S3010333	12b	R105.58
S10356	013	R3 481.18
S3010302	14	R602.07
S30579	14a	R37.09
S3010303	15	R644.87
S30783	15a	R5.14
S30270	15b	R6.85
S3010304	16	R48.51
S30056	17	R148.38
S30063	18	R91.31
S30064	19	R12.56
S301002	20	R308.17
S30551	21	R276.78
S3010305	22	R148.38

CODE N°	POSITION	PRICE
S3010306	23	R185.47
S3010307	24	R199.74
S3010308	25	R125.55
S3010309	26	R77.04
S3010310	27	R79.90
S10358	028	R2 054.47
S30920	28a	R42.80
S3010480	28b	R6.28
S20218	29	R884.56
S30690	29a	R26.82
S3010314	30	R48.51
S301003	31	R22.83
S3010315	32	R168.35
S30511	35	R6.85
S3010318	37	R399.48
S30783	38	R5.14
S30530	39	R9.13
S30270	40	R6.85
S30270	43	R6.85
S20219	44	R408.04

CODE N°	POSITION	PRICE
S10279	047	R693.67
S30510	48	R62.78
S30530	49	R9.13
S30270	50	R6.85
S3010324	52	R68.48
S30102	53	R68.48
S30103	54	R3.99
S30426	55	R16.55
S30475	56	R6.28
S3010325	57	R23.40
S3010326	58	R182.62
S3010350	58a	R179.77
S30511	60	R6.85
S3010327	61	R271.08
S3010328	62	R176.91
S10364	071	R194.03
S3010205	73	R39.95
S30914	74	R11.41
S3010161	75	R13.13
S30930	76	R125.55
S30991	80	R268.22
S3010344	81	R273.93
S3010148	81a	R11.98
S30557	81b	R6.85

CODE N°	POSITION	PRICE
S10357	082	R644.87
S3010349	83	R62.78
S3010346	84	R23.97
S3010347	85	R14.84
S301084	86	R11.98
S20203	87	R282.49
S30459	88	R10.84
S30904	89	R37.09
S30492	90	R15.41
S30950	91	R34.24
S3010351	92	R71.34
S3010445	93	R7.42
S10489	0105	R1 226.97
S10466	0106	R1 169.90
S3010575	107	R65.63
S3010576	108	R88.46
S3010546	109	R34.24
S3010612	111	R182.62
S30910	112	R9.13
S3010441	113	R7.42
S3010462	114	R6.28
S30532	115	R6.85

SIME RANGER

25° (FULL & PART CIRCLE)

SIME RANGER impact drive sprinkler is constructed with a heavy cast aluminum body, aluminum drive arm and brass lower turning union. Features include adjustable stops for full or part circle coverage, an adjustable jet breaker for changes stream pattern and a quick change nozzle setup all supported by a 3" female standard pipe thread connection.



GUN

CODE	PRICE
RANGER	R28 000.00
Set of nozzles included in price (Sizes 22mm, 24mm, 26mm & 28mm)	

NOZZLES

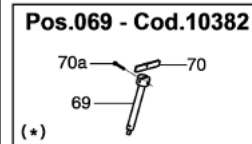
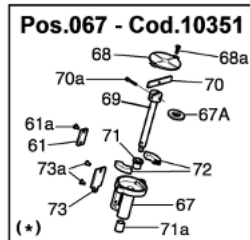
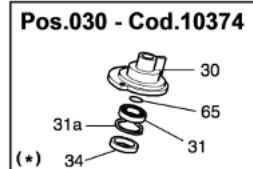
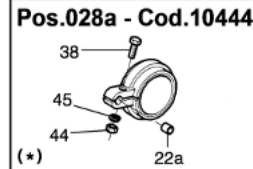
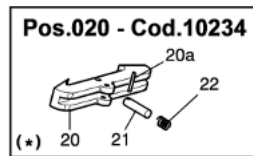
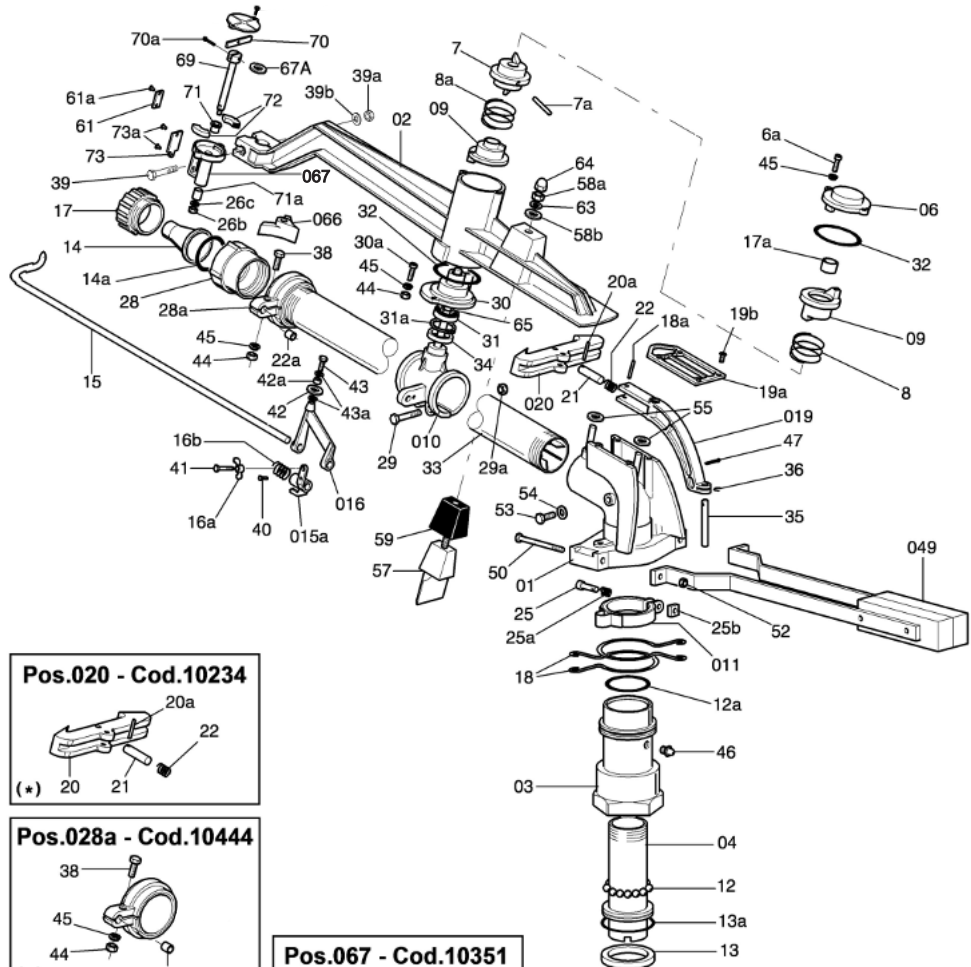
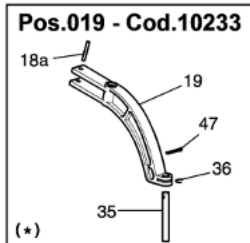
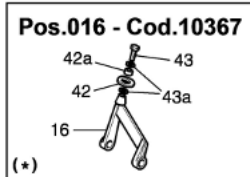
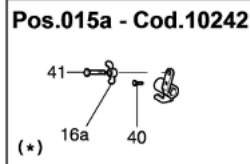
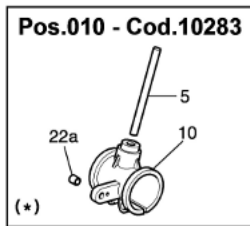
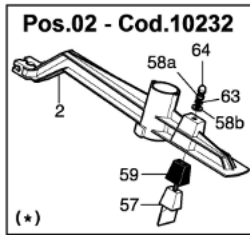
CODE	PRICE
NZ-.....MM(SIME)	R180.00

FEM. CONNECTION SCREW	inch	3"
NET WEIGHT	kg	10
PACKAGING SIZE	cm	107X28X33
BOX QUANTITY	each	1

SPECIFICATIONS

U Nozzle diameter		P Pressure		G Jet Length		Q Capacity			Values for a single sprinkler	
									S Irrigated area	I Rainfall per hour
mm	inch	kg/cm ²	lbs/inch	m	feet	l/min	m ³ /h	G.P.M.	m ²	mm/h
22	.86	3	44	38,5	127	522	31,3	138	4654	6,7
		4	56	42,5	140	604	36,2	159	5671	6,4
		5	70	46,0	151	676	40,5	178	6644	6,1
		6	85	49,5	163	741	44,4	196	7693	5,8
24	.95	3	44	40,0	128	623	37,3	164	5024	7,4
		4	56	44,5	150	720	43,2	190	6217	6,9
		5	70	49,0	161	806	48,3	213	7539	6,4
		6	85	52,5	171	882	52,9	233	8654	6,1
26	1,02	3	44	41,0	135	732	43,9	193	5281	8,3
		4	56	46,0	151	846	50,7	223	6664	7,6
		5	70	50,0	164	946	56,7	250	7850	7,2
		6	85	54,0	177	1037	62,2	274	9156	6,8
28	1,10	3	44	43,0	141	848	50,9	224	5808	8,7
		4	56	48,0	157	981	58,8	259	7238	8,1
		5	70	52,0	170	1096	65,7	289	8494	7,7
		6	85	56,0	184	1202	72,1	317	9847	7,3
30	1,18	3	44	44,5	146	974	58,4	257	6217	9,4
		4	56	50,0	164	1127	67,6	297	7850	8,6
		5	70	54,0	177	1260	75,6	332	9156	8,2
		6	85	58,0	190	1381	82,8	364	10562	7,8
32	1,26	4	56	52,0	170	1282	76,9	337	8494	9,0
		5	70	56,0	184	1433	85,9	377	9847	8,7
		6	85	59,5	195	1570	94,2	413	11116	8,5
		7	100	63,0	207	1694	101,6	445	12462	8,1





CODEN°	POSITION	PRICE
S10182	01	R3 735.14
S10232	02	R4 362.89
S10185	03	R2 793.50
S10186	04	R2 008.81
S10373	06	R646.59
S30889	6a	R9.42
S30890	7	R47.08
S30891	7a	R8.16
S30892	8	R134.97
S30893	8a	R144.38
S10187	09	R495.93
S10283	010	R903.97
S10184	011	R634.03
S30048	12	R5.65
S30900	12a	R25.74
S30901	13	R141.24
S30935	13a	R29.50
S30064	14a	R13.81
S10242	015a	R313.88
S20132	15	R235.41
S10367	016	R370.37
S30904	16a	R40.80
S30905	16b	R87.89

CODEN°	POSITION	PRICE
S30056	17	R163.22
S30936	17a	R30.76
S30906	18	R332.71
S30937	18a	R10.04
S10233	019	R539.87
S30908	19a	R279.35
S30938	19b	R5.65
S10234	020	R269.93
S30910	20a	R10.04
S30911	21	R97.30
S30912	22	R20.72
S30950	22a	R37.67
S30965	25	R23.85
S30914	25a	R12.56
S3010205	25b	R43.94
S30501	26b	R20.72
S30587	26c	R7.53
S10444	028a	R618.34
S301035	28	R1 129.96
S30920	29	R47.08
S30475	29a	R6.91
S10374	030	R844.33
S30922	30a	R13.18
S30518	31a	R25.11

CODEN°	POSITION	PRICE
S30923	32	R29.50
S20133	33	R1 381.06
S30022	34	R150.66
S30940	35	R40.80
S30941	36	R20.72
S30934	38	R6.91
S30942	39	R25.11
S30475	39a	R6.91
S30476	39b	R10.04
S30091	40	R6.91
S30513	41	R10.04
S30569	42	R40.80
S30960	42a	R43.94
S30443	43	R10.04
S30587	43a	R7.53
S30270	44	R7.53
S30233	46	R10.04
S30492	47	R16.95
S10180	049	R1 161.34
S30926	50	R20.72
S30475	52	R6.91
S30102	53	R75.33
S30103	54	R4.39

CODEN°	POSITION	PRICE
S30961	55	R25.74
S10629	57	R386.07
S30475	58a	R6.91
S301024	58b	R13.18
S301019	59	R72.19
S301020	61	R94.16
S301023	61a	R3.14
S30476	63	R10.04
S301028	64	R21.97
S10352	066	R194.60
S10351	067	R1 757.71
S10382	069	R590.09
S3010291	71	R75.33
S3010283	71a	R87.89
S3010284	72	R37.67
S3010285	73	R197.74
S3010286	73a	R3.14

SIME REFLEX

25° (FULL & PART CIRCLE)

Sime Reflex Impact Drive Sprinkler is constructed with a heavy cast aluminum body, aluminum drive arm and heavy duty lower turning union. Features include adjustable stops for full or part circle coverage (slow reverse in part circle mode), an adjustable jet breaker for changes stream pattern and a quick change nozzle setup all supported by a robust flanged base connection. ed by a 3" female standard pipe thread connection.



GUN

CODE	PRICE
REFLEX	R28 000.00
Set of nozzles included in price (Sizes 26mm, 28mm, 30mm, 32mm & 34mm)	

NOZZLES

CODE	PRICE
NZ-.....MM(SIME)	R180.00

FLANGE (80mm BSP)

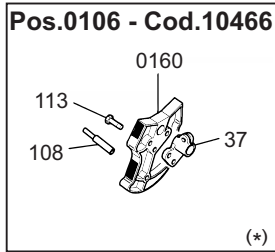
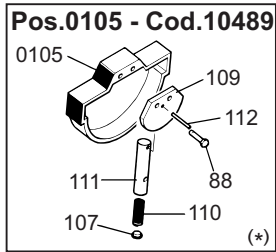
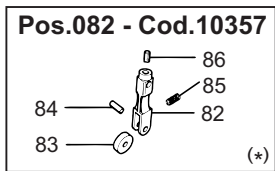
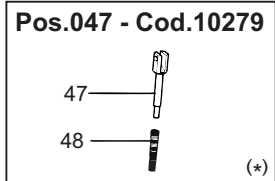
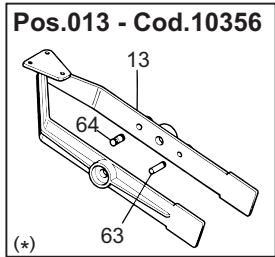
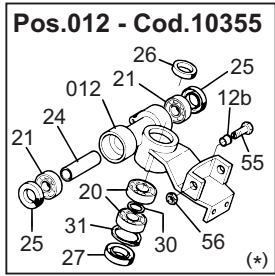
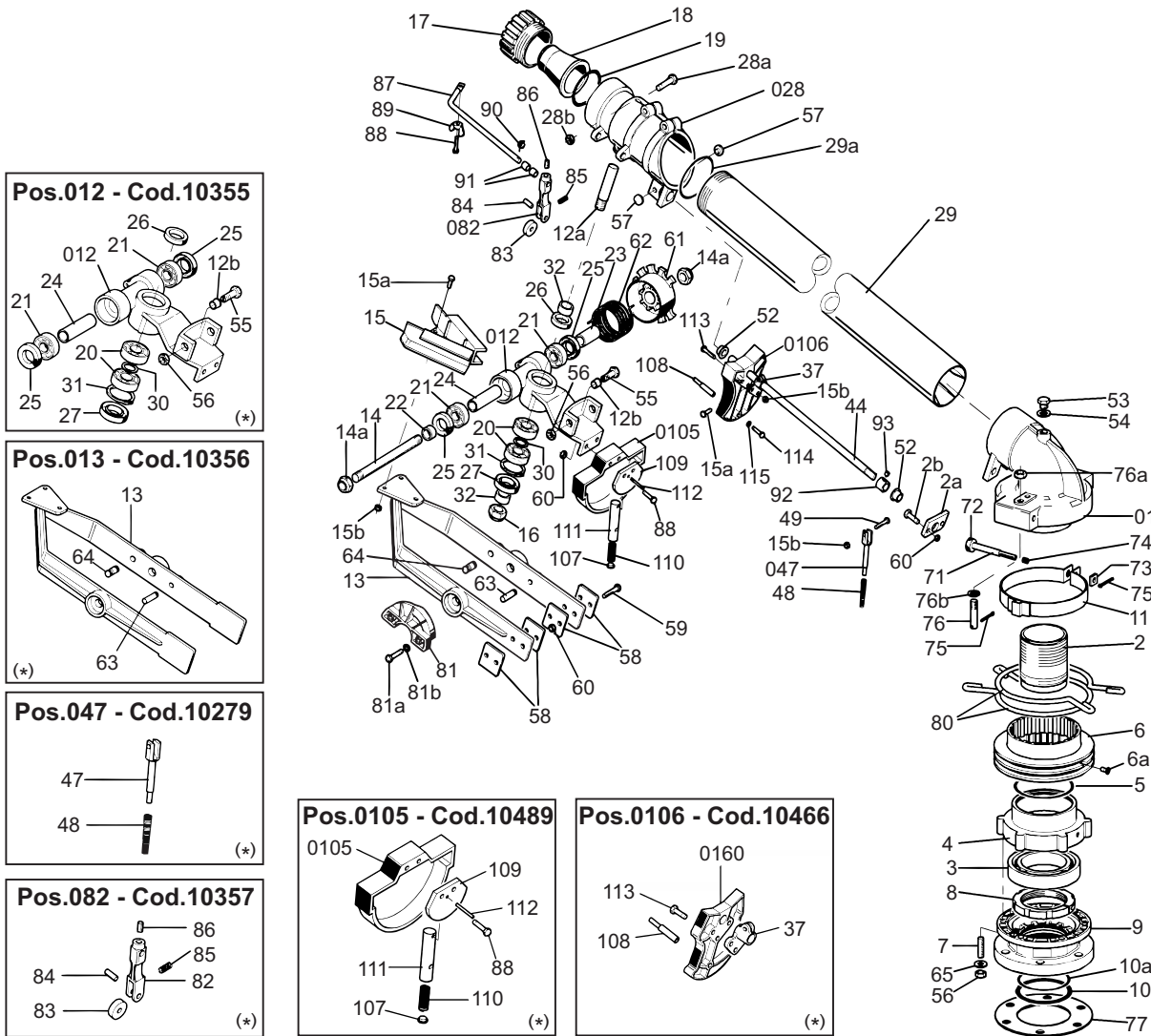
CODE	SIZE	PRICE
SIMEFL-78X130	3"	R780.00

CONNECTION SIZE FLANGE	mm	78x130
NET WEIGHT	kg	10.5
PACKAGING SIZE	cm	107X28X33
BOX QUANTITY	each	1

SPECIFICATIONS

U Nozzle diameter	P Pressure	G Jet Length	Q Capacity	Values for a single sprinkler						
				S Irrigated area	I Rainfall per hour					
mm	inch	kg/cm ²	lbs/inch	m	feet	l/min	m ³ /h	G.P.M.	m ²	mm/h
26	1,02	3	44	41,0	135	732	43,9	193	5281	8,3
		4	56	46,0	151	846	50,7	223	6664	7,6
		5	70	50,0	164	946	56,7	250	7850	7,2
		6	85	54,0	177	1037	62,2	274	9156	6,8
28	1,10	3	44	43,0	141	848	50,9	224	5808	8,7
		4	56	48,0	157	981	58,8	259	7238	8,1
		5	70	52,0	170	1096	65,7	289	8494	7,7
		6	85	56,0	184	1202	72,1	317	9847	7,3
30	1,18	3	44	44,5	146	974	58,4	257	6217	9,4
		4	56	50,0	164	1127	67,6	297	7850	8,6
		5	70	54,0	177	1260	75,6	332	9156	8,2
		6	85	58,0	190	1381	82,8	364	10562	7,8
32	1,26	4	56	52,0	170	1282	76,9	337	8494	9,0
		5	70	56,0	184	1433	85,9	377	9847	8,7
		6	85	59,5	195	1570	94,2	413	11116	8,5
		7	100	63,0	207	1694	101,6	445	12462	8,1
34	1,34	4	56	54,0	177	1448	86,9	382	9156	9,5
		5	70	57,5	187	1619	97,1	427	10381	9,3
		6	85	61,0	202	1774	106,4	468	11683	9,1
		7	100	65,0	218	1913	114,8	505	13266	8,6





CODE N°	POSITION	PRICE
S10528	01	R7 627.21
S3010530	2a	R116.13
S30513	2b	R10.04
S30455	3	R1 192.73
S10536	4	R2 573.79
S3010658	5	R78.47
S3010659	6	R1 004.41
S3010660	6a	R12.56
S30474	7	R97.30
S3010739	8	R1 224.12
S3010661	9	R1 538.00
S3010532	10	R28.25
S3010531	10a	R28.25
S3010122	11	R756.44
S10355	012	R3 954.85
S3010281	12	R1 820.49
S3010333	12b	R116.13

CODE N°	POSITION	PRICE
S10356	013	R3 829.30
S3010302	14	R662.28
S30579	14a	R40.80
S3010303	15	R709.36
S30783	15a	R5.65
S30270	15b	R7.53
S3010304	16	R53.36
S30056	17	R163.22
S30063	18	R100.44
S30064	19	R13.81
S301002	20	R338.99
S30551	21	R304.46
S3010305	22	R163.22
S3010306	23	R204.02
S3010307	24	R219.71
S3010308	25	R138.11
S3010309	26	R84.75
S3010310	27	R87.89
S10499	028	R2 573.79
S3010480	28b	R6.91
S20260	29	R1 443.83
S3010689	29a	R53.36
S3010314	30	R53.36
S301003	31	R25.11
S3010315	32	R185.19
S3010318	37	R439.43

CODE N°	POSITION	PRICE
S20261	44	R602.64
S10279	047	R693.67
S3010324	52	R75.33
S30102	53	R75.33
S30103	54	R4.39
S30426	55	R18.20
S30475	56	R6.91
S3010325	57	R25.74
S3010326	58	R200.88
S30511	60	R7.53
S3010327	61	R298.18
S3010328	62	R194.60
S30523	65	R6.59
S10281	071	R241.69
S3010205	73	R43.94
S3010161	75	R14.44
S3010850	76	R138.11
S30429	76a	R11.93

CODE N°	POSITION	PRICE
S30471	77	R91.02
S3010109	80	R345.26
S3010344	81	R301.32
S3010148	81a	R13.18
S30557	81b	R7.53
S10357	082	R709.36
S3010349	83	R69.05
S3010346	84	R26.37
S3010347	85	R16.32
S301084	86	R13.18
S20203	87	R310.74
S30459	88	R11.93
S30904	89	R40.80
S30492	90	R16.95
S30950	91	R37.67
S3010351	92	R78.47
S3010445	93	R8.16
S10489	0105	R1 349.67
S10466	0106	R1 286.90
S3010575	107	R72.19
S3010576	108	R97.30
S3010546	109	R37.67
S3010608	110	R50.22
S3010612	111	R200.88
S30910	112	R10.04
S3010441	113	R8.16
S3010462	114	R6.91
S30532	115	R7.53

SIME KRONOS

46° ÷ 16° (FULL & PART CIRCLE)

SIME KRONOS is a slow reverse sprinkler with variable jet-angle for middle or high capacity rotating at full or part circle. Suitable for watering machines or normal installations, particularly in wind swept land, fields with low electric air-lines a high voltage and for fertilization. It works without problems also slope wise.



GUN

CODE	PRICE
KRONOS	R 38 000.00
Set of nozzles included in price (Sizes 30mm, 32mm, 34mm, 36mm & 38mm) and pressure gauge included in price	

NOZZLES

CODE	PRICE
NZ- SIZE mm? ...(SIME)	R180.00

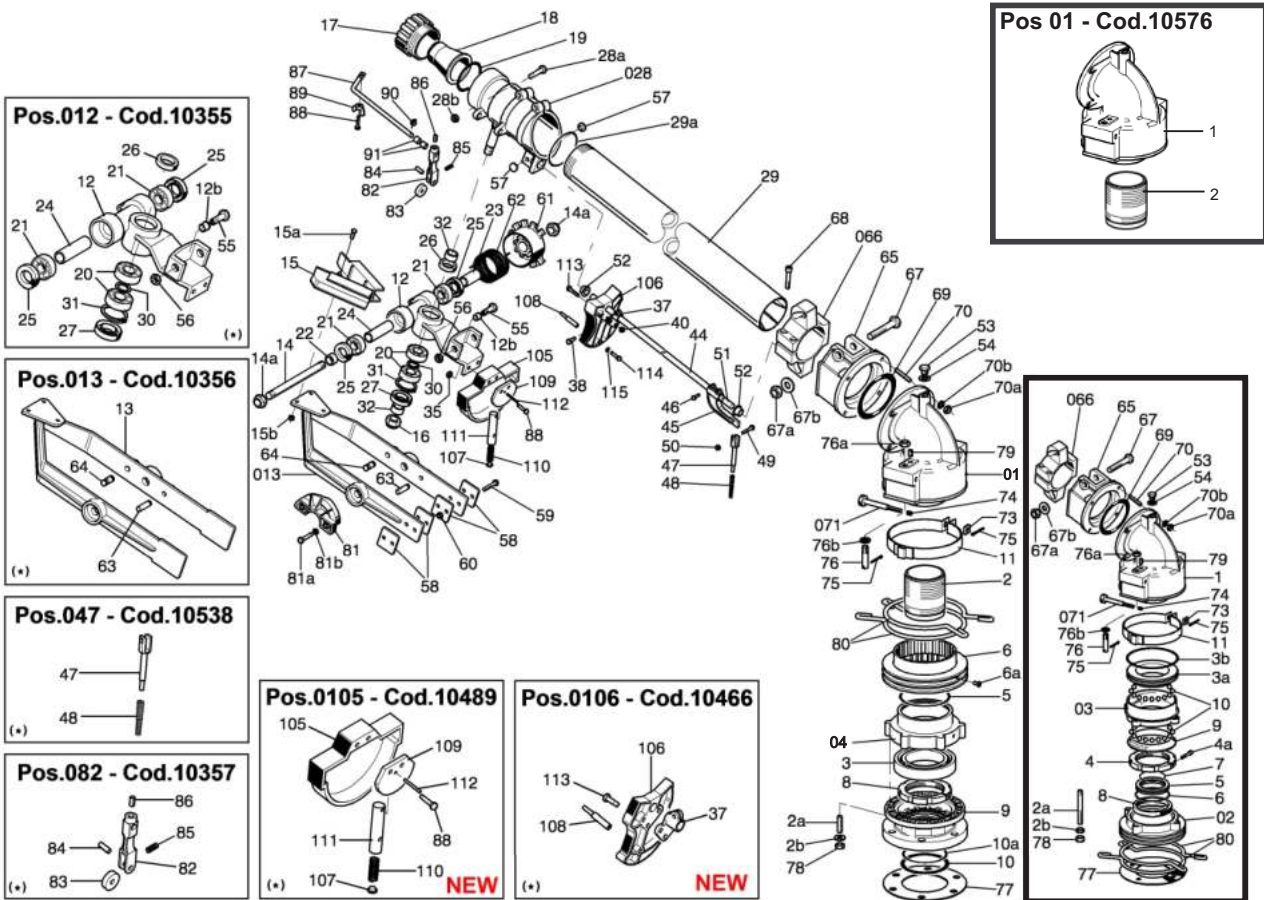
FLANGE (80mm BSP)

CODE	SIZE	PRICE
SIMEFL-78X130	3"	R780.00

CONNECTION SIZE FLANGE	mm	78x130
NET WEIGHT	kg	12
PACKAGING SIZE	cm	123x28x33
HOLE CENTRE TO CENTRE	mm	130
BOX QUANTITY	each	1

SPECIFICATIONS

U Nozzle diameter	P Pressure	G Jet Length		Q Capacity			Values for a single sprinkler		Square pattern for irrigators		Triangular pattern						
							S Irrigated area	I Rainfall per hour	D Distance of sprinklers on the pipeline	S Irrigated area	I Rainfall per hour	D Distance of sprinklers on the pipeline	D ₁ Distance between 2 contiguous pipelines	S Irrigated area	I Rainfall per hour		
mm	inch	kg/cm ²	lbs/inch	m	feet	l/min	m ³ /h	G.P.M.	m ²	mm/h	m	m ²	mm/h	m	m	m ²	mm/h
30	1 1/16	3	44	48	157	974	58.4	257	7234	8.1	86	4128	14.2	83	72	5976	9.8
		4	56	52	170	1127	67.6	297	8490	7.9	93	4836	13.9	90	78	7020	9.6
		5	70	56	184	1260	75.6	332	9847	7.7	100	5600	13.5	96	84	8064	9.4
		6	85	60	196	1381	82.8	364	11304	7.4	108	6480	12.8	103	90	9270	8.9
32	1 1/8	4	56	54	177	1282	76.9	338	9156	8.4	97	5238	14.7	93	81	1733	10.2
		5	70	58	190	1433	85.9	378	10562	8.1	104	6032	14.3	100	87	8700	9.9
		6	85	62	202	1570	94.2	414	12070	7.8	111	6882	13.7	107	93	9951	9.5
		7	100	66	217	1694	101.6	447	13677	7.4	118	7788	13.1	114	99	11286	9.0
34	1 1/32	5	70	59	192	1619	97.1	427	10930	8.9	106	6254	15.5	102	88	8976	10.8
		6	85	64	210	1774	106.4	468	12861	8.3	115	7360	14.5	110	96	10560	10.1
		7	100	68	223	1913	114.8	505	14519	7.9	122	8296	13.8	117	102	11934	9.6
		8	115	72	236	2048	122.8	538	16277	7.5	129	9288	13.2	124	108	13392	9.2
36	1.42	5	70	61	199	1814	108.8	477	11683	9.3	109	6649	16.3	105	91	9555	11.4
		6	85	66	217	1988	119.3	523	13677	8.7	118	7788	15.3	114	99	11286	10.6
		7	100	70	229	2144	128.6	564	15386	8.4	126	8820	14.6	121	105	12705	10.1
		8	115	74	242	2295	137.7	603	17194	8.4	133	9842	14.0	128	111	14208	9.7
38	1.5	5	70	63	206	2022	212.3	532	12462	9.7	113	7119	17.0	108	94	10152	12.0
		6	85	68	223	2216	132.9	583	14519	9.2	122	8296	16.0	117	102	11934	11.2
		7	100	72	236	2390	143.4	628	16277	8.8	129	9288	15.4	124	108	13392	10.7
		8	115	76	249	2558	153.5	673	18136	8.5	136	10336	14.8	131	114	14934	10.3
40	1.57	5	70	65	213	2240	134.4	589	13266	10.1	117	7605	17.7	112	97	10864	12.4
		6	85	69	226	2455	147.3	646	14949	9.9	124	8556	17.2	119	103	12257	12.0
		7	100	73	239	2648	158.9	696	16733	9.5	131	9563	16.6	126	109	13734	11.6
		8	115	78	255	2834	170.0	745	19103	8.9	140	10920	15.6	134	117	15678	10.8



CODEN°	POSITION	PRICE
S10576	01	R8 694.39
S3010312	1 - old	R4 959.26
S10363	02 - old	R2 354.08
S30474	2a	R97.30
S3010113	2a - old	R97.30
S30116	2b - old	R5.65
S30455	3	R1 192.73
S10344	03 - old	R2 259.91
S3010115	3a - old	R1 632.16
S301067	3b - old	R34.53
S10536	04	R2 573.79
S3010116	4 - old	R1 192.73
S301014	4a - old	R14.44
S3010658	5	R78.47
S3010117	5 - old	R1 004.41
S3010659	6	R1 004.41
S3010123	6 - old	R40.80
S3010660	6a	R12.56
S30946	7 - old	R34.53
S3010739	8	R1 224.12
S3010179	8 - old	R166.35
S3010661	9	R1 538.00
S3010134	9 - old	R756.44
S3010532	10	R28.25
S30048	10 - old	R5.65
S3010531	10a	R28.25
S3010122	11	R756.44
S10355	012	R3 954.85
S3010333	12b	R116.13
S10356	013	R3 829.30
S3010302	14	R662.28
S30579	14a	R40.80
S3010303	15	R709.36
S30783	15a	R5.65
S30270	15b	R7.53
S3010304	16	R53.36

CODEN°	POSITION	PRICE
S30056	17	R1 632.16
S30064	19	R13.81
S301002	20	R338.99
S30551	21	R304.46
S3010305	22	R163.22
S3010306	23	R204.02
S3010307	24	R219.71
S3010308	25	R138.11
S3010309	26	R84.75
S3010310	27	R87.89
S10359	028	R2 573.79
S30926	28a	R20.72
S3010480	28b	R6.91
S20198	29	R1 538.00
S3010313	29a	R59.64
S3010314	30	R53.36
S301003	31	R25.11
S3010315	32	R185.19
S10438	033 - old	R1 004.41
S30511	35	R7.53
S10439	036 - old	R1 098.57
S3010318	37	R439.43
S30783	38	R5.65
S30530	39 - old	R10.04
S30270	40	R7.53
S3010319	41 - old	R119.27
S3010320	42 - old	R178.91
S30270	43 - old	R7.53
S30532	43a - old	R7.53
S20268	44	R624.62
S20199	44 - old	R580.67
S3010759	45	R831.77
S3010322	45 - old	R831.77
S30783	46	R5.65
S10538	047	R693.67
S10279	047 - old	R693.67

CODEN°	POSITION	PRICE
S3010773	48	R72.19
S30510	48 - old	R69.05
S30530	49	R10.04
S30270	50	R7.53
S3010323	51	R169.49
S3010324	52	R75.33
S30102	53	R75.33
S30103	54	R4.39
S30426	55	R18.20
S30475	56	R6.91
S3010325	57	R25.74
S3010326	58	R200.88
S30511	60	R7.53
S3010327	61	R298.18
S3010328	62	R194.60
S3010756	65	R2 416.85
S3010172	65 - old	R2 354.08
S10521	066	R2 259.91
S10361	066 - old	R2 040.20
S3010174	67	R47.08
S3010175	67a	R40.80
S30438	67b	R10.04
S3010176	68	R31.39
S3010758	69	R222.85
S3010177	69 - old	R160.08
S3010269	70	R97.30
S30475	70a	R6.91
S10281	071	R241.69
S3010205	73	R43.94
S3010161	75	R14.44
S3010850	76	R138.11

CODEN°	POSITION	PRICE
S3010332	76 - old	R138.11
S30429	76a	R11.93
S30471	77	R91.02
S3010170	77 - old	R91.02
S30475	78	R6.91
S30121	78 - old	R7.53
S30724	79	R7.53
S3010109	80	R345.26
S3010344	81	R301.32
S3010148	81a	R13.18
S30557	81b	R7.53
S10357	082	R709.36
S3010349	83	R69.05
S3010346	84	R26.37
S3010347	85	R16.32
S301084	86	R13.18
S20203	87	R310.74
S30459	88	R11.93
S30904	89	R40.80
S30492	90	R16.95
S30950	91	R37.67
S3010590	100 - old	R103.58
S10489	0105 - NEW	R1 349.67
S10466	0106 - NEW	R1 286.90
S3010575	107	R72.19
S3010576	108	R97.30
S3010546	109	R37.67
S3010608	110	R50.22
S3010612	111	R200.88
S30910	112	R10.04
S3010441	113	R8.16
S3010462	114	R6.91
S30532	115	R7.53



SOLVENT WELD

(uPVC VALVES & FITTINGS)

KLEBOC PVC WELD GLUE	Pg. 148
uPVC VALVES & FITTINGS	Pg. 149 - 157
uPVC THREADED FITTINGS	Pg. 158 - 159

KP550 HIGH PRESSURE THIXOTROPIC PVC WELD GLUE



Kleboc KP550 High Pressure PVC Weld Glue is a clear viscous solvent-based polyvinylchloride adhesive. Used for joining PVC, uPVC, cPVC and ABS pipes and fittings in irrigation and agricultural applications where high pressure is achieved.

CODE	SIZE (ml)	BOX QTY	PRICE
KP550-250	250ml	30	R200.49
KP550-500	500ml	20	R282.88

SPECIFICATION:

- Appearance : Clear Colourless Viscous Liquid
- Viscosity : ≥ 1500 mPas
- Flash Point : $\leq 25^{\circ}\text{C}$
- Specific Gravity : 0.920 to 0.950
- Shelf Life : ≥ 6 months when unopened
- Packaging : Brush-Top Tin

APPLICATION TESTS:

According to EN14814, DIN16970, EC1935/2004

- Thickness : ≥ 0.2 mm
- Sufficiently flexible
- Film Shear Strength : 1 hour ≥ 0.6 MPa
24hours ≥ 2.0 MPa
14 days ≥ 5.0 MPa

Wet Film Properties Thin film applied to flat plate does not flow or drip when held in the vertical position for 5 minutes.
Dry Film Properties Even, continuous and free from lumps or foreign matter.

REF: TEST REPORT 3/11994 INTERNAL MEMO
1 hour @ 24 Bar Pressure : Passed
Using 63mm Class 16 pipe and injection moulded sockets were assembled, using the above adhesives.

PACKAGING:

250 ml and 500 ml steel cans with brushes attached to caps

DIRECTIONS FOR USE:

- Clean pipes of dust, grease and oil with MEK solvent pipe cleaner.
- Stir well, apply adhesive in an even layer, to the pipe and fitting and assemble immediately, whilst wet.
- Brush the excess around the joint for full seal.
- Handling strength in 15 minutes.
- Full pressure after 24 hours

CAUTION:

- Irritant: Apply in well ventilated area.
- Flammable liquid.
- Avoid contact with eyes and skin. In case of contact rinse with water and seek medical assistance.
- Keep out of reach of children and animals

All products are manufactured to strict specifications and tested in controlled conditions, therefore the manufacturers nor distributors can held responsible for the use of these products outside of their control. It is advisable to test on your own application.

KP700 PVC PIPE CLEANER



CODE	SIZE (ml)	BOX QTY	PRICE
KP700	500ml	18	R121.69

TANGIT PVC GLUE



CODE	SIZE (ml)	BOX QTY	PRICE
SWG050	50ml	12	R92.36
SWG100	100ml	20	R139.65
SWG250	250ml	20	R255.00
SWG500	500ml	10	R425.22

**UV RESISTANT
EXTRA STRENGTH
PROVEN DURABILITY**



**uPVC SOLVENT
WELD**

TOMMY

THREADED ONE PIECE COMPACT BALL VALVE



**N.B. Size printed on body
" Inches is thread and
mm is Glue On "**

Max Working Pressure 10 Bar

CODE	BSP	SIZE	BOX QTY	PRICE
SWBV015BSP	1/2 "	15mm	300	R11.84
SWBV020BSP	3/4 "	20mm	190	R18.68
SWBV025BSP	1 "	25mm	100	R31.00
SWBV032BSP	1 1/4 "	32mm	70	R43.72
SWBV040BSP	1 1/2 "	40mm	50	R57.87
SWBV050BSP	2 "	50mm	30	R98.00
SWBV065BSP	2 1/2 "	65mm	12	R228.88
SWBV080BSP	3 "	80mm	8	R310.51
SWBV100BSP	4 "	100mm	6	R740.95

SOCKETED ONE PIECE COMPACT BALL VALVE



Max Working Pressure 10 Bar

CODE	SIZE	BOX QTY	PRICE
SWBV020GO	20mm	300	R11.84
SWBV025GO	25mm	190	R18.68
SWBV032GO	32mm	100	R31.00
SWBV040GO	40mm	70	R43.72
SWBV050GO	50mm	50	R57.87
SWBV063GO	63mm	30	R98.00
SWBV075GO	75mm	12	R228.88
SWBV090GO	90mm	8	R310.51
SWBV110GO	110mm	6	R740.95

THREADED SINGLE UNION BALL VALVE



Max Working Pressure 10 Bar

CODE	BSP	SIZE	BOX QTY	PRICE
SWSUBV015T	1/2 "	15mm	168	R22.96
SWSUBV020T	3/4 "	20mm	105	R36.69
SWSUBV025T	1 "	25mm	84	R52.81
SWSUBV032T	1 1/4 "	32mm	30	R87.28
SWSUBV040T	1 1/2 "	40mm	32	R127.13
SWSUBV050T	2 "	50mm	12	R220.92
SWSUBV065T	2 1/2 "	65mm	6	R312.43
SWSUBV080T	3 "	80mm	2	R612.34
SWSUBV100T	4 "	100mm	2	R996.47

SOCKETED SINGLE UNION BALL VALVE



Max Working Pressure 10 Bar

CODE	SIZE	BOX QTY	PRICE
SWSUBV020G	20mm	168	R22.96
SWSUBV025G	25mm	105	R36.25
SWSUBV032G	32mm	84	R52.40
SWSUBV040G	40mm	30	R86.15
SWSUBV050G	50mm	40	R124.58
SWSUBV063G	63mm	12	R219.00
SWSUBV075G	75mm	6	R309.63
SWSUBV090G	90mm	2	R617.36
SWSUBV110G	110mm	2	R986.31



TOMMY

THREADED DOUBLE UNION BALL VALVE



Max Working Pressure 10 Bar

CODE	BSP	SIZE	BOX QTY	PRICE
SWDUBV020T	3/4 "	20mm	84	R46.22
SWDUBV025T	1 "	25mm	36	R66.96
SWDUBV032T	1 1/4 "	32mm	30	R108.46
SWDUBV040T	1 1/2 "	40mm	24	R149.79
SWDUBV050T	2 "	50mm	12	R259.37
SWDUBV065T	2 1/2 "	65mm	6	R352.33
SWDUBV080T	3 "	80mm	2	R682.23
SWDUBV100T	4 "	100mm	2	R1 146.62

GLUE ON DOUBLE UNION BALL VALVE



Max Working Pressure 10 Bar

CODE	SIZE	BOX QTY	PRICE
SWDUBV025G	25mm	84	R45.59
SWDUBV032G	32mm	36	R66.13
SWDUBV040G	40mm	30	R108.46
SWDUBV050G	50mm	24	R148.47
SWDUBV063G	63mm	12	R258.60
SWDUBV075G	75mm	6	R352.33
SWDUBV090G	90mm	2	R682.23
SWDUBV110G	110mm	2	R1 146.62

HIGH CAPACITY PLASTIC FLOAT VALVE



Max Working Pressure 1 - 6 Bar

CODE	SIZE	FLOW RATE	BOX QTY	PRICE
SWPFV015	15mm	3 L/S @ 6 BAR	100	R105.65
SWPFV020	20mm	4.2 L/S @ 6 BAR	100	R113.67
SWPFV025	25mm	5.3 L/S @ 6 BAR	80	R164.00
SWPFV032	32mm	5.5 L/S @ 6 BAR	70	R200.38
SWPFV040	40mm	10 L/S @ 6 BAR	65	R321.00
SWPFV050	50mm	10.5 L/S @ 6 BAR	65	R365.30
SWPFV065	65mm	12.5 L/S @ 6 BAR	50	R436.95

ABS BROWN PLASTIC TAP



Outlet
Always 20mm

"size refers to inlet size only, outlet always 20mm"

CODE	SIZE	BOX QTY	PRICE
SWPBT015	15mm	240	R26.26
SWPBT020	20mm	240	R27.00

CROSS HANDLE TAP



Hose Tail
Always 15mm

CODE	SIZE	BOX QTY	PRICE
SWCHT015	15mm	240	R27.13
SWCHT020	20mm	240	R27.71

CONTAINER TAP SCREWED MALE



Hose Tail
Always 15mm

CODE	SIZE	BOX QTY	PRICE
SWCT015	15mm	240	R27.13
SWCT020	20mm	240	R27.71



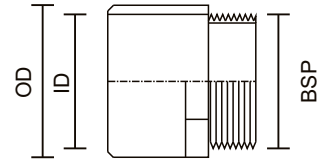
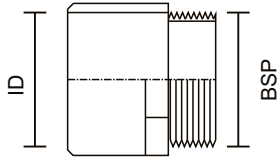
**UV RESISTANT
EXTRA STRENGTH
PROVEN DURABILITY**



**uPVC SOLVENT
WELD**

TOMMY

uPVC SOLVENT WELD MALE ADAPTOR



Codes read as follows : SWMA025020
 ID BSP

Codes read as follows : SWMA025020015
 OD ID BSP

DOUBLE SIZE			
CODE	SIZE	BOX QTY	PRICE
SWMA020015	20mm x 15mm	500	R3.00
SWMA020020	20mm x 20mm	480	R3.24
SWMA025020	25mm x 20mm	320	R4.50
SWMA025025	25mm x 25mm	280	R5.27
SWMA032025	32mm x 25mm	212	R7.80
SWMA032032	32mm x 32mm	180	R9.00
SWMA040032	40mm x 32mm	120	R12.44
SWMA040040	40mm x 40mm	120	R12.52
SWMA050040	50mm x 40mm	96	R17.69
SWMA050050	50mm x 50mm	72	R20.32
SWMA063050	63mm x 50mm	74	R29.66
SWMA075065	75mm x 65mm	45	R47.43
SWMA090080	90mm x 80mm	54	R80.28
SWMA110100	110mm x 100mm	24	R138.23

TRIPLE SIZE			
CODE	SIZE	BOX QTY	PRICE
SWMA025020015	25mm x 20mm x 15mm	500	R3.57
SWMA025020020	25mm x 20mm x 20mm	500	R3.79
SWMA032025020	32mm x 25mm x 20mm	300	R5.44
SWMA032025025	32mm x 25mm x 25mm	300	R5.93
SWMA040032025	40mm x 32mm x 25mm	240	R7.00
SWMA040032032	40mm x 32mm x 32mm	240	R9.86
SWMA050040025	50mm x 40mm x 25mm	140	R13.73
SWMA050040032	50mm x 40mm x 32mm	105	R14.94
SWMA050040040	50mm x 40mm x 40mm	105	R15.22
SWMA063050040	63mm x 50mm x 40mm	168	R22.88
SWMA063050050	63mm x 50mm x 50mm	126	R25.21
SWMA075063050	75mm x 63mm x 50mm	120	R32.93
SWMA090075050	90mm x 75mm x 50mm	84	R53.03
SWMA090075080	90mm x 75mm x 80mm	84	R64.10
SWMA110090080	110mm x 90mm x 80mm	54	R93.32
SWMA125110080	125mm x 110mm x 80mm	50	R120.15
SWMA125110100	125mm x 110mm x 100mm	50	R137.29



uPVC SOLVENT WELD FEMALE ADAPTOR

(Plain / Threaded Socket)



CODE	SIZE	BOX QTY	PRICE
SWFA020015	20mm x 15mm	450	R3.19
SWFA025020	25mm x 20mm	300	R4.70
SWFA032025	32mm x 25mm	216	R7.53
SWFA040032	40mm x 32mm	133	R12.00
SWFA050040	50mm x 40mm	72	R19.94
SWFA063050	63mm x 50mm	105	R34.82
SWFA075065	75mm x 65mm	75	R49.00
SWFA090080	90mm x 80mm	22	R85.33
SWFA110100	110mm x 100mm	24	R131.72



TOMMY

uPVC SINGLE UNION THREADED CHECK VALVE

(Non Return)

"Inches is thread and mm is Glue on"

uPVC SINGLE UNION SOLVENT WELD CHECK VALVE

(Non Return)



Max Working Pressure 10 Bar

CODE	SIZE	BOX QTY	PRICE
SWCV015T	1/2"	180	R21.28
SWCV020T	3/4"	90	R39.99
SWCV025T	1"	72	R58.97
SWCV032T	1 1/4"	40	R87.61
SWCV040T	1 1/2"	30	R101.12
SWCV050T	2"	24	R168.24

Max Working Pressure 10 Bar

CODE	SIZE	BOX QTY	PRICE
SWCV020G	20mm	180	R21.20
SWCV025G	25mm	90	R39.88
SWCV032G	32mm	72	R58.69
SWCV040G	40mm	40	R87.20
SWCV050G	50mm	36	R100.77
SWCV063G	63mm	24	R165.14



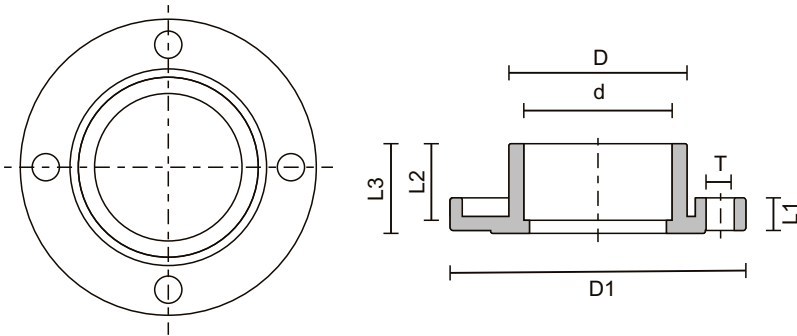
uPVC SOLVENT WELD UNION



Max Working Pressure 10 Bar

CODE	SIZE	BOX QTY	PRICE
SWU020	20mm	288	R10.00
SWU025	25mm	240	R13.84
SWU032	32mm	123	R22.55
SWU040	40mm	72	R36.91
SWU050	50mm	45	R43.59
SWU063	63mm	24	R77.15
SWU075	75mm	16	R139.76
SWU090	90mm	12	R210.00
SWU110	110mm	8	R339.15

uPVC SOLVENT WELD FLANGED ADAPTOR



**IR Rings
on page 50**

CODE	SIZE	D	d	D1	L1	L2	L3	T	PRICE
SWA020FL	20mm	27mm	20.3mm	95mm	14mm	16mm	20.2mm	4X13.5	R24.76
SWA025FL	25mm	33mm	25.3mm	105mm	16mm	19mm	23.2mm	4X14	R36.10
SWA032FL	32mm	40mm	32.4mm	115mm	16mm	22mm	26.2mm	4X14	R42.53
SWA040FL	40mm	50mm	40.4mm	140mm	16mm	26mm	30.5mm	4X18	R54.21
SWA050FL	50mm	61mm	50.4mm	150mm	17.6mm	30.5mm	34.1mm	4X18	R77.13
SWA063FL	63mm	76mm	63.4mm	164.6mm	18mm	38.9mm	43mm	4X18	R100.84
SWA075FL	75mm	90mm	75.5mm	185mm	19.3mm	44mm	48mm	8X18	R142.35
SWA090FL	90mm	106.8mm	90.5mm	194.5mm	22.2mm	46.5mm	54mm	8X18	R194.57
SWA110FL	110mm	131mm	110.6mm	220mm	24mm	57.6mm	66.6mm	8X18	R294.24



uPVC SOLVENT WELD SERRATED STUB



**IR Rings
on page 50**

**Refer to page 53
for backing ring**

CODE	SIZE	BOX QTY	PRICE
SS075	75mm	80	R32.41
SS090	90mm	48	R51.17
SS110	110mm	36	R85.96
SS125	125mm	20	R160.55
SS160	160mm	18	R220.18
SS200	200mm	12	R424.87
SS250	250mm	4	R785.63
SS315	315mm	2	R1 151.78

TOMMY

uPVC SOLVENT WELD REDUCING BUSH



**Max working pressure
20mm-110mm -16 Bar
125mm,140mm, 160mm, 200mm & ABOVE - 10 BAR**

CODE	SIZE	BOX QTY	PRICE
SWRB025020	25mm x 20mm	1 300	R1.42
SWRB032020	32mm x 20mm	540	R2.88
SWRB032025	32mm x 25mm	540	R2.25
SWRB040020	40mm x 20mm	340	R5.25
SWRB040025	40mm x 25mm	340	R5.49
SWRB040032	40mm x 32mm	350	R4.22
SWRB050020	50mm x 20mm	234	R8.68
SWRB050025	50mm x 25mm	234	R9.15
SWRB050032	50mm x 32mm	234	R7.87
SWRB050040	50mm x 40mm	234	R8.00
SWRB063025	63mm x 25mm	175	R15.68
SWRB063032	63mm x 32mm	175	R16.56
SWRB063040	63mm x 40mm	175	R13.73
SWRB063050	63mm x 50mm	175	R11.89
SWRB075050	75mm x 50mm	108	R19.83
SWRB075063	75mm x 63mm	108	R16.59
SWRB090050	90mm x 50mm	108	R39.58
SWRB090063	90mm x 63mm	100	R30.95
SWRB090075	90mm x 75mm	100	R28.34
SWRB110063	110mm x 63mm	80	R68.11
SWRB110075	110mm x 75mm	80	R55.37
SWRB110090	110mm x 90mm	80	R53.55
SWRB125110	125mm x 110mm	50	R124.66
SWRB140125	140mm x 125mm	24	R190.49
SWRB160090	160mm x 90mm	18	R210.35
SWRB160110	160mm x 110mm	18	R159.70
SWRB200160	200mm x 160mm	1	R566.72

uPVC PIPE SUPPORT CLIP



For use with PVC pipe

CODE	SIZE	BOX QTY	PRICE
SWPSC020	20mm	2 000	R4.61
SWPSC025	25mm	1 500	R6.89
SWPSC032	32mm	1 000	R10.13
SWPSC040	40mm	1 000	R14.25
SWPSC050	50mm	1 000	R16.97

POLY PROP PIPE SUPPORT CLIP



For use with PVC pipe

CODE	SIZE	BOX QTY	PRICE
SWPSC063	63mm	270	R25.00
SWPSC075	75mm	240	R26.69
SWPSC090	90mm	120	R29.14
SWPSC110	110mm	120	R34.22



uPVC SOLVENT WELD 45° ELBOW



**Max working pressure
20mm-110mm & 160mm -16 Bar
125mm,140mm, 200mm & ABOVE - 10 BAR**

CODE	SIZE	BOX QTY	PRICE
SWE045020	20mm	500	R 2.99
SWE045025	25mm	300	R 4.89
SWE045032	32mm	150	R 8.71
SWE045040	40mm	88	R 14.45
SWE045050	50mm	48	R 23.34
SWE045063	63mm	80	R 41.66
SWE045075	75mm	40	R 67.53
SWE045090	90mm	21	R 113.18
SWE045110	110mm	12	R 193.00
SWE045160	160mm	4	R 584.98
SWE045200	200mm	2	R 816.53
SWE045250	250mm	2	R 1 468.00
SWE045315	315mm	1	R 2 979.10

uPVC SOLVENT WELD 90° ELBOW



**Max working pressure
20mm-110mm & 160mm -16 Bar
125mm,140mm, 200mm & ABOVE - 10 BAR**

CODE	SIZE	BOX QTY	PRICE
SWE090020	20mm	380	R3.71
SWE090025	25mm	220	R5.96
SWE090032	32mm	124	R10.57
SWE090040	40mm	75	R17.47
SWE090050	50mm	56	R28.21
SWE090063	63mm	34	R51.91
SWE090075	75mm	27	R83.74
SWE090090	90mm	16	R142.40
SWE090110	110mm	9	R244.00
SWE090140	140mm	16	R244.00
SWE090160	160mm	4	R700.14
SWE090200	200mm	2	R1 055.47
SWE090250	250mm	2	R1 712.62
SWE090315	315mm	1	R3 678.19

uPVC SOLVENT WELD CROSS



NEW

**Max working pressure
20mm-110mm & 160mm -16 Bar
125mm,140mm, 200mm & ABOVE - 10 BAR**

CODE	SIZE	BOX QTY	PRICE
SWC020	20mm	200	R8.15
SWC025	25mm	120	R13.83
SWC032	32mm	65	R22.65
SWC040	40mm	35	R44.14
SWC050	50mm	60	R65.22
SWC063	63mm	45	R119.00
SWC075	75mm	30	R192.35
SWC090	90mm	20	R325.61
SWC110	110mm	12	R524.00
SWC160	160mm	3	R1401.67

**uPVC SOLVENT WELD PLAIN/THREADED FEMALE
ELBOW 90° (ROB)**



**Max working pressure
20mm-110mm & 160mm -16 Bar
125mm,140mm, 200mm & ABOVE - 10 BAR**

CODE	SIZE	BOX QTY	PRICE
SWFE020015	20mm x 15mm	350	R5.00
SWFE025015	25mm x 15mm	260	R5.71
SWFE025020	25mm x 20mm	180	R8.27
SWFE032015	32mm x 15mm	180	R8.54
SWFE032020	32mm x 20mm	160	R9.42
SWFE032025	32mm x 25mm	102	R15.22
SWFE040032	40mm x 32mm	65	R22.77
SWFE050040	50mm x 40mm	84	R32.13
SWFE063050	63mm x 50mm	34	R56.47
SWFE075065	75mm x 65mm	38	R85.00
SWFE090080	90mm x 80mm	20	R148.14
SWFE110100	110mm x 100mm	6	R299.82



TOMMY

uPVC SOLVENT WELD SOCKET



**Max working pressure
20mm-110mm & 160mm -16 Bar
125mm,140mm, 200mm & ABOVE - 10 BAR**

CODE	SIZE	BOX QTY	PRICE
SWS020	20mm	600	R2.36
SWS025	25mm	300	R4.00
SWS032	32mm	240	R6.32
SWS040	40mm	140	R10.55
SWS050	50mm	75	R16.12
SWS063	63mm	117	R29.00
SWS075	75mm	60	R46.99
SWS090	90mm	38	R80.66
SWS110	110mm	18	R138.17
SWS125	125mm	27	R114.41
SWS140	140mm	18	R172.72
SWS160	160mm	6	R386.17
SWS200	200mm	6	R563.94
SWS250	250mm	6	R927.76
SWS315	315mm	2	R1 862.52

uPVC SOLVENT WELD REDUCING SOCKET



**Max working pressure
20mm-110mm & 160mm -16 Bar
125mm,140mm, 200mm & ABOVE - 10 BAR**

CODE	SIZE	BOX QTY	PRICE
SWR025020	25mm x 20mm	360	R3.74
SWR032020	32mm x 20mm	378	R5.30
SWR032025	32mm x 25mm	252	R5.96
SWR040020	40mm x 20mm	190	R8.27
SWR040025	40mm x 25mm	190	R8.95
SWR040032	40mm x 32mm	114	R10.66
SWR050020	50mm x 20mm	100	R13.65
SWR050025	50mm x 25mm	100	R14.42
SWR050032	50mm x 32mm	100	R15.00
SWR050040	50mm x 40mm	70	R17.52
SWR063025	63mm x 25mm	140	R24.00
SWR063032	63mm x 32mm	140	R24.88
SWR063040	63mm x 40mm	156	R25.68
SWR063050	63mm x 50mm	150	R28.75
SWR075050	75mm x 50mm	98	R43.78
SWR075063	75mm x 63mm	32	R49.93
SWR090050	90mm x 50mm	54	R71.46
SWR090063	90mm x 63mm	54	R76.68
SWR090075	90mm x 75mm	54	R84.84
SWR110063	110mm x 63mm	24	R122.63
SWR110075	110mm x 75mm	24	R130.00
SWR110090	110mm x 90mm	24	R143.17
SWR125110	125mm x 110mm	36	R162.00
SWR160110	160mm x 110mm	12	R363.73
SWR160125	160mm x 125mm	24	R287.00
SWR160140	160mm x 140mm	24	R310.00
SWR200160	200mm x 160mm	6	R567.90
SWR250200	250mm x 200mm	8	R629.67
SWR315200	315mm x 200mm	2	R1 300.00
SWR315250	315mm x 250mm	2	R1 329.39

uPVC SOLVENT WELD END CAP



**Max working pressure
20mm-110mm & 160mm -16 Bar
125mm,140mm, 200mm & ABOVE - 10 BAR**

CODE	SIZE	BOX QTY	PRICE
SWEC020	20mm	1 000	R1.62
SWEC025	25mm	600	R2.72
SWEC032	32mm	340	R4.72
SWEC040	40mm	228	R7.69
SWEC050	50mm	125	R12.30
SWEC063	63mm	71	R24.91
SWEC075	75mm	100	R34.19
SWEC090	90mm	36	R60.59
SWEC110	110mm	36	R107.66
SWEC125	125mm	48	R119.00
SWEC140	140mm	20	R179.56
SWEC160	160mm	20	R231.41
SWEC200	200mm	12	R455.57
SWEC250	250mm	6	R520.58
SWEC315	315mm	3	R1 213.19



uPVC SOLVENT WELD EQUAL TEE



**Max working pressure
20mm-110mm & 160mm -16 Bar
125mm,140mm, 200mm & ABOVE - 10 BAR**

CODE	SIZE	BOX QTY	PRICE
SWET020	20mm	250	R4.92
SWET025	25mm	171	R8.00
SWET032	32mm	94	R13.90
SWET040	40mm	50	R23.70
SWET050	50mm	66	R36.39
SWET063	63mm	39	R66.46
SWET075	75mm	20	R110.35
SWET090	90mm	8	R183.54
SWET110	110mm	9	R307.79
SWET125	125mm	18	R301.94
SWET140	140mm	7	R421.43
SWET160	160mm	4	R860.36
SWET200	200mm	4	R1 379.49
SWET250	250mm	2	R2 357.31
SWET315	315mm	1	R5 056.41

uPVC SOLVENT WELD REDUCING TEE



**Max working pressure
20mm-110mm & 160mm -16 Bar
125mm,140mm, 200mm & ABOVE - 10 BAR**

CODE	SIZE	BOX QTY	PRICE
SWRT025020	25mm x 20mm	180	R7.94
SWRT032020	32mm x 20mm	138	R11.95
SWRT032025	32mm x 25mm	101	R13.95
SWRT040020	40mm x 20mm	168	R16.45
SWRT040025	40mm x 25mm	147	R17.82
SWRT040032	40mm x 32mm	46	R20.63
SWRT050020	50mm x 20mm	50	R24.99
SWRT050025	50mm x 25mm	46	R26.86
SWRT050032	50mm x 32mm	44	R29.50
SWRT050040	50mm x 40mm	32	R33.51
SWRT063040	63mm x 40mm	28	R52.68
SWRT063050	63mm x 50mm	23	R58.61
SWRT075040	75mm x 40mm	9	R81.98
SWRT075050	75mm x 50mm	7	R91.54
SWRT075063	75mm x 63mm	6	R105.00
SWRT090063	90mm x 63mm	10	R157.92
SWRT090075	90mm x 75mm	9	R177.31
SWRT110063	110mm x 63mm	7	R236.93
SWRT110075	110mm x 75mm	6	R262.58
SWRT110090	110mm x 90mm	10	R291.83
SWRT125110	125mm x 110mm	18	R305.00
SWRT140110	140mm x 110mm	16	R309.22
SWRT160110	160mm x 110mm	4	R764.21
SWRT160125	160mm x 125mm	5	R467.33
SWRT160140	160mm x 140mm	5	R481.17
SWRT200110	200mm x 110mm	4	R662.35
SWRT200160	200mm x 160mm	4	R916.55
SWRT250160	250mm x 160mm	3	R1 650.56
SWRT250200	250mm x 200mm	2	R1 870.71
SWRT315160	315mm x 160mm	1	R3 393.36
SWRT315200	315mm x 200mm	1	R3 879.45
SWRT315250	315mm x 250mm	1	R4 050.16

**uPVC SOLVENT WELD PLAIN/THREADED
FEMALE TEE (ROT)**



**Max working pressure
20mm-110mm & 160mm -16 Bar
125mm,140mm, 200mm & ABOVE - 10 BAR**

CODE	SIZE	BOX QTY	PRICE
SWFT020015	20mm x 15mm	250	R5.41
SWFT025015	25mm x 15mm	180	R7.53
SWFT025020	25mm x 20mm	162	R9.48
SWFT032015	32mm x 15mm	138	R11.32
SWFT032020	32mm x 20mm	256	R12.52
SWFT032025	32mm x 25mm	90	R16.00
SWFT040032	40mm x 32mm	50	R27.00
SWFT050040	50mm x 40mm	48	R37.43
SWFT063050	63mm x 50mm	49	R64.92
SWFT075065	75mm x 65mm	30	R115.87
SWFT090080	90mm x 80mm	18	R186.00
SWFT110100	110mm x 100mm	11	R350.25



uPVC SOLVENT WELD BARREL NIPPLE



NEW

CODE	SIZE	PRICE
SWBN015	15mm	R2.00
SWBN020	20mm	R3.27
SWBN025	25mm	R5.99
SWBN032	32mm	R10.22
SWBN040	40mm	R12.74
SWBN050	50mm	R19.53

uPVC SOLVENT WELD MALE THREADED PLUG



NEW

CODE	SIZE	PRICE
SWMTP015	15mm	R1.65
SWMTP020	20mm	R2.86
SWMTP025	25mm	R5.71
SWMTP032	32mm	R6.59
SWMTP040	40mm	R8.68
SWMTP050	50mm	R13.43

uPVC SOLVENT WELD THREADED FEMALE ELBOW



NEW

CODE	SIZE	PRICE
SWTE015	15mm	R4.89
SWTE020	20mm	R8.00
SWTE025	25mm	R12.69
SWTE032	32mm	R26.15
SWTE040	40mm	R30.51
SWTE050	50mm	R50.00

uPVC SOLVENT WELD THREADED EQUAL TEE



NEW

CODE	SIZE	PRICE
SWTET015	15mm	R7.00
SWTET020	20mm	R10.77
SWTET025	25mm	R19.88
SWTET032	32mm	R32.52
SWTET040	40mm	R42.82
SWTET050	50mm	R66.85



**UV RESISTANT
EXTRA STRENGTH
PROVEN DURABILITY**



**uPVC SOLVENT
WELD**

TOMMY

uPVC SOLVENT WELD THREADED RED BUSH



NEW

CODE	SIZE	PRICE
SWTRB020015	20mm x 15mm	R1.98
SWTRB025015	25mm x 15mm	R4.45
SWTRB025020	25mm x 20mm	R3.60
SWTRB032020	32mm x 20mm	R7.50
SWTRB032025	32mm x 25mm	R6.48
SWTRB040020	40mm x 20mm	R10.00
SWTRB040025	40mm x 25mm	R9.91
SWTRB040032	40mm x 32mm	R7.33
SWTRB050025	50mm x 25mm	R16.23
SWTRB050032	50mm x 32mm	R16.00
SWTRB050040	50mm x 40mm	R14.00

uPVC SOLVENT WELD THREADED SOCKET



NEW

CODE	SIZE	PRICE
SWTS015	15mm	R4.00
SWTS020	20mm	R6.10
SWTS025	25mm	R9.23
SWTS032	32mm	R14.80
SWTS040	40mm	R21.20
SWTS050	50mm	R31.78

uPVC SOLVENT WELD FEMALE THREADED UNION



NEW

CODE	SIZE	PRICE
SWTU015	15mm	R14.80
SWTU020	20mm	R16.48
SWTU025	25mm	R27.68
SWTU032	32mm	R47.00
SWTU040	40mm	R62.89
SWTU050	50mm	R95.60

uPVC SOLVENT WELD FEMALE THREADED CAP



NEW

NOTE : BSP/Inches part is actual size

CODE	SIZE	PRICE
SWTFC025-3/4"	25mm	R2.17
SWTFC032-1"	32mm	R3.38
SWTFC040-1 1/4"	40mm	R5.63
SWTFC050-1 1/2"	50mm	R9.34
SWTFC063-2"	63mm	R12.14







TANK CONNECTORS

TANK CONNECTORS Pg. 162 - 163





TOMMY

LONG SERIES TANK CONNECTORS



Max working pressure 6 BAR

CODE	SIZE	THREAD LENGTH	FLANGE DIAMETER	PRICE
STC015L	½"	110mm	41mm	R74.26
STC020L	¾"	110mm	48mm	R84.34
STC025L	1"	110mm	55mm	R91.54
STC032L	1¼"	108mm	65mm	R116.67
STC040L	1½"	107mm	71mm	R124.25
STC050L	2"	106mm	86mm	R143.50

SHORT SERIES TANK CONNECTORS



Max working pressure 6 BAR

CODE	SIZE	THREAD LENGTH	FLANGE DIAMETER	PRICE
STC015	½"	50mm	41mm	R21.75
STC020	¾"	50mm	48mm	R17.80
STC025	1"	50mm	55mm	R21.64
STC032	1¼"	48mm	65mm	R30.46 *
STC040	1½"	47mm	71mm	R29.58
STC050	2"	46mm	86mm	R45.86
STC050040	2" Male x 1½" Female	60mm	86mm	R51.82

* Price is more due to manufacturing process

TANK REDUCING BUSH



Max working pressure 6 BAR

CODE	SIZE	THREAD LENGTH	FLANGE DIAMETER	BOX QTY	PRICE
STRB050040	2" Male x 1½" Female	25mm	70mm	260	R17.14

HEAVY DUTY TANK CONNECTOR



Max working pressure 6 BAR

CODE	SIZE	THREAD LENGTH	FLANGE DIAMETER	PRICE
STCHD050040	2" Male x 1½" Female	60mm	90mm	R54.93



TOMMY

ABS LONG SCREW



Max working pressure 6 BAR

CODE	SIZE	PRICE
SLS015	½"	R25.27
SLS020	¾"	R28.15
SLS025	1"	R33.64
SLS032	1¼"	R48.69
SLS040	1½"	R54.98
SLS050	2"	R64.24

TANK CONNECTOR BACK NUT (SHORT & LONG ONLY)



Max working pressure 6 BAR

CODE	SIZE	PRICE
SBNUT015	½"	R5.74
SBNUT020	¾"	R4.86
SBNUT025	1"	R4.86
SBNUT032	1¼"	R6.84
SBNUT040	1½"	R8.21
SBNUT050	2"	R19.00

TANK CONNECTOR GASKET (SHORT & LONG ONLY)



CODE	SIZE	PRICE
STCG015	15mm	R4.81
STCG020	20mm	R5.00
STCG025	25mm	R5.47
STCG032	32mm	R6.10
STCG040	40mm	R6.12
STCG050	50mm	R7.88





TRAVELING IRRIGATORS

IU CRAWLER	Pg. 166
ROTRIX	Pg. 167 - 168
OCMIS	Pg. 169 - 173

IU CRAWLER

IU50

(Up to 40m lane spacing)



- Maximum capacity 18m³/h
- 200m x 3mm diameter galvanised cable
- 100m x 50mm OROFLEX lay flat hose
- Aluminium CAMLOCK male connection
- Solid 350mm rubber wheels
- Hose Reel
- Full hot dipped galvanised
- 1 x SIME JOLLY sprinkler

CODE	PRICE
R-IU50	On request
For Sprinkler Specifications see Page 130	

Average Run 8hr/200m @ 3 BAR

NOZZLE SIZE (in mm)	PRESSURE (BAR)	RADIUS (m)	FLOW (m ³ /h)	LANE SPACING (m)	APPLICATION PER RUN (mm)
10.00	2	19	6.4	26	8.0
	3	21	7.8	30	8.5
	4	22.5	9.0	36	8.5
	5	23.5	10.2	36	9.5
12.00	2	21	8.9	30	10.0
	3	23.5	10.9	36	10.0
	4	26	12.6	36	11.5
	5	28	14.2	30	16.0
14.00	2	22.5	11.8	36	11.0
	3	24	14.4	36	13.5
	4	27	16.7	36	15.5
	5	29	18.6	40	16.0

IU65

(Up to 50m lane spacing)



- Maximum capacity 35m³/h
- 200m x 4mm diameter galvanised cable
- 100m x 63mm OROFLEX lay flat hose
- Aluminium CAMLOCK male connection
- Solid 350mm rubber wheels
- Hose Reel
- Full hot dipped galvanised
- 1 x SIME SENIOR sprinkler

CODE	PRICE
R-IU65	On request
For Sprinkler Specifications see Page 134	

Average Run 8hr/200m @ 3 BAR

NOZZLE SIZE (in mm)	PRESSURE (BAR)	RADIUS (m)	FLOW (m ³ /h)	LANE SPACING (m)	APPLICATION PER RUN (mm)
16.00	2	24	14.8	36	14.0
	3	30	18.2	40	15.5
	4	34	21.0	45	16.0
	5	36	23.4	50	16.0
18.00	2	24	18.5	36	17.0
	3	32	22.7	45	17.0
	4	35	26.2	45	20.0
	5	38	29.2	50	20.0
20.00	2	25	22.5	36	21.0
	3	33	27.6	45	21.0
	4	37	31.9	45	23.0
	5	41	35.6	50	24.0

ROTRIX
RHINO


- Maximum capacity 35m³/h
- 300m x 5mm diameter galvanised cable
- 150m x 63mm Oroflex lay flat hose
- 2 x SIME Jolly sprinklers
- 4 to 1 ratio "manual and PTO hose winder"
- 36m wetted diameter
- 300m travel distance
- Standard 4 wheels and adjustable chassis
- 70mm PERROT Male connection

CODE	PRICE
R - RHINO	On Request
For Sprinkler Specifications see Page 130	

RAINMAKER


- Maximum capacity 35m³/h
- 200m x 5mm diameter galvanised cable
- 100m x 63mm Oroflex lay flat hose
- 2 x SIME Jolly sprinklers
- 4 to 1 ratio "manual hose winder"
- 36m wetted diameter
- 200m travel distance
- 70mm PERROT Male connection

CODE	PRICE
R - RAINMAKER	On Request
For Sprinkler Specifications see Page 130	

GREENKEEPER


- Maximum capacity 16m³/h
- 200m x 4mm diameter galvanised cable
- 100m x 50mm Oroflex lay flat hose
- 1 x SIME Jolly sprinkler
- 4 to 1 ratio "manual hose winder"
- 36m wetted diameter
- 200m travel distance
- 50mm PERROT Male connection

CODE	PRICE
R - GREENKEEPER	On Request
For Sprinkler Specifications see Page 130	

CLUBMAN


- Maximum capacity 16m³/h
- 100m x 4mm diameter galvanised cable
- 50m x 50mm Oroflex lay flat hose
- 1 x SIME Jolly sprinkler
- 36m wetted diameter
- 100m travel distance
- 50mm PERROT Male connection

CODE	PRICE
R - CLUBMAN	On Request
For Sprinkler Specifications see Page 130	

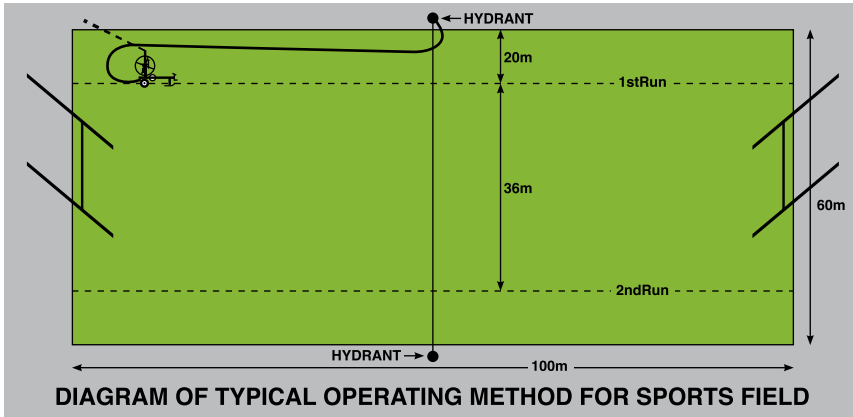
SPORTSMAN


- Maximum capacity 6m³/h
- 120m x 3mm diameter galvanised cable
- 60m x 25mm Oroflex lay flat hose
- 1 x SIME Ibis sprinkler
- 26m wetted diameter
- 120m travel distance
- 25mm GEKA connection

CODE	PRICE
R - SPORTSMAN	On Request
For Sprinkler Specifications see Page 128	



ROTRIX



ADVANTAGES

- Labour saving system
- Low installation costs
- Irrigates large areas without supervision
- Water application can be well managed
- Irrigation done by one or two operators
- Can be used with existing pumps and mainlines
- Quick set - up times and easy to move between fields
- Can be safely stored away for security against theft
- Replaces quick coupling and drag line systems
- No hassles with blocked or damaged pop-up systems

SPORTSMAN (Average Run 5hr/120m)

NOZZLE SIZE (in mm)	PRESSURE (BAR)	RADIUS (m)	FLOW (m ³ /h)	LANE SPACING (m)	APPLICATION PER RUN (mm)
6.00	2	15	2.8	22	4.5
	3	17	3.4	24	5.0
	4	18	3.9	24	6.0
8.00	2	17	4.3	24	6.5
	3	18	5.2	24	7.5
	4	19	6.0	26	8.0

CLUBMAN / GREENKEEPER (Average Run 4hr/100m or 8hr/200m)

NOZZLE SIZE (in mm)	PRESSURE (BAR)	RADIUS (m)	FLOW (m ³ /h)	LANE SPACING (m)	APPLICATION PER RUN (mm)
10.00	2	19	6.4	26	8.0
	3	21	7.8	30	8.5
	4	22.5	9.0	36	8.5
	5	23.5	10.2	36	9.5
12.00	2	21	8.9	30	10.0
	3	23.5	10.9	36	10.0
	4	26	12.6	36	11.5
	5	28	14.2	30	16.0
14.00	2	22.5	11.8	36	11.0
	3	24	14.4	36	13.5
	4	27	16.7	36	15.5
	5	29	18.6	40	16.0

RAINMAKER

	NOZZLE SIZE	PRESSURE kPa	No. of NOZZLES	FLOW m ³ /h	LANE SPACING	AVERAGE APPLICATION mm		PRESSURE AT HYDRANT kPa	WETTED Dia m
						6 h RUN	12 h RUN		
IDEAL FOR GERMINATION OF SEED BEDS COMBINED WITH FASTER SPROCKET SET	9mm	300	2	10,6	36m	8,2	16,4	330	44
	10mm	300	2	13,2	36m	11,0	22,0	330	45
	11mm	300	2	16	36m	13,2	26,4	340	46
	12mm	300	2	20,4	36m	15,5	31,0	350	47
SMALL DROPLET POPULATION WITH GOOD RAIN CURTAIN	13mm	300	2	22,5	36m	18,1	36,2	360	49
	14mm	300	2	25,2	36m	21,3	42,6	360	50
	15mm	300	2	31,0	36m	24,1	48,2	380	51
	16mm	300	2	33,0	36m	25,8	51,6	430	51

WATER APPLICATION FORMULA

$$\text{Flow in m}^3/\text{h} = \frac{\text{mm} \times 10 \times \text{area (L} \times \text{W) m}}{10\,000 \times 0.85 \text{ (efficiency) } \times t}$$

- m³/h = Volume of Water supplied to Nozzles per Hour
- t = Available time in hours per day and days per month to meet peak monthly irrigation requirement.
- mm = Gross depth of water applied per peak month.
- Area = Total area irrigated.
- L = Length of land (m)
- W = Width of land (m)

Note: Days per month is usually 25 to allow for downtime, etc.

The side panels are galvanised and powder coated with blue and white paint

The drum is supported by a big waterproof bearing increasing the drum life



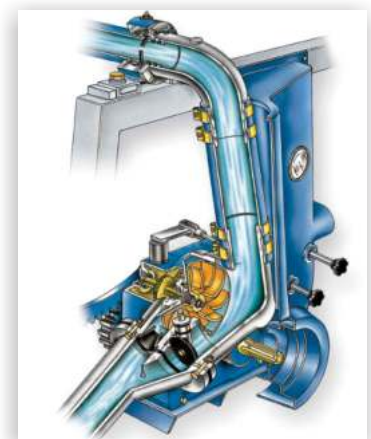
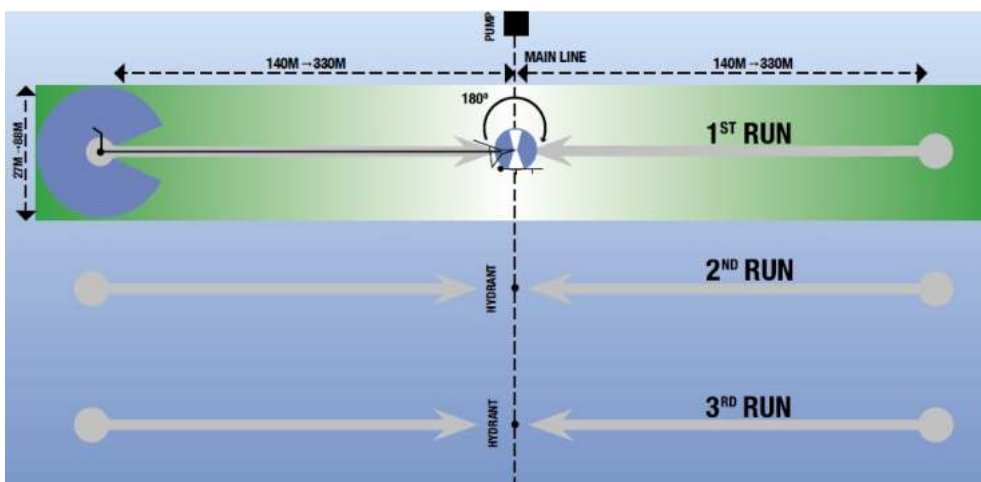
Sprinkler trolley has four wheels on R2/2 and R2/1 models and comes with adjustable track on all machines

The drum and chassis are made of steel, hot-dip galvanised and entirely welded by robots

All machines are equipped with proper agricultural wheels

Model	Pipe Diameter	Pipe Length	Application	Irrigated HA/Week
R2/2	100mm	300m	Agriculture	± 30
R1/1	75mm	220m	Agriculture	± 20
MRR	58mm	200m	Agriculture	± 12
MR	40mm	130m	Sportsfields	± 3

For specifications on the above machines see pages 170 - 173



The choke flow turbine with the impeller mounted directly onto the inlet shaft of the gearbox reduces head losses and allows the machines to give wider speed range even when the flow and the inlet pressure of the machine is low.

A	B	C	D	E	F	G		GB	
						mm	bar		
Nozzle	Pressure at the Rain-gun	Rain-Gun Throw	Recommended area to be irrigate 80%	Delivery	Irrigated Area	Working Speed	Rain rate in (mm)	Pressure inlet Machine	Recommended Speed on the gearbox



Standard nozzle size:
12, 14 and 16mm
Price on request due to
exchange rate

G																			
mm DI PIOGGIA SULLA FASCIA IRRIGATA E PRESSIONE NECESSARIA ALLA MACCHINA																			
BOCC IRR.	GIT. IRR.	FASCIA Q = PORTATA	AREA POST.	mm															
				10	15	20	25	30	35	40	50	60							
mm	bar	mt	CON.S. Lt/Min	M3/h	Ha	mt	bar	mm	mt	bar	mm	mt	bar	mm	mt	bar	mm	mt	bar
12	2,0	20	32	152	9.120	9.12	0.67	29	3.5	19	3.4	14	3.3	11	3.3	10	3.3	8	3.2
	3,0	24	38	182	10.920	10.92	0.82	28	4.7	19	4.6	14	4.5	11	4.5	9	4.5	8	4.4
	4,0	27	43	211	12.660	12.66	0.94	29	6.0	20	5.9	15	5.8	12	5.8	10	5.8	8	5.7
14	2,0	21	34	195	11.700	11.70	0.71	35	3.9	23	3.8	17	3.7	14	3.7	12	3.7	10	3.6
	3,0	25	40	239	14.340	14.34	0.86	36	5.4	24	5.3	18	5.2	14	5.2	12	5.2	10	5.1
	4,0	29	46	277	16.620	16.62	1.02	36	6.9	24	6.8	18	6.7	14	6.7	12	6.7	10	6.6
	5,0	31	50	309	18.540	18.54	1.10	37	8.3	25	8.2	19	8.1	15	8.1	12	8.1	11	8.0
16	2,0	22	35	247	14.820	14.82	0.75	42	4.5	28	4.4	21	4.3	17	4.3	14	4.3	12	4.2
	3,0	26	42	303	18.180	18.18	0.90	44	6.2	29	6.1	22	6.0	17	6.0	15	6.0	12	5.9
	4,0	30	48	351	21.060	21.06	1.06	44	8.0	29	7.9	22	7.8	18	7.8	15	7.8	13	7.7

This data given is as an indication only. It is calculated on the basis of mathematical formulas and average working conditions of machines.
We decline any responsibilities connected with the use of this information. Updated on 12/2004.

- 58mm (OD) Hose X 200m Long





A	B	C	D	E	F	G						GB					
						mm		mm		mm			mm		mm		
Nozzle	Pressure at the Rain-gun	Rain-Gun Throw	Recommended area to be irrigate 80%	Delivery	Irrigated Area	Working Speed		Rain rate in (mm)		Pressure inlet Machine		Recommended Speed on the gearbox					
						mt	mm	mm	mm	bar	bar		mm	mm			
mm DI PIOGGIA SULLA FASCIA IRRIGATA E PRESSIONE NECESSARIA ALLA MACCHINA																	
BOCC		GIT. FASCIA Q = PORTATA		AREA		mm						mm					
IRR.	IRR.	IRR.	CON.S.	L/Min	L/Min	M3/h	POST.	10	15	20	25	30	35	40	50	60	
mm	bar	mt	mtx80%				Ha	mm	mm	mm	mm	mm	mm	mm	mm	mm	
16	3.0	32	51	276	16,560	16,56	1,24	32	4,6	22	4,4	4,3	9	4,3	8	4,3	
	4.0	36	58	320	19,200	19,20	1,42	33	5,8	22	5,6	5,5	10	5,5	8	5,5	
	4.5	37	59	338	20,280	20,28	1,46	34	6,4	23	6,2	6,1	10	6,1	9	6,1	
	5.0	39	62	356	21,360	21,36	1,55	34	7,0	23	6,8	6,7	10	6,7	9	6,7	
	5.5	41	66	373	22,380	22,38	1,65	34	7,6	23	7,4	7,3	10	7,3	9	7,3	
	marce consigliate																
18	3.0	33	53	350	21,000	21,00	1,28	40	5,0	27	4,8	4,7	11	4,7	10	4,7	
	4.0	37	59	404	24,240	24,24	1,46	41	6,3	27	6,0	6,0	12	6,0	10	6,0	
	4.5	39	62	429	25,740	25,74	1,55	41	6,9	28	6,7	6,6	12	6,6	10	6,6	
	5.0	41	66	452	27,120	27,12	1,65	41	7,6	28	7,4	7,3	12	7,3	10	7,3	
	5.5	42	67	474	28,440	28,44	1,69	42	8,3	28	8,1	8,0	12	8,0	11	8,0	
	marce consigliate																
20	3.0	35	56	432	25,920	25,92	1,37	46	5,5	31	5,3	5,2	13	5,2	12	5,2	
	4.0	39	62	501	30,060	30,06	1,55	48	7,0	32	6,8	6,7	14	6,7	12	6,7	
	4.5	41	66	531	31,860	31,86	1,65	49	7,7	32	7,5	7,4	14	7,4	12	7,4	
	5.0	43	69	560	33,600	33,60	1,74	49	8,4	33	8,2	8,1	14	8,1	12	8,1	
	5.5	44	70	586	35,160	35,16	1,79	50	9,1	33	8,9	8,8	14	8,8	12	8,8	
	marce consigliate																
22	2.0	32	51	430	25,800	25,80	1,24	50	4,5	34	4,4	4,2	14	4,2	13	4,2	
	3.0	37	59	522	31,320	31,32	1,46	53	6,1	35	5,9	5,8	15	5,8	13	5,8	
	4.0	41	66	604	36,240	36,24	1,65	55	7,8	37	7,7	7,5	16	7,5	14	7,5	
	4.5	42	67	641	38,460	38,46	1,69	57	8,6	38	8,5	8,3	16	8,3	14	8,3	
	5.0	45	72	676	40,560	40,56	1,84	56	9,5	38	9,4	9,2	16	9,2	14	9,2	
	5.5	46	74	708	42,480	42,48	1,88	58	10,3	38	10,2	10,0	16	10,0	14	10,0	
	marce consigliate																

This data given is as an indication only. It is calculated on the basis of mathematical formulas and average working conditions of machines. We decline any responsibilities connected with the use of this information. Updated on 12/2004.

- 75mm (OD) Hose X 220m Long



VALVES & BRASS FITTINGS

GATE VALVES, NYLON & BRASS BALL VALVES	Pg. 176 - 177
NON RETURN, SCREENS & TAPS	Pg. 178 - 179
GEKA COUPLINGS & OTHER	Pg. 180 - 182
BRASS COMPRESSION & COPPER CAPILLARY.....	Pg. 183 - 185

VENICE

BRASS NICKLE PLATED BALL VALVE



**Temperature Rating : 0°C - 80°C
Suitable for Water & Oil
Max working pressure 20 Bar (290 psi)**

CODE	SIZE	BOX QTY	PRICE
BEBV015	15mm	108	R93.40
BEBV020	20mm	90	R127.46
BEBV025	25mm	50	R215.18
BEBV032	32mm	32	R310.42
BEBV040	40mm	24	R514.89
BEBV050	50mm	16	R725.32

NYLON BALL VALVE (LEVER HANDLE)



**Temperature Rating : 0°C - 80°C
Suitable for Water & Oil
Max working pressure 16 Bar (230 psi)**

CODE	SIZE	BOX QTY	PRICE
BNBV015LH	15mm	120	R63.00
BNBV020LH	20mm	90	R89.34
BNBV025LH	25mm	72	R142.29
BNBV032LH	32mm	36	R303.72
BNBV040LH	40mm	24	R385.57
BNBV050LH	50mm	30	R532.39

BRASS NICKLE PLATED BALL VALVE FULL BORE



**Temperature Rating : 0°C - 120°C
Suitable for Water, Oil & Gas
Max working pressure 25 Bar (360 psi)**

CODE	SIZE	BOX QTY	PRICE
BBV008FB	8mm	120	R76.98
BBV010FB	10mm	120	R83.38
BBV015FB	15mm	90	R109.22
BBV020FB	20mm	72	R149.35
BBV025FB	25mm	50	R236.44
BBV032FB	32mm	24	R354.83
BBV040FB	40mm	16	R540.11
BBV050FB	50mm	12	R839.77
BBV065FB	65mm	4	R1 721.14
BBV080FB	80mm	4	R2 811.51
BBV100FB	100mm	2	R4 239.28

IRON BALL VALVE



NEW

**Temperature Rating : 0°C - 80°C
Suitable for Water, Oil & Gas
Max working pressure 16 Bar (230 psi)**

CODE	SIZE	BOX QTY	PRICE
BIBV015	15mm	120	R88.18
BIBV020	20mm	90	R119.21
BIBV025	25mm	60	R175.30
BIBV032	32mm	32	R281.51
BIBV040	40mm	24	R483.52
BIBV050	50mm	16	R598.55



VENICE

STAINLESS STEEL TWO PIECE BALL VALVE



**Temperature Rating : 0°C - 180°C
Suitable for Water, Oil & Gas
Max working pressure 25 Bar (360 psi)**

CODE	SIZE	BOX QTY	PRICE
SSBV008	8mm	375	R163.24
SSBV010	10mm	300	R163.34
SSBV015	15mm	78	R150.90
SSBV020	20mm	78	R202.76
SSBV025	25mm	66	R277.36
SSBV032	32mm	38	R454.41
SSBV040	40mm	20	R604.63
SSBV050	50mm	14	R888.34

BRASS MALE FEMALE BALL VALVE (M/F)



**Temperature Rating : 0°C - 120°C
Suitable for Water, Oil & Gas
Max working pressure 25 Bar (360 psi)**

CODE	SIZE	BOX QTY	PRICE
BBVMF015	15mm	90	R130.70
BBVMF020	20mm	60	R188.73
BBVMF025	25mm	40	R273.65
BBVMF040	40mm	32	R565.10
BBVMF050	50mm	20	R830.89

BRASS GATE VALVE FULL BORE



**Temperature Rating : -20°C - 100°C
Suitable for Water, Oil & Gas
Max working pressure 12.5 Bar (180 psi)**

CODE	SIZE	BOX QTY	PRICE
BGV015FB	15mm	120	R142.46
BGV020FB	20mm	100	R159.43
BGV025FB	25mm	60	R234.40
BGV032FB	32mm	30	R363.54
BGV040FB	40mm	30	R477.68
BGV050FB	50mm	20	R757.68
BGV065FB	65mm	12	R1 208.66
BGV080FB	80mm	8	R1 651.10
BGV100FB	100mm	4	R3 110.98

BRASS ECONO GATE VALVE

NEW



**Temperature Rating : 0°C - 80°C
Suitable for Water & Oil
Max working pressure 10 Bar (145 psi)**

CODE	SIZE	BOX QTY	PRICE
BECONGV015	15mm	140	R112.77
BECONGV020	20mm	120	R131.55
BECONGV025	25mm	70	R181.81
BECONGV032	32mm	48	R266.95
BECONGV040	40mm	30	R340.99
BECONGV050	50mm	20	R532.91

VENICE

BRASS SPRING LOADED CHECK VALVE

(Inline Non-Return)



**Temperature Rating : 0°C - 120°C
Suitable for Water & Oil
Max working pressure 16 Bar (230 psi)**

CODE	SIZE	BOX QTY	PRICE
BSLCV015	15mm	180	R97.80
BSLCV020	20mm	96	R161.19
BSLCV025	25mm	70	R280.54
BSLCV032	32mm	32	R403.28
BSLCV040	40mm	24	R577.48
BSLCV050	50mm	16	R913.00
BSLCV065	65mm	12	R1 370.31
BSLCV080	80mm	12	R1 821.16
BSLCV100	100mm	4	R2 793.55

BRASS SWING CHECK VALVE

(Inline Non-Return)



**Temperature Rating : 0°C - 120°C
Suitable for Water & Oil
Max working pressure 12.5 Bar (180 psi)**

CODE	SIZE	BOX QTY	PRICE
BSCV015	15mm	108	R109.61
BSCV020	20mm	72	R155.78
BSCV025	25mm	60	R259.89
BSCV032	32mm	40	R390.43
BSCV040	40mm	20	R538.57
BSCV050	50mm	20	R846.16
BSCV065	65mm	12	R1 534.36
BSCV080	80mm	8	R2 275.36
BSCV100	100mm	4	R3 550.13

STAINLESS STEEL SCREEN



**15mm - 40mm
(30 Micron)**

**50mm - 100mm
(20 Micron)**

CODE	SIZE	BOX QTY	PRICE
BS015	15mm	400	R14.86
BS020	20mm	200	R15.19
BS025	25mm	120	R16.29
BS032	32mm	66	R21.12
BS040	40mm	40	R28.40
BS050	50mm	24	R32.68
BS065	65mm	16	R69.62
BS080	80mm	8	R109.00
BS100	100mm	6	R178.68

BRASS Y STRAINER - S/S SCREEN



**Temperature Rating : -20°C - 120°C
Suitable for Water, Oil & Gas
Max working pressure 16 Bar (230 psi)
600 Micron Screen**

CODE	SIZE	BOX QTY	PRICE
BYS015	15mm	108	R96.45
BYS020	20mm	75	R140.00
BYS025	25mm	36	R242.78
BYS040	40mm	18	R449.94
BYS050	50mm	10	R787.80

VENICE

BRASS LOCKABLE TANK TAP



**Temperature Rating : -20°C - 110°C
Suitable for Water & Oil
Max working pressure 12.5 Bar (180 psi)**

CODE	SIZE	BOX QTY	PRICE
BLTT015	15mm	100	R174.70
BLTT020	20mm	100	R177.00

BRASS NICKLE PLATED LOCKABLE BIBTAP



**Temperature Rating : -20°C - 120°C
Suitable for Water & Oil
Max working pressure 12 Bar (174 psi)**

CODE	SIZE	BOX QTY	PRICE
BBTL015	15mm	100	R150.94
BBTL020	20mm	80	R172.72



BRASS NICKLE PLATED BIBCOCK



**Temperature Rating : 0°C - 80°C
Suitable for Water & Oil
Max working pressure 12 Bar (174 psi)**

CODE	SIZE	BOX QTY	PRICE
BBC015	15mm	60	R114.28
BBC020	20mm	80	R165.00

BRASS BIBTAP



**Temperature Rating : 0°C - 120°C
Suitable for Water
Max working pressure 12 Bar (174 psi)**

CODE	SIZE	BOX QTY	PRICE
BBT015	15mm	120	R128.83
BBT015020	15 x 20mm	60	R161.74
BBT020	20mm	80	R190.27

BRASS BIBTAP HOSETAIL ADAPTOR



CODE	SIZE	BOX QTY	PRICE
BBTHT015	15mm	120	R20.49
BBTHT020	20mm	60	R29.47

VENICE

BRASS GEKA TYPE FITTINGS – FEMALE



CODE	SIZE	BOX QTY	PRICE
BGF015F	15mm	100	R71.68
BGF020F	20mm	100	R74.62
BGF025F	25mm	100	R76.00

BRASS GEKA TYPE FITTINGS – MALE



CODE	SIZE	BOX QTY	PRICE
BGF015M	15mm	100	R68.74
BGF020M	20mm	100	R70.97
BGF025M	25mm	100	R74.62

BRASS GEKA TYPE FITTINGS – BLANK



CODE	SIZE	BOX QTY	PRICE
BGFB	BLANK	100	R65.89

BRASS GEKA TYPE FITTINGS – HOSE TAIL



CODE	SIZE	BOX QTY	PRICE
BGF013HT	13mm	100	R70.25
BGF016HT	16mm	100	R74.62
BGF019HT	19mm	100	R78.27
BGF025HT	25mm	80	R85.00

BRASS GEKA TYPE FITTINGS – RUBBER



CODE	SIZE	BOX QTY	PRICE
BGFR	RUBBER	1000	R4.48



**PROVEN DURABILITY
PERFECT SEAL
PEACE OF MIND**



**VALVES &
BRASS FITTINGS**

VENICE

PRESSURE GAUGE 63MM DIAL 1/4" BSP



**Working Temperature
-20°C - 70°C**

CODE	BAR	BOX QTY	PRICE
PG250	2,5	50	R229.63
PG400	4	50	R229.63
PG600	6	50	R229.63
PG800	8	50	R229.63
PG1000	10	50	R229.63
PG1600	16	50	R229.63
PG2500	25	50	R229.63

PRESSURE GAUGE 100MM DIAL 3/8" BSP



**Working Temperature
-20°C - 70°C**

CODE	BAR	BOX QTY	PRICE
PG100-250	2,5	50	R469.14
PG100-400	4	50	R469.14
PG100-600	6	50	R469.14
PG100-800	8	50	R469.14
PG100-1000	10	50	R469.14

GRAPHITE GLAND PACKING



CODE	SIZE	BOX QTY	PRICE
GGP006	6mm x 1m	20	R36.94
GGP008	8mm x 1m	20	R44.66
GGP010	10mm x 1m	20	R63.41
GGP012	12mm x 1m	20	R96.84
GGP016	16mm x 1m	20	R142.24
GGP020	20mm x 1m	20	R254.54



PITOUT TUBE

CODE	PRICE
VYR18	R194.64

PTFE TAPE - 0.075 mm x 10m (0.25g/cm3)



**Only Pack QTY's
will be invoiced**

CODE	SIZE	BOX QTY	PACK QTY	PRICE
BPTFE012	12mm x 10m	1000	10	R3.82
BPTFE019	19mm x 10m	1000	10	R4.94
BPTFE025	25mm x 10m	1000	10	R6.00

PTFE TAPE - 0.1mm x 12m (0.6g/cm3)



**Only Pack QTY's
will be invoiced**

CODE	SIZE	BOX QTY	PACK QTY	PRICE
BPTFE012/0.100	12mm x 12m	1000	10	R8.57
BPTFE019/0.100	19mm x 12m	1000	10	R11.53

PTFE TAPE - 0.1mm x 30m (0.6g/cm3)



**Only Pack QTY's
will be invoiced**

CODE	SIZE	BOX QTY	PACK QTY	PRICE
BPTFE019/30M	19mm x 30m	400	5	R31.50

VENICE

BRASS STOP COCK



Temperature Rating : 0°C - 70°C
Suitable for Water, Oil & Gas
Max working pressure 12.5 Bar (180 psi)

CODE	SIZE	BOX QTY	PRICE
BBSC015	15mm	120	R134.00
BBSC020	20mm	60	R154.43

BRASS FLOAT VALVE



Temperature Rating : 0°C - 60°C
Suitable for Water
Max working pressure 6 Bar (87 psi)

CODE	SIZE	BOX QTY	PRICE
BBFV015	15mm	100	R182.28
BBFV020	20mm	80	R224.82
BBFV025	25mm	48	R404.00
BBFV040	40mm	12	R906.61
BBFV050	50mm	12	R946.30

BRASS FLOAT VALVE PLASTIC BALL

- 110mm fits 15mm Valve
- 125mm fits 20mm Valve
- 150mm fits 25mm Valve
- 200mm fits 40mm Valve
- 250mm fits 50mm Valve



CODE	SIZE	BOX QTY	PRICE
BFVB110	110mm	100	R31.64
BFVB125	125mm	100	R34.96
BFVB150	150mm	50	R66.65
BFVB200	200mm	20	R167.20
BFVB250	250mm	10	R301.17

BRASS HEAVY DUTY FOOT VALVE



Temperature Rating : -20°C - 120°C
Suitable for Water & Oil
Max working pressure 12.5 Bar (180 psi)

CODE	SIZE	BOX QTY	PRICE
BFV040	40mm	20	R418.36
BFV050	50mm	18	R471.94
BFV065	65mm	6	R909.74
BFV080	80mm	6	R1 369.41
BFV100	100mm	4	R2 122.96

BRASS FLOAT VALVE ARM ONLY



CODE	SIZE	NUT SIZE	BOX QTY	PRICE
BBFVA015	15mm	M8	100	R62.00
BBFVA020	20mm	M8	100	R63.63
BBFVA025	25mm	M10	100	R136.33
BBFVA040	40mm	M12	25	R428.03
BBFVA050	50mm	M12	25	R435.00

PRESSURE REDUCING VALVE WITH GAUGE



Temperature Rating : 0°C - 120°C
Suitable for Water, Oil & Gas
Max working pressure 16 Bar (232 psi)

CODE	SIZE	BOX QTY	PRICE
BPRV015	15mm	32	R683.22
BPRV020	20mm	32	R720.27
BPRV025	25mm	32	R878.87
BPRV032	32mm	20	R1 101.94
BPRV040	40mm	12	R2 005.75
BPRV050	50mm	12	R2 100.00

**PROVEN DURABILITY
PERFECT SEAL
PEACE OF MIND**



**BRASS COMPRESSION
FITTINGS**

VENICE

STOP COCK CxC



**Temperature Rating : 0°C - 90°C
Suitable for Water, Oil & Gas
Max working pressure 12.5 Bar (180 psi)**

CODE	SIZE	BOX QTY	PRICE
BCSC015	15mm	100	R132.51
BCSC022	22mm	60	R194.09

ELBOW CxC



**Temperature Rating : 30°C
Max working pressure 16 Bar**

CODE	SIZE	BOX QTY	PRICE
BCE015	15mm	200	R39.66
BCE022	22mm	90	R80.91

COUPLER CxC



**Temperature Rating : 30°C
Max working pressure 16 Bar**

CODE	SIZE	BOX QTY	PRICE
BCC015	15mm	240	R40.18
BCC022	22mm	140	R72.50

ELBOW CxMI



**Temperature Rating : 30°C
Max working pressure 16 Bar**

CODE	SIZE	BOX QTY	PRICE
BCMCE015015	15mm x 15mm	200	R39.66
BCMCE022020	22mm x 20mm	110	R68.66

ADAPTOR CxMI



**Temperature Rating : 30°C
Max working pressure 16 Bar**

CODE	SIZE	BOX QTY	PRICE
BCMA015015	15mm x 15mm	300	R28.95
BCMA022020	22mm x 20mm	140	R51.66

ELBOW CxFI



**Temperature Rating : 30°C
Max working pressure 16 Bar**

CODE	SIZE	BOX QTY	PRICE
BCFCE015015	15mm x 15mm	170	R35.00
BCFCE022020	22mm x 20mm	100	R68.82

ADAPTOR CxFI



**Temperature Rating : 30°C
Max working pressure 16 Bar**

CODE	SIZE	BOX QTY	PRICE
BCFA015015	15mm x 15mm	220	R30.68
BCFA022020	22mm x 20mm	140	R54.60



VENICE

TEE CxCxC



**Temperature Rating : 30°C
Max working pressure 16 Bar**

CODE	SIZE	BOX QTY	PRICE
BCET015	15mm	120	R59.54
BCET022	22mm	60	R112.44

REDUCER



**Temperature Rating : 30°C
Max working pressure 16 Bar**

CODE	SIZE	BOX QTY	PRICE
BCR022015	22mm x 15mm	150	R61.96

TEE REDUCING CxCxC



**Temperature Rating : 30°C
Max working pressure 16 Bar**

CODE	SIZE	BOX QTY	PRICE
BCRT022015	22mm x 15mm	60	R98.82

TEE FEMALE CxFI



**Temperature Rating : 30°C
Max working pressure 16 Bar**

CODE	SIZE	BOX QTY	PRICE
BCFCT015015	15mm x 15mm	120	R66.82
BCFCT022020	22mm x 20mm	60	R110.76

WALL PLATE CxFI



**Temperature Rating : 30°C
Max working pressure 16 Bar**

CODE	SIZE	BOX QTY	PRICE
BCWP015015	15mm x 15mm	100	R55.59
BCWP022020	22mm x 20mm	50	R107.27

STOP END



**Temperature Rating : 30°C
Max working pressure 16 Bar**

CODE	SIZE	BOX QTY	PRICE
BCSE015	15mm	400	R22.19
BCSE022	22mm	230	R41.00

SPARE OLIVE (FERRULES)



CODE	SIZE	BOX QTY	PRICE
BCSO015	15mm	2500	R2.47
BCSO022	22mm	1500	R4.26

SPARE NUT



CODE	SIZE	BOX QTY	PRICE
BSCN015	15mm	700	R9.69
BSCN022	22mm	500	R16.81

COPPER CAPILLARY FITTINGS

COPPER CAPILLARY 90° ELBOW



**Temperature Rating : 150°C
Max working pressure 20 Bar**

CODE	SIZE	BOX QTY	PRICE
BCCE015	15mm	100	R6.62
BCCE022	22mm	100	R18.57

COPPER CAPILLARY 45° ELBOW



**Temperature Rating : 150°C
Max working pressure 20 Bar**

CODE	SIZE	BOX QTY	PRICE
BCCE015045	15mm	100	R8.21
BCCE022045	22mm	100	R18.51

COPPER CAPILLARY 90° REDUCING ELBOW



**Temperature Rating : 150°C
Max working pressure 20 Bar**

CODE	SIZE	BOX QTY	PRICE
BCCRE022015	22 x 15mm	100	R26.53

COPPER CAPILLARY END CAP



**Temperature Rating : 150°C
Max working pressure 20 Bar**

CODE	SIZE	BOX QTY	PRICE
BCCEC015	15mm	100	R6.32
BCCEC022	22mm	100	R15.52

COPPER CAPILLARY EQUAL TEE



**Temperature Rating : 150°C
Max working pressure 20 Bar**

CODE	SIZE	BOX QTY	PRICE
BCCT015	15mm	100	R13.10
BCCT022	22mm	100	R34.60

COPPER CAPILLARY REDUCING TEE



**Temperature Rating : 150°C
Max working pressure 20 Bar**

CODE	SIZE	BOX QTY	PRICE
BCCRT015022	15 x 22mm	100	R38.67
BCCRT022015	22 x 15mm	100	R31.56

COPPER CAPILLARY COUPLING



**Temperature Rating : 150°C
Max working pressure 20 Bar**

CODE	SIZE	BOX QTY	PRICE
BCCC015	15mm	100	R5.00
BCCC022	22mm	100	R12.47

COPPER CAPILLARY CROSS OVER



**Temperature Rating : 150°C
Max working pressure 20 Bar**

CODE	SIZE	BOX QTY	PRICE
BCCCO015	15mm	100	R37.96
BCCCO022	22mm	100	R87.77

COPPER CAPILLARY REDUCER



**Temperature Rating : 150°C
Max working pressure 20 Bar**

CODE	SIZE	BOX QTY	PRICE
BCCR022015	22 x 15mm	100	R13.95





VYRSA

VYRSA INFO	Pg. 188
AIR VALVES & REGULATORS.....	Pg. 189
VYRSA SPRINKLERS	Pg. 190 - 221
VYRSA ROTEC	Pg. 222 - 223
IR-JUNIOR	Pg. 224



SPRINKLER COMPARISON TABLE

VYRSA	RAIN BIRD	NAAN	NELSON	FARM	RAIN	AQUA
35	30H		F33	RC130	15	AQ-20
36	46	5035	F44	RC160	14	AQ-46
70	14070H		F43	RC140		AQ-25
46	20LA/14V	223/5024				
6001	35H		P30	RC135		AQ-20PC
6610				RC235		AQ-46PC
8004/5004	25H	423	P20		22	AQ-05PC
8020		427S		RC225	13	AQ-22PC
155	80H	255	F80			
56				RC260		
26		5022FC			11	AQ-22
86	70	344	F70P			AQ-30P

NOZZLE SIZES – CONVERSION TABLE (ONLY APPLICABLE TO 20mm SPRINKLERS)

INCH	MM	NYLON COLOUR	INCH	MM	NYLON COLOUR	INCH	MM	NYLON COLOUR
1/16	1.6	N/A	3/16	4.8	RED	3/8	9.6	N/A
5/54	2.0	N/A	13/64	5.2	WHITE	7/16	11.0	N/A
3/32	2.4	PINK	7/32	5.6	BLUE	15/32	12.0	N/A
7/64	2.8	N/A	15/64	6.0	N/A	<p>NOTE: Every 1/64 inch = 0,4mm (by nearest 0,01)</p>		
1/8R	3.2	PURPLE	1/4	6.4	N/A			
1/8SP	3.2	YELLOW SMALL	9/32	7.0	N/A			
9/64	3.6	GREY	19/64	7.6	N/A			
5/32	4.0	TURQUOISE	5/16	8.0	N/A			
11/64	4.4	YELLOW						

**INCREASED ENERGY EFFICIENCY
HIGH COEFFICIENTS UNIFORMITY
WATER SAVING**



**VYRSA AIR VALVES &
PRESSURE REGULATORS**

AIR VALVES



CODE	SIZE	PRICE
VYR39-S	25	R357.00
VYR39-A	50	R838.97

• Double or triple action kinetic air valves to extract and impel air from and into irrigation systems. • Made of nylon 6.6 and reinforced with 30% fibreglass. Rubber closure gasket and polystyrene float. • Operating range of 0.2 to 15 bar. • Continuous operation. • Automatic effect. • It extracts the air from the installation while the pipelines are filling. When the water reaches the inside of the valve, the float rises and closes the discharge outlet. • It provides automatic control, eliminating any residual air pockets from reaching the valve. This causes the float to drop, partially or totally opening the discharge outlet. The system pressure does not prevent this function from being carried out. (ONLY IN TRIPLE FUNCTION VALVES)

AIR VALVES SPARES

CODE	SIZE	PRICE
VYR39-Rubber	ALL	R27.85
VYR39A-OR	50	R11.41
VYR39A-Gasket	50	R11.41
VYR39S-OR	25	R5.70

PRESSURE REGULATORS MEDIUM FLOW



Thread 3/4" F x 3/4" F (BSP)

CODE	SIZE (BAR)	PRICE
VYR19-6PSI	0.41 BAR	R175.51
VYR19-10PSI	0.70 BAR	R175.51
VYR19-15PSI	1.00 BAR	R268.47
VYR19-20PSI	1.38 BAR	R175.51
VYR19-25PSI	1.73 BAR	R175.51
VYR19-30PSI	2.07 BAR	R175.51
VYR19-40PSI	2.76 BAR	R175.51
VYR19-50PSI	3.45 BAR	R175.51



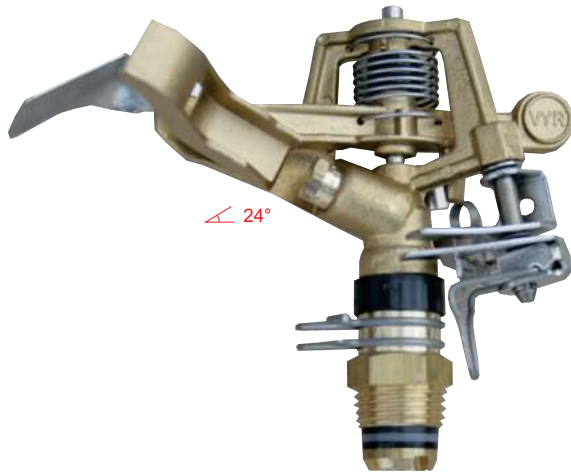
**Thread 3/4"x 3/4"F (BSP)
(Available in 15 PSI ONLY)**



VYRSA 8004

1/2" (15mm)

PART CIRCLE



"Standard nozzle is 4mm"
(Other nozzle size is not always stock item)

DIMENSIONS

Height : 14 cm.
 Width : 12 cm.
 Weight : 266 g.
 Units per box : 75

GENERAL PROPERTIES

- Riser-mounted impact sprinkler for gardening, agriculture, flower growing and greenhouses.
- 1/2" male connection.
- Made of brass and stainless steel.
- High-resistance rotating joints.
- Arm with anti-splash design.
- Adjustable deflector plate.
- Irrigation area system controlled by rotating clips.
- Adjustable jet breaker diffuser pin.

TECHNICAL SPECIFICATIONS

- Range distance: **9 - 14 m** .
- Flow: 460 - 1180 L/H.
- Working pressure: 1,5 - 4 BAR.
- Area: **Full or part circle**.
- Nozzles: A multi-jet nozzle.
- Trajectory angles: **24°**
- Maximum stream height: 2.6 m .
- Rotation time: Adjustable. Depending on the pressure and the nozzles, the rotation will be constant and continuous.

OPTION	CODE	PRICE
With one brass nozzle	VYR8004	R383.58
Loose nozzles (Brass)	NZ Size? MM-80	R20.47

This sprinkler is strong and durable enough to work for many years in urban gardens in tough conditions.

**MANUFACTURED IN SPAIN
INCREASED ENERGY EFFICIENCY
HIGH COEFFICIENTS UNIFORMITY
WATER SAVING**

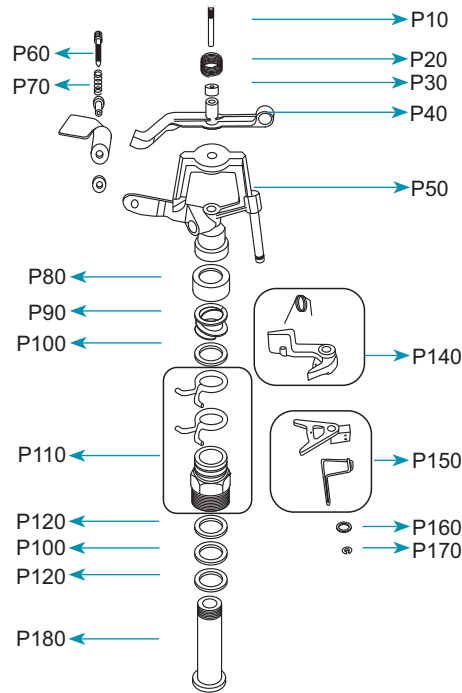


VYRSA SPRINKLERS

VYRSA 8004

PART CIRCLE

1/2" (15mm)



CODE	PRICE
P10-8004	R19.97
P20-8004	R22.83
P30-8004	R7.00
P40-8004	R74.19
P50-8004	R148.38
P60-8004	R22.83
P70-8004	R14.27
P80-8004	R7.00
P90-8004	R28.53
P100-8004	R14.27
P110-8004	R122.00
P120-8004	R11.41
P140-8004	R48.51
P150-8004	R51.36
P160-8004	R2.85
P170-8004	R2.00
P180-8004	R71.34

TECHNICAL GUIDANCE TABLE

NOZZLE	Spacing (m) / Precipit. rate (mm/h)						
	BAR	9x9 T	9x10 T	9x12 T	10x10 T	10x12 T	12x12
3mm 1/8"	2,5	7,7	7,4	6,3	5,3	4,6	3,5
	3	8,2	7,8	6,6	6	5,2	4
	3,5	8,9	8,4	7,9	7,6	6,8	5,5
3,5mm 9/64"	2,5	9,7	9	7,6	7,3	6,6	5,5
	3	10,6	9,8	8,3	8	7,2	6
	3,5	11,5	10,6	8,9	8,6	7,8	6,5
4mm 5/32"	2,5	12	11,1	9,3	9	8,1	6,8
	3	13,1	12,1	10,2	9,8	8,9	7,4
	3,5	14,2	13,1	11	10,6	9,6	8

CU < 85% CU 85-88% CU 88-92% CU > 92%

PERFORMANCE NOZZLE TABLE

NOZZLE	3mm		3.5mm		4mm	
	L / H	Ø m	L / H	Ø m	L / H	Ø m
1.5	450	20	580	21	730	22
2.0	510	21	660	22	850	23
2.5	550	22	740	23	950	24
3.0	630	23	810	23	1030	24
3.5	680	23	870	24	1110	25
4.0	720	24	930	25	1180	26

Not recommended for best distribution Indicates standard nozzle size Only for full circle series

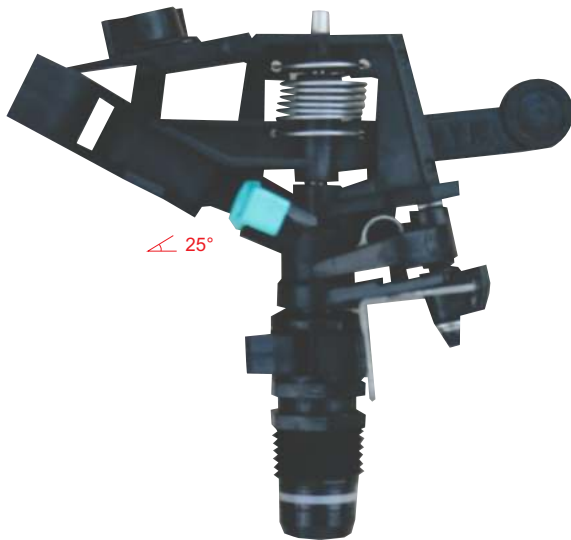
- Standard nozzles will be supplied with sprinklers . Please specify when different nozzles are required which will be additionally supplied.
- These results has been obtained at indoor laboratory with 0m/sec wind velocity. Outdoor results may change range distance.



VYRSA 8020

1/2" (15mm)

PART CIRCLE



"Standard nozzle is 4mm"
(Other nozzle size is not always stock item)

DIMENSIONS

Height : 13 cm.
 Width : 12 cm.
 Weight : 80 g.
 Units per box : 100

GENERAL PROPERTIES:

- Part-circle plastic impact sprinkler for gardening, agriculture, floriculture and greenhouses.
- 1/2" male connection.
- Made of plastic and stainless steel.
- High-resistance rotating joints.
- Arm with anti-splash design.
- Adjustable deflector plate.
- Upper "clip" for positioning inside a casing.
- Irrigation area system controlled by rotating clips.
- Adjustable jet breaker diffuser pin.
- Its versatility and adaptability to all type of gardens
- This model is also used in low flow agricultural irrigation systems as a complementary part-circle model to VYR-26.

TECHNICAL SPECIFICATIONS:

- Reach: **10 - 13m.**
- Flow: 460 - 1180 L/H.
- Working pressure: 1,5 - 4 BAR.
- Area: **Full or part circle.**
- Nozzles: A multi-jet nozzle.
- Trajectory angles: **25°**
- Maximum stream height: 2,5m.
- Rotation time: Adjustable. Depending on the pressure and the nozzles, the rotation will be constant and continuous.

OPTION	CODE	PRICE
With one nylon nozzle	VYR8020	R128.87
Loose nozzles (Nylon)	PL8020NZ <small>Size?</small>MM	R5.00

Public and private gardens.
Horticultural plantations, floriculture and fruit trees.

**MANUFACTURED IN SPAIN
INCREASED ENERGY EFFICIENCY
HIGH COEFFICIENTS UNIFORMITY
WATER SAVING**

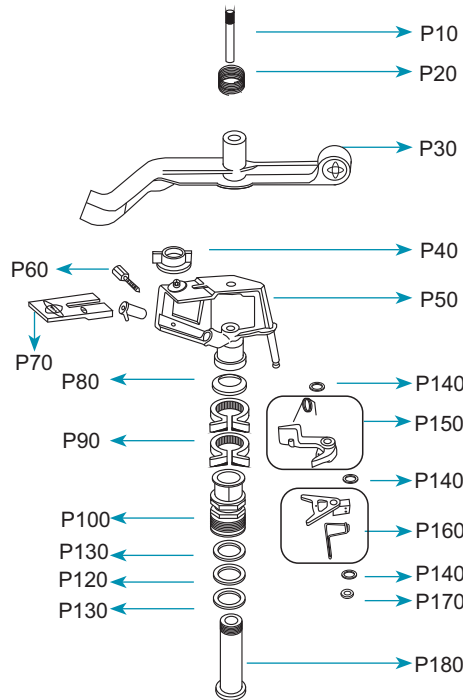


VYRSA SPRINKLERS

VYRSA 8020

PART CIRCLE

1/2" (15mm)



CODE	PRICE
P10-8020	R19.97
P20-8020	R22.83
P30-8020	R6.00
P40-8020	R14.27
P50-8020	R42.50
P60-8020	R14.27
P70-8020	R19.97
P80-8020	R11.41
P90-8020	R2.85
P100-8020	R31.39
P120-8020	R14.27
P130-8020	R11.41
P140-8020	R2.85
P150-8020	R20.00
P160-8020	R65.63
P170-8020	R6.00
P180-8020	R11.00

TECHNICAL GUIDANCE TABLE

NOZZLE	Spacing (m) / Precipit. rate (mm/h)						
	BAR	9x9 T	9x10 T	9x12 T	10x10 T	10x12 T	12x12
3mm 1/8"	2,5	6,7	6	4,6	4,3	4,1	3,5
	3	7,6	6,8	5,3	5	4,7	4
	3,5	8,5	7,6	5,9	5,6	5,3	4,5
3,5mm 9/64"	2,5	9	8,1	6,3	6	5,6	4,8
	3	10,1	9,1	7,2	6,8	6,4	5,4
	3,5	11,2	10,1	8	7,6	7,1	6
4mm 5/32"	2,5	11,5	10,4	8,3	7,9	7,3	6,2
	3	12,9	11,7	9,4	8,9	8,2	6,9
	3,5	14,2	12,9	10,4	9,8	9,1	7,7

CU < 85% CU 85-88% CU 88-92% CU > 92%

PERFORMANCE NOZZLE TABLE

NOZZLE	3mm		3.5mm		4mm	
	L / H	Ø m	L / H	Ø m	L / H	Ø m
1.5	450	20	580	21	730	22
2.0	510	21	660	22	850	23
2.5	550	22	740	23	950	24
3.0	630	23	810	23	1030	24
3.5	680	23	870	24	1110	25
4.0	720	24	930	25	1180	26

Not recommended for best distribution Indicates standard nozzle size Only for full circle series

- Standard nozzles will be supplied with sprinklers . Please specify when different nozzles are required which will be additionally supplied.
- These results has been obtained at indoor laboratory with 0m/sec wind velocity. Outdoor results may change range distance.

VYRSA 25

1/2" (15mm)

FULL CIRCLE



"Standard nozzle is 3.6mm"
(Other nozzle size is not always stock item)

GENERAL PROPERTIES:

- Low angle and low flow agricultural impact sprinkler.
- 1/2" male connection.
- Made of bronze, brass and stainless steel.
- High-resistance rotating joints.

TECHNICAL SPECIFICATIONS:

- Range distance: **8 - 13 m.**
- Flow: 260 - 1180 L/H .
- Working pressure: 1,7 - 4,5 BAR.
- Area: **Full circle.**
- Nozzles: One nozzle.
- Trajectory angles: **15°**
- Maximum stream height: 1,5 m.
- Rotation time: Depending on the pressure and the nozzles, the rotation will be constant and continuous.

DIMENSIONS

Height : 11 cm.
 Width : 11 cm.
 Weight : 236 g.
 Units per box : 100

OPTION	CODE	PRICE
With one brass nozzle	VYR25	R294.98
Loose nozzles (Brass)	NZ ^{Size?} MM-25	R11.75

Low flow crops and horticulture. Ideal for areas with strong winds and irrigation under trees.

MANUFACTURED IN SPAIN
INCREASED ENERGY EFFICIENCY
HIGH COEFFICIENTS UNIFORMITY
WATER SAVING

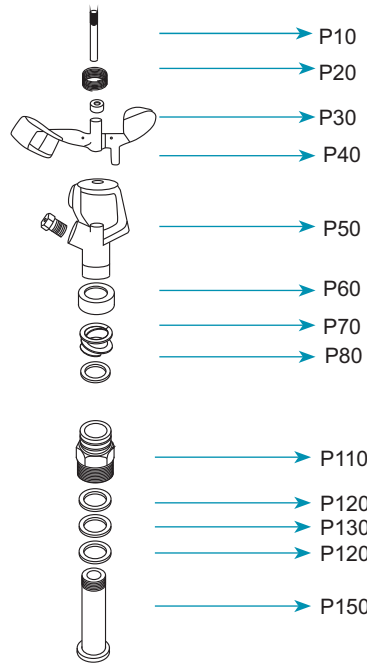


VYRSA SPRINKLERS

VYRSA 25

FULL CIRCLE

1/2" (15mm)



CODE	PRICE
P10-25	R22.83
P20-25	R22.83
P30-25	R8.00
P40-25	R7.00
P50-25	R7.00
P60-25	R74.19
P70-25	R148.38
P80-25	R8.00
P90-25	R28.53
P100-25	R14.27
P110-25	R40.46
P120-25	R11.41
P130-25	R14.27
P150-25	R71.34

TECHNICAL GUIDANCE TABLE

NOZZLE	Spacing (m) / Precipit. rate (mm/h)						
	BAR	9x9 T	9x10 T	9x12 T	10x10 T	10x12 T	12x12
2,4mm	2	4,4	4	3,3	3,6	3	2,5
	2,5	4,9	4,4	3,7	4	3,3	2,7
	3	5,2	4,7	3,9	4,3	3,5	3
	3,5	5,6	5,1	4,2	4,6	3,8	3,2
2,8mm	2	5,6	5	4,2	4,5	3,8	3,1
	2,5	6,1	5,5	4,6	5	4,1	3,4
	3	6,5	5,9	4,9	5,3	4,4	3,7
	3,5	7	6,3	5,3	5,7	4,8	4
3,2mm	2	6,8	6,1	5,1	5,5	4,6	3,8
	2,5	7,4	6,7	5,6	6	5	4,2
	3	8	7,2	6	6,5	5,4	4,5
	3,5	8,6	7,7	6,4	7	5,8	4,8
3,6mm	2	7,9	7,1	5,9	6,4	5,3	4,4
	2,5	8,7	7,8	6,5	7,0	5,9	4,9
	3	9,4	8,5	7,1	7,6	6,4	5,3
	3,5	10,1	9,1	7,6	8,2	6,8	5,7

T: Triang. CU < 85% CU 85-88% CU 88-92% CU > 92%

PERFORMANCE NOZZLE TABLE

NOZZLE	2,8mm		3mm		3,2mm		R 3,6mm	
BAR	L / H	Ø m	L / H	Ø m	L / H	Ø m	L / H	Ø m
1,5	384	20	480	20	516	20	720	18
2	420	20	546	20	594	22	822	20
2,5	480	20	600	22	636	22	918	20
3	516	22	642	22	702	22	966	20
3,5	564	22	702	22	720	22	1062	20
4	606	22	744	22	750	24	1140	20

Indicates standard nozzle size Only for full circle series

- Standard nozzles will be supplied with sprinklers . Please specify when different nozzles are required which will be additionally supplied.
 - These results has been obtained at indoor laboratory with 0m/sec wind velocity. Outdoor results may change range distance.

VYRSA 26

1/2" (15mm)

FULL CIRCLE



"Standard nozzles are 3.0 x 1.6mm"
(Other nozzle size is not always stock item)

DIMENSIONS

Height : 12 cm.
 Width : 12 cm.
 Weight : 51 g.
 Units per box : 300

GENERAL PROPERTIES

- Riser-mounted low flow sprinkler.
- 1/2" male connection.
- Made of plastic delrin and stainless steel.
- High-resistance rotating joints.
- Quick-coupling bayonet nozzles, color-coded for easy identification.
- GERMINATION models.
- Three different positions for spring tension.

TECHNICAL SPECIFICATIONS

- Range distance: **8 - 12 m.**
- Flow: 157 - 1249 L/H.
- Working pressure: 1,5 - 3,5 BAR.
- Area: **Full circle.**
- Nozzles: Two nozzles, one long range and the other short range.
- Trajectory angles: **26° and 18°**
- Maximun height of waterjet: 3 m.
- Rotation time: Depending on the pressure and the nozzles, the rotation will be constant and continuous (adjustable).

OPTION	CODE	PRICE
With two nylon nozzles	VYR26	R76.85
Loose nozzles (Nylon)	PL26NZ <small>Size?.MM</small> <small>Add "SP" for Spreader</small>	R5.00
Nylon plugs	PL26NZPLUG	R5.00

Low flow irrigation such as cotton, vegetables, floriculture, strawberry plants, etc

MANUFACTURED IN SPAIN
INCREASED ENERGY EFFICIENCY
HIGH COEFFICIENTS UNIFORMITY
WATER SAVING

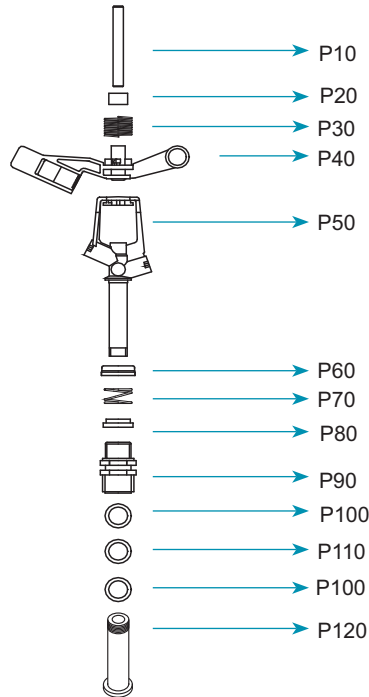


VYRSA SPRINKLERS

VYRSA 26

FULL CIRCLE

1/2" (15mm)



CODE	PRICE
P10-26	R19.97
P20-26	R5.71
P30-26	R11.41
P40-26	R12.00
P50-26	R12.10
P60-26	R12.30
P70-26	R11.41
P80-26	R12.00
P90-26	R31.39
P100-26	R11.00
P110-26	R11.00
P120-26	R12.20

TECHNICAL GUIDANCE TABLE

NOZZLE	Spacing (m) / Precipit. rate (mm/h)								
	BAR	10x10	10x10 T	10x12	12x12	12x12 T	12x14	14x14	14x14 T
2,5mm x 1,6mm	2,5	5,4	5,4	4,5	3,8	3,8	3,2	2,8	2,8
	3	5,9	5,9	4,9	4,1	4,1	3,5	3	3
	3,5	5,7	5,7	4,8	4	4	3,4	2,9	2,9
2,8mm x 1,6mm	2	6,8	6,8	5,7	4,7	4,7	4	3,4	3,4
	3	7,4	7,4	6,1	5,1	5,1	4,3	3,7	3,7
	4	8	8	6,6	5,5	5,5	4,7	4	4
3mm x 1,6mm	2	7,5	7,5	6,2	5,2	5,2	4,4	3,8	3,8
	3	8,3	8,3	6,6	5,6	5,6	4,8	4,1	4,1
	4	8,8	8,8	7	6,1	6,1	5,2	4,4	4,4
3,2mm x 2,4mm	2	8,1	8,1	6,7	5,6	5,6	4,8	4,1	4,1
	3	8,8	8,8	7,3	6,1	6,1	5,2	4,4	4,4
	4	9,6	9,6	8	6,5	6,5	5,6	4,8	4,8
3,6mm x 2,4 mm	2	10	10	8,6	7,2	7,2	6,1	5,2	5,2
	3	11	11	9,5	7,8	7,8	6,5	5,5	5,5
	4	11	11	10	8,3	8,3	7	5,9	5,9
4mm x 2,4mm	2	12	12	10,2	8,5	8,5	7,2	6,2	6,2
	3	13	13	11,1	9,3	9,3	7,8	6,6	6,6
	4	13	13	11,9	10	10	8,4	7,1	7,1

T: Triang. CU 85-88% CU 88-92% CU > 92%

PERFORMANCE NOZZLE TABLE

NOZZLE	1.6mm		2.4mm		2.5mm		2.6mm		2.8mm		3mm		3.2mm		3.6mm	
	L/H	Ø m	L/H	Ø m	L/H	Ø m	L/H	Ø m	L/H	Ø m	L/H	Ø m	L/H	Ø m	L/H	Ø m
2.0	100	8	227	10	245	18	270	18	433	20	497	20	565	20	716	20
2.5	112	8	254	10	275	18	303	18	484	20	556	20	632	20	800	22
3.0	123	8	278	10	310	18	336	18	530	20	609	20	693	20	876	22
3.5	133	10	300	12	335	20	376	20	573	20	657	20	748	20	947	22
4.0	142	10	321	12	365	20	421	20	612	20	703	20	800	20	1012	22

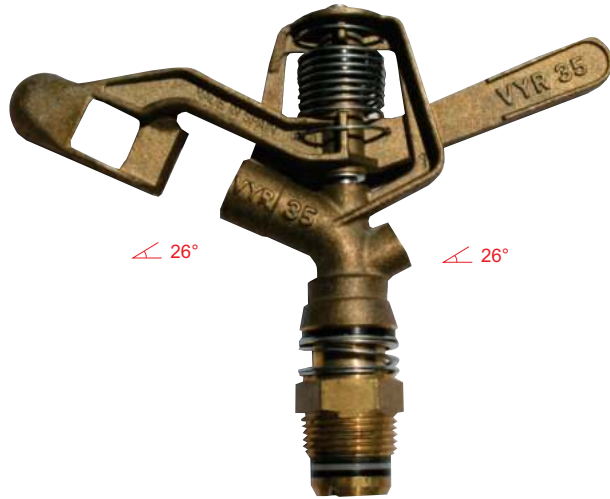
Not recommended for best distribution Indicates standard nozzle size

- Standard nozzles will be supplied with sprinklers . Please specify when different nozzles are required which will be additionally supplied.
- In order to calculate the flow, add the flows of the two nozzles.
- These results has been obtained at indoor laboratory with 0m/sec wind velocity. Outdoor results may change range distance.

VYRSA 35

3/4" (20mm)

FULL CIRCLE - SPACING 12m - 18m



GENERAL PROPERTIES

- Medium flow agricultural impact sprinkler.
- 3/4" male connection.
- Made of brass and stainless steel.
- High-resistance rotating joints.
- Designed for full coverage irrigation offering best compliance with spacing standards in the market.
- Leading sprinkler in the agricultural market.

TECHNICAL SPECIFICATIONS

- Range distance: **13 - 18 m.**
- Flow: 660 - 3270 L/H
- Working pressure: 1,75 - 4,5 BAR.
- Area: **Full circle.**
- Nozzles: Two nozzles: one main nozzle and a secondary deflector nozzle or plug.
- Trajectory angles: **26° and 26°**
- Maximum stream height: 4,2 m.
- Rotation time: Depending on the pressure and the nozzles, the rotation will be constant and continuous.

DIMENSIONS

Height : 14 cm.
 Width : 17 cm.
 Weight : 430 g.
 Units per box : 50

OPTION	CODE	PRICE
Without nozzle	VYR35	R 376.19
With one nylon nozzle and nylon plug	VYR35-1	R382.56
With two nylon nozzles	VYR35-2	R386.25
With one brass nozzle and nylon plug	VYR35-3	R398.00
With two brass nozzles	VYR35-4	R417.13
Loose nozzles (Brass)	NZ <u>Size?</u> Add "SP" for Spreader	R20.47
Loose nozzles (Nylon)	PLNZ <u>Size?</u> Add "SP" for Spreader	R5.00
Nylon plugs	PLUG	R1.34
Brass plugs	NZBRASS-35	R14.77

This model is compatible with almost any type of crop and with a wide range of pluviometric and spacing conditions.

MANUFACTURED IN SPAIN
INCREASED ENERGY EFFICIENCY
HIGH COEFFICIENTS UNIFORMITY
WATER SAVING

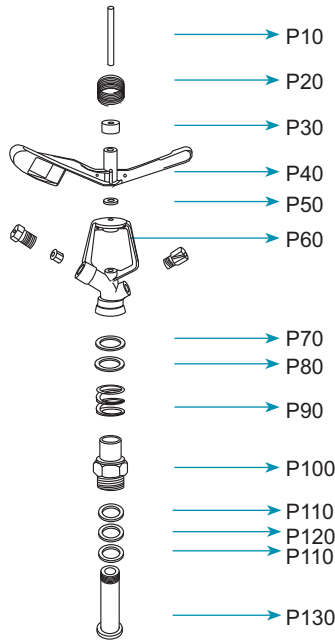


VYRSA SPRINKLERS

VYRSA 35

FULL CIRCLE - SPACING 12m - 18m

3/4" (20mm)



CODE	PRICE
P10-35/56	R22.83
P20-35/36/56	R28.53
P30-35	R8.00
P40-35	R156.94
P50-35	R6.00
P60-35	R219.71
P70-35/56/70	R28.53
P80-35/56/70	R19.97
P90-35/70	R31.39
P100-35/70	R136.96
P110/130-35/36/46/56/70	R11.41
P120-35/36/46/56/70	R14.27
P130-35/70	R119.84

TECHNICAL GUIDANCE TABLE

NOZZLE	Spacing (m) / Precipit. rate (mm/h)				
	BAR	12x15 T	15x15 T	15x18 T	18x18 T
4,0mm x 2,4mm 5/32" x 3/32"	3	9,9	7,9	6,3	5,9
	3,5	10,7	8,6	6,8	6,3
	4	11,4	9,1	7,3	6,8
	5	11,9	9,6	7,8	7,3
4,4mm x 2,4mm 11/64" x 3/32"	3	11,2	9	7,4	6,8
	3,5	12,3	9,9	7,9	7,3
	4	13,2	10,6	8,4	7,8
	5	13,8	11,2	9	8,4
4,8mm x 3,2mm 3/16" x 1/8"SP	3	13,1	10,5	8,4	7,7
	3,5	14,2	11,3	9,1	8,4
	4	15,1	12,1	9,7	8,9
	5	15,7	12,7	10,4	9,6
5,2mm x 3,2mm 13/64" x 1/8"SP	3	17,4	13,8	10,8	9,7
	3,5	18,3	14,7	11,7	10,8
	4	19,6	15,7	12,5	11,6
	5	20,8	16,9	13,7	12,8

T: Triang. CU 85-88% CU 88-92% CU > 92%

PERFORMANCE NOZZLE TABLE

Long Range Nozzle (long vane) + plug

NOZZLE	3.2mm 1/8"R		3.6mm 9/64"		4mm 5/32"		4.4mm 11/64"		4.8mm 3/16"		5.2mm 13/64"		5.6mm 7/32"	
	BAR	L/H	Ø m	L/H	Ø m	L/H	Ø m	L/H	Ø m	L/H	Ø m	L/H	Ø m	
2.5	620	26	790	26.5	1970	27.5	1160	30	1390	32	1640	32.5	1720	34
3.0	680	26	860	26.5	1050	28	1270	30.5	1510	32	1790	33.5	1880	35
3.5	740	26.5	930	27	1140	29.5	1380	31.5	1640	33	1930	34.5	2140	36
4.0	790	26.5	1000	28	1220	29.5	1470	32.5	1750	34	2060	35.5	2240	37
4.5	840	27	1060	29	1290	30	1550	33.5	1860	35	2180	36	2410	38.5

Long Range Nozzle (long vane) + short range nozzle

NOZZLE	3.2mm x 2.4mm 1/8"R x 3/32"		3.6mm x 2.4mm 9/64" x 3/32"		4mm x 2.4mm 5/32" x 3/32"		4.4mm x 2.4mm 11/64" x 3/32"		4.8mm x 3.2mm 3/16" x 1/8"SP		5.2mm x 3.2mm 13/64" x 1/8"SP		5.6mm x 3.2mm 7/32" x 1/8"SP	
	BAR	L/H	Ø m	L/H	Ø m	L/H	Ø m	L/H	Ø m	L/H	Ø m	L/H	Ø m	
2.5	980	26	1150	26.5	1320	27.5	1520	30	2050	32	2310	32.5	2460	34
3.0	1070	26	1250	26.5	1450	28	1670	30.5	2240	32	2520	33.5	2730	35
3.5	1160	26.5	1350	27	1560	29.5	1800	31.5	2420	33	2720	34.5	2915	36
4.0	1240	26.5	1450	28	1670	29.5	1920	32.5	2590	34	2910	35.5	3035	37
4.5	1320	27	1540	29	1770	30	2030	33.5	2750	35	3070	36	3170	38.5

Not recommended for best distribution Indicates standard nozzle size

(Sprinkler at 1 meter height)

- When nozzles are ordered with sprinklers they will be supplied with standard nozzles unless otherwise specified.
- These results has been obtained at indoor laboratory with 0m/sec wind velocity. Outdoor results may change range distance.



VYRSA 36

3/4" (20mm)

FULL CIRCLE - SPACING 12m - 18m



DIMENSIONS

Height : 14 cm.
 Width : 17 cm.
 Weight : 178 g.
 Units per box : 100

GENERAL PROPERTIES:

- Medium flow agricultural impact sprinkler.
- 3/4" male connection.
- Made of plastic and stainless steel.
- High-resistance rotating joints.
- Used in full coverage irrigation with the best compliance with spacing standards in the market.
- Curved design of the internal angles of the body to avoid internal hydraulic turbulence and for greater reach.
- Nickel plating steel ball counterweights inserted in the arm.
- Plastic sprinkler, leader in the agricultural market.

TECHNICAL SPECIFICATIONS

- Range distance: 13 - 18 m.
- Flow: 660 - 3270 L/H
- Working pressure: 1,75 - 4,5 BAR.
- Area: **Full circle.**
- Nozzles: Two nozzles: one main nozzle and a secondary deflector nozzle or plug.
- Trajectory angles: **25° and 25°**
- Maximum stream height: 4 m.
- Rotation time: Depending on the pressure and the nozzles, the rotation will be constant and continuous.

OPTION	CODE	PRICE
Without nozzle	VYR36	R102.69
With one nylon nozzle and nylon plug	VYR36-1	R 109.00
With two nylon nozzles	VYR36-2	R112.75
With one brass nozzle and nylon plug	VYR36-3	R124.50
With two brass nozzles	VYR36-4	R143.63
Loose nozzles (Brass)	NZ Size? Add "SP" for Spreader	R20.47
Loose nozzles (Nylon)	PLNZ Size? Add "SP" for Spreader	R5.00
Nylon plugs	PLUG	R1.34
Brass plugs	NZBRASS-35	R14.77

VYRSA 36-BT



Standard with 6 x Nylon Nozzles and plug in a bag and tagged.

CODE	PRICE
VYR36-BT	R134.00

2,4mm	3,2mm	3,6mm	4,0mm	4,4mm	4,8mm	PLUG
3/32"SP	1/8"SP	9/64"	5/32"	11/64"	3/16"	

MANUFACTURED IN SPAIN
INCREASED ENERGY EFFICIENCY
HIGH COEFFICIENTS UNIFORMITY
WATER SAVING

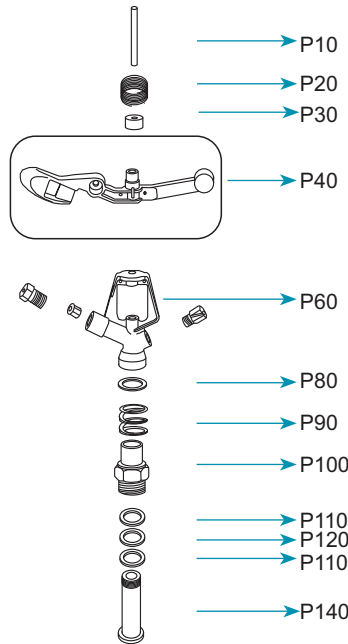


VYRSA SPRINKLERS

VYRSA 36

FULL CIRCLE - SPACING 12m - 18m

3/4" (20mm)



CODE	PRICE
P10-36	R22.83
P20-35/36/56	R28.53
P30-36	R7.42
P40-36	R57.00
P60-36	R85.60
P80-36	R12.00
P90-36/56	R28.53
P100-36/46/56	R34.24
P110/130-35/36/46/56/70	R11.41
P120-35/36/46/56/70	R14.27
P140-36/46/56/66	R34.24

TECHNICAL GUIDANCE TABLE

NOZZLE	Spacing (m) / Precipit. rate (mm/h)						
	BAR	12x12	12x15	15x15	15x15 T	15x18 T	18x18
3,6mm x 2,4mm 9/64" x 3/32"	3	8,5	6,8	5,4	5	3,7	3,8
	3,5	9,2	7,4	5,9	5,4	4	4,1
	4	9,8	7,9	6,3	5,8	4,3	4,4
4,0mm x 2,4mm 5/32" x 3/32"	3	9,9	7,9	6,3	5,9	4,3	4,4
	3,5	10,7	8,6	6,8	6,3	4,7	4,8
	4	11,4	9,1	7,1	6,8	5	5,1
4,4mm x 2,4mm 11/64" x 3/32"	3	12,2	9,9	7,3	7	5,8	4,8
	3,5	13,1	10,8	7,1	7,5	6	5
	4	14	11,9	8,3	8	7,2	5,4
4,8mm x 3,2mm 3/16" x 1/8"SP	3	15,1	12,1	9,7	9	6,6	6,7
	3,5	16,3	13,1	10,5	9,7	7,1	7,3
	4	17,5	14	11,2	10,3	7,6	7,8

T: Triang. CU < 85% CU 85-88% CU 88-92% CU > 92%

PERFORMANCE NOZZLE TABLE

Long Range Nozzle (long vane) + plug

NOZZLE	3,2mm 1/8"R		3,6mm 9/64"		4mm 5/32"		4,4mm 11/64"		4,8mm 3/16"		5,2mm 13/64"		5,6mm 7/32"	
	BAR	L/H	Ø m	L/H	Ø m	L/H	Ø m	L/H	Ø m	L/H	Ø m	L/H	Ø m	
2	565	26	760	26,5	883	27,5	1069	28,5	1272	30	1493	31	1732	32
2,5	620	26	790	26,5	970	27,5	1160	29	1390	31	1640	31,5	1720	33
3	680	26	860	26,5	1050	28	1270	29,5	1510	32	1790	32,5	1880	34
3,5	740	26,5	930	27	1140	29,5	1380	31	1640	33	1930	33,5	2140	35
4	790	26,5	1000	28	1220	29,5	1470	32	1750	33,5	2060	34,5	2240	36
4,5	840	27	1060	29	1290	30	1550	32,5	1860	34	2180	35	2410	36,5

Long Range Nozzle (long vane) + short range nozzle

NOZZLE	3,2mm x 2,4mm 1/8"R x 3/32"		3,6mm x 2,4mm 9/64" x 3/32"		4mm x 2,4mm 5/32" x 3/32"		4,4mm x 2,4mm 11/64" x 3/32"		4,8mm x 3,2mm 3/16" x 1/8"SP		5,2mm x 3,2mm 13/64" x 1/8"SP		5,6mm x 3,2mm 7/32" x 1/8"SP	
	BAR	L/H	Ø m	L/H	Ø m	L/H	Ø m	L/H	Ø m	L/H	Ø m	L/H	Ø m	
2	883	26	1034	26,5	1201	27,5	1387	28,5	1837	30	2058	31	2297	32
2,5	980	26	1150	26,5	1320	27,5	1520	29	2050	31	2310	31,5	2460	33
3	1070	26	1250	26,5	1450	28	1670	29,5	2240	32	2520	32,5	2730	34
3,5	1160	26,5	1350	27	1560	29,5	1800	31	2420	33	2720	33,5	2915	35
4	1240	26,5	1450	28	1670	29,5	1920	32	2590	33,5	2910	34,5	3035	36
4,5	1320	27	1540	29	1770	30	2030	32,5	2750	34	3070	35	3170	36,5

Not recommended for best distribution Indicates standard nozzle size (Sprinkler at 1 meter height)

- When nozzles are ordered with sprinklers they will be supplied with standard nozzles unless otherwise specified.
- These results has been obtained at indoor laboratory with 0m/sec wind velocity. Outdoor results may change range distance.

VYRSA 46

3/4" (20mm)

FULL CIRCLE - SPACING 12m - 18m



GENERAL PROPERTIES:

- Medium flow and low angle agricultural impact sprinkler "WIND FIGHTER".
- 3/4" male connection.
- Made of plastic, brass and stainless steel.
- High-resistance rotating joints.
- Specially designed for greater reach on Pivots, windy areas or under-tree irrigation.

TECHNICAL SPECIFICATIONS:

- Range distance: **11.5 - 15.5 m.**
- Flow: 400 - 2400 L/H.
- Working pressure: 1.75 - 4.5 BAR.
- Area: **Full circle.**
- Nozzles: Two nozzles: one main nozzle and a secondary nozzle or plug.
- Trajectory angles: **7° and 7°**
- Maximum stream height: 1.2 m.
- Rotation time: Depending on the pressure and the nozzles, the rotation will be constant and continuous.

DIMENSIONS

Height : 14 cm.
 Width : 19 cm.
 Weight : 190 g.
 Units per box : 50

OPTION	CODE	PRICE
Without nozzle	VYR46	R 144.00
With one nylon nozzle and nylon plug	VYR46-1	R154.00
With two nylon nozzles	VYR46-2	R155.00
With one brass nozzle and nylon plug	VYR46-3	R169.47
With two brass nozzles	VYR46-4	R184.94
Loose nozzles (Brass)	NZ Size?	R20.47
Loose nozzles (Nylon)	PLNZ Size?	R5.00
Nylon plugs	PLUG-46	R5.00
Brass plugs	NZBRASS-46	R20.47

(main and secondary nozzles are the same)

Horticultural plantations, cereals, tubers, leguminous plants and fruit trees.

**MANUFACTURED IN SPAIN
INCREASED ENERGY EFFICIENCY
HIGH COEFFICIENTS UNIFORMITY
WATER SAVING**

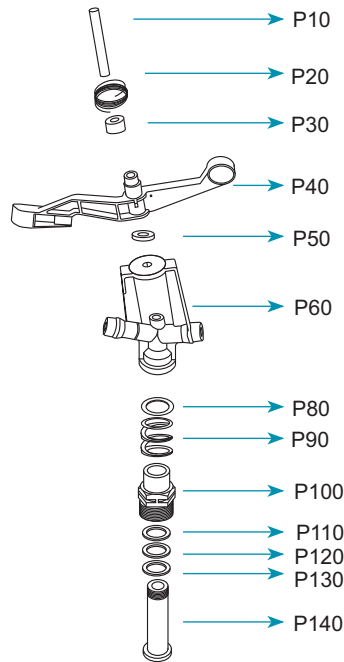


VYRSA SPRINKLERS

VYRSA 46

FULL CIRCLE - SPACING 12m - 18m

3/4" (20mm)



CODE	PRICE
P10-46	R22.83
P20-46	R28.53
P30-46	R5.71
P40-46	R85.60
P50-46	R5.71
P60-46	R99.87
P80-46	R19.97
P90-46	R28.53
P100-36/46/56	R34.24
P110/130-35/36/46/56/70	R11.41
P120-35/36/46/56/70	R14.27
P140-36/46/56/66	R34.24

PERFORMANCE NOZZLE TABLE

Long Range Nozzle (long vane) + plug

NOZZLE	3,2 mm 1/8"R		3,6 mm 9/64"		4 mm 5/32"		4,4 mm 11/64"		4,8 mm 3/16"		5,2 mm 13/64"		5,6 mm 7/32"	
	BAR	L/H	Ø m	L/H	Ø m	L/H	Ø m	L/H	Ø m	L/H	Ø m	L/H	Ø m	
1	400	23	510	23										
1,5	500	25	620	25										
2	560	26	710	26,5										
2,5	630	26,5	780	27,5	950	23	1140	23	1360	24	1610	24,5	1880	25
3	680	27,5	850	28	1050	24,5	1300	25	1530	25,5	1800	26	2090	27,5
3,5	720	28	920	28,5	1140	26	1360	26	1650	26,5	1940	27	2250	28
4					1200	25	1470	27	1750	27,5	2050	28	2400	28,5

(Sprinkler at 1 meter height)

Not recommended for best distribution Indicates standard nozzle size

- When nozzles are ordered with sprinklers they will be supplied with standard nozzles unless otherwise specified.
- In order to calculate the flow, add the flows of the two nozzles.
- These results has been obtained at indoor laboratory with 0m/sec wind velocity. Outdoor results may change range distance.

VYRSA 56

3/4" (20mm)

FULL CIRCLE - SPACING 12m - 24m



GENERAL PROPERTIES:

- Medium flow agricultural impact sprinkler.
- 3/4" male connection.
- Made of plastic and stainless steel.
- High-resistance rotating joints.
- Special design for long reach.
- Used in full coverage irrigation with medium-high flow.

TECHNICAL SPECIFICATIONS:

- Range distance: **13 - 18 m.**
- Flow: 660 - 3270 L/H.
- Working pressure: 1,75 - 4,5 BAR.
- Area: **Full circle.**
- Nozzles: Two nozzles: one main nozzle and a secondary deflector nozzle or plug.
- Trajectory angles: **24° and 27°**
- Maximum stream height: 4,2 m.
- Rotation time: Depending on the pressure and the nozzles, the rotation will be constant and continuous.

DIMENSIONS

Height : 14 cm.
 Width : 19 cm.
 Weight : 190 g.
 Units per box : 100

OPTION	CODE	PRICE
Without nozzle	VYR56	R146.00
With one nylon nozzle and nylon plug	VYR56-1	R152.34
With two nylon nozzles	VYR56-2	R156.00
With one brass nozzle and nylon plug	VYR56-3	R167.81
With two brass nozzles	VYR56-4	R186.94
Loose nozzles (Brass)	NZ <u>Size?</u> Add "SP" for Spreader	R20.47
Loose nozzles (Nylon)	PLNZ <u>Size?</u> Add "SP" for Spreader	R5.00
Nylon plugs	PLUG	R1.34
Brass plugs	NZBRASS-35	R20.47

Horticultural plantations, cereals, tubers, leguminous plants and fruit trees.

MANUFACTURED IN SPAIN
INCREASED ENERGY EFFICIENCY
HIGH COEFFICIENTS UNIFORMITY
WATER SAVING

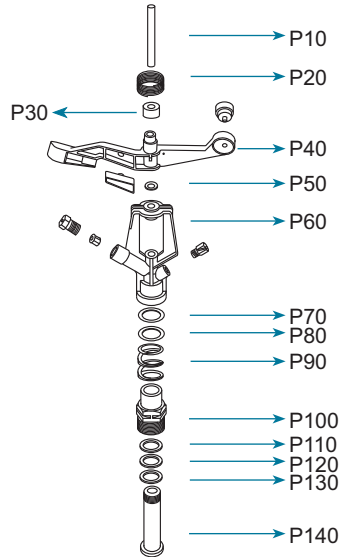


VYRSA SPRINKLERS

VYRSA 56

FULL CIRCLE - SPACING 12m - 24m

3/4" (20mm)



CODE	PRICE
P10-35/56	R22.83
P20-35/36/56	R28.53
P30-56	R7.00
P40-56	R85.60
P50-56	R6.00
P60-56	R99.87
P70-35/56/70	R28.53
P80-35/56/70	R19.97
P90-36/56	R28.53
P100-36/46/56	R34.24
P110/130-35/36/46/56/70	R11.41
P120-35/36/46/56/70	R14.27
P140-36/46/56/66	R34.24

TECHNICAL GUIDANCE TABLE

NOZZLE	Spacing (m) / Precipit. rate (mm/h)						
	BAR	15x15 T	15x18 T	18x18	18x18 T	18x20	20x20
4,0mm x 2,4mm 5/32" x 3/32"	3	5,9	4,3	4,4	4,1	4	
	3,5	6,3	4,7	4,8	4,4	4,3	3,9
4,4mm x 2,4mm 11/64" x 3/32"	4	6,8	5	5,1	4,7	4,6	4,1
	3	6,8	5	5,1	4,7	4,6	4,1
4,8mm x 3,2mm 3/16" x 1/8SP"	3,5	7,3	5,4	5,5	5,1	4,9	4,4
	4	7,8	5,8	5,9	5,4	5,3	4,8
	3	9	6,6	6,7	6,2	6,1	5,5
	3,5	9,7	7,1	7,3	6,7	6,5	5,9
	4	10,3	7,6	7,8	7,2	7	6,3

T: Triang. CU < 85% CU 85-88% CU 88-92% CU > 92%

PERFORMANCE NOZZLE TABLE

Long Range Nozzle (long vane) + plug

NOZZLE	3,2 mm 1/8"R		3,6 mm 9/64"		4 mm 5/32"		4,4 mm 11/64"		4,8 mm 3/16"		5,2 mm 13/64"	
	BAR	L/H	Ø m	L/H	Ø m	L/H	Ø m	L/H	Ø m	L/H	Ø m	
2,5	620	26,8	790	28,4	970	30,2	1160	31	1390	31,8	1640	32,6
3	680	27,4	860	28,8	1050	30,6	1270	31,8	1510	32,8	1790	33,8
3,5	740	27,8	930	29,4	1140	31,2	1380	32,4	1640	33,6	1930	34,8
4	790	28,2	1000	29,8	1220	31,6	1470	32,8	1750	34	2060	35,6
4,5	840	28,6	1060	30,2	1290	32	1550	33,2	1860	34,4	2180	36

Long Range Nozzle (long vane) + short range nozzle

NOZZLE	3.2mm x 2.4mm 1/8"R x 3/32"		3.6mm x 2.4mm 9/64" x 3/32"		4mm x 2.4mm 5/32" x 3/32"		4.4mm x 2.4mm 11/64" x 3/32"		4.8mm x 2.4mm 3/16" x 3/32"		4.8mm x 3.2mm 3/16" x 1/8"SP		5.2mm x 3.2mm 13/64" x 1/8"SP	
	BAR	L/H	Ø m	L/H	Ø m	L/H	Ø m	L/H	Ø m	L/H	Ø m	L/H	Ø m	
2.5	980	26,5	1150	28,2	1320	30	1520	30,6	1730	30,6	2050	32,5	2310	32,4
3	1070	27	1250	28,6	1450	30,4	1670	31,6	1800	31,6	2240	33	2520	33,4
3.5	1160	27,4	1350	29	1560	30,8	1800	32	1915	32	2420	33,5	2720	34,2
4	1240	28	1450	29,4	1670	31,2	1920	32,4	2070	32,4	2590	34	2910	35
4.5	1320	28,4	1540	29,8	1770	31,8	2030	33	2165	33	2750	34,5	3070	35,4

(Sprinkler at 1 meter height)

Not recommended for best distribution Indicates standard nozzle size

- When nozzles are ordered with sprinklers they will be supplied with standard nozzles unless otherwise specified.
 - These results has been obtained at indoor laboratory with 0m/sec wind velocity. Outdoor results may change range distance.



VYRSA 60

3/4" (20mm)

PART CIRCLE - SPACING 12m - 18m



DIMENSIONS

Height : 16 cm.
 Width : 18 cm.
 Weight : 609 g.
 Units per box : 25

GENERAL PROPERTIES

- Part circle impact sprinkler, medium flow.
- 3/4" male connection.
- Made of brass and stainless steel.
- High-resistance rotating joints.
- Part circle mechanical system using clips that are very easy and quick to adjust.
- Used in full coverage irrigation with medium flow to cover the side and corner areas.

TECHNICAL SPECIFICATIONS

- Reach: **12 - 19 m.**
- Flow: 800 - 3270 L/H.
- Working pressure: 1.75 - 5 BAR.
- Area: **Part or full circle.**
- Nozzles: One main long reach nozzle and a secondary short reach nozzle.
- Trajectory angles: **24° and 12°**
- Maximum stream height: 3.8 m.
- Rotation time: Depending on the pressure and the nozzles, the rotation will be constant and continuous.

OPTION	CODE	PRICE
Without nozzle	VYR60	R560.00
With one nylon nozzle and nylon plug	VYR60-1	R566.34
With two nylon nozzles	VYR60-2	R570.00
With one brass nozzle and nylon plug	VYR60-3	R581.81
With two brass nozzles	VYR60-4	R600.94
Loose nozzles (Brass)	NZ <u>Size?</u> Add "SP" for Spreader	R20.47
Loose nozzles (Nylon)	PLNZ <u>Size?</u> Add "SP" for Spreader	R5.00
Nylon plugs	PLUG	R1.34

Horticultural plantations, cereals, tubers, leguminous plants and fruit trees.

MANUFACTURED IN SPAIN
INCREASED ENERGY EFFICIENCY
HIGH COEFFICIENTS UNIFORMITY
WATER SAVING

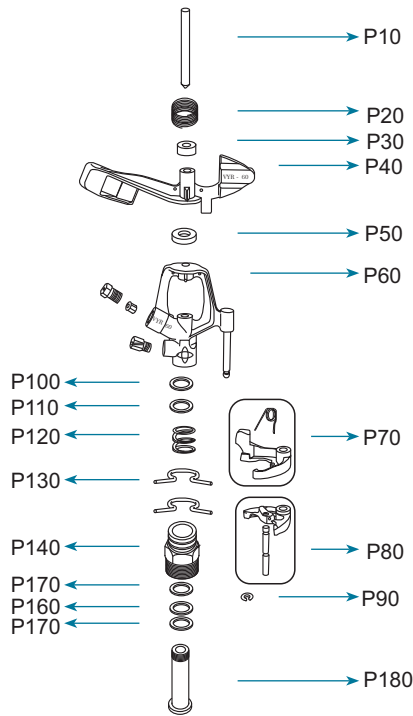


VYRSA SPRINKLERS

VYRSA 60

PART CIRCLE - SPACING 12m - 18m

3/4" (20mm)



CODE	PRICE
P10-60	R28.53
P20-60	R28.53
P30-60	R7.00
P40-60	R188.33
P50-60	R6.00
P60-60	R262.52
P70-60	R85.60
P80-60	R108.43
P90-60	R2.85
P100-60	R19.97
P110-60	R19.97
P120-60	R31.39
P130-60	R22.83
P140-60	R165.50
P160-60	R14.27
P170-60	R11.41
P180-60	R148.38

PERFORMANCE NOZZLE TABLE

Long Range Nozzle (long vane) + plug

NOZZLE	3.2mm 1/8"R		3.6mm 9/64"		4mm 5/32"		4.4mm 11/64"		4.8mm 3/16"		5.2mm 13/64"		5.6mm 7/32"	
	L/H	Ø m	L/H	Ø m	L/H	Ø m	L/H	Ø m	L/H	Ø m	L/H	Ø m	L/H	Ø m
2.5	620	26	790	26.5	1970	27.5	1160	30	1390	32	1640	32.5	1720	34
3.0	680	26	860	26.5	1050	28	1270	30.5	1510	32	1790	33.5	1880	35
3.5	740	26.5	930	27	1140	29.5	1380	31.5	1640	33	1930	34.5	2140	36
4.0	790	26.5	1000	28	1220	29.5	1470	32.5	1750	34	2060	35.5	2240	37
4.5	840	27	1060	29	1290	30	1550	33.5	1860	35	2180	36	2410	38.5

Long Range Nozzle (long vane) + short range nozzle

NOZZLE	3.2mm x 2.4mm 1/8"R x 3/32"		3.6mm x 2.4mm 9/64" x 3/32"		4mm x 2.4mm 5/32" x 3/32"		4.4mm x 2.4mm 11/64" x 3/32"		4.8mm x 3.2mm 3/16" x 1/8"SP		5.2mm x 3.2mm 13/64" x 1/8"SP		5.6mm x 3.2mm 7/32" x 1/8"SP	
	L/H	Ø m	L/H	Ø m	L/H	Ø m	L/H	Ø m	L/H	Ø m	L/H	Ø m	L/H	Ø m
2.5	980	26	1150	26.5	1320	27.5	1520	30	2050	32	2310	32.5	2460	34
3.0	1070	26	1250	26.5	1450	28	1670	30.5	2240	32	2520	33.5	2730	35
3.5	1160	26.5	1350	27	1560	29.5	1800	31.5	2420	33	2720	34.5	2915	36
4.0	1240	26.5	1450	28	1670	29.5	1920	32.5	2590	34	2910	35.5	3035	37
4.5	1320	27	1540	29	1770	30	2030	33.5	2750	35	3070	36	3170	38.5

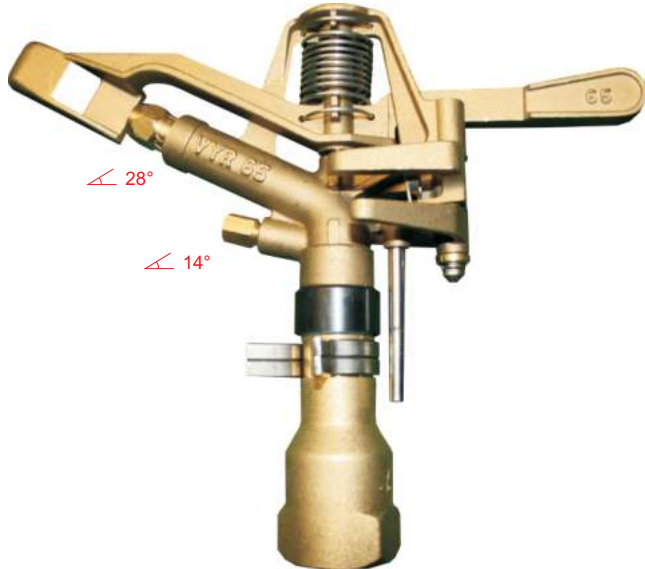
Not recommended for best distribution
 Indicates standard nozzle size
 (Sprinkler at 1 meter height)

- When nozzles are ordered with sprinklers they will be supplied with standard nozzles unless otherwise specified.
 - These results has been obtained at indoor laboratory with 0m/sec wind velocity. Outdoor results may change range distance.

VYRSA 65

1" (25mm)

PART CIRCLE - SPACING UP TO 30m



DIMENSIONS

Height : 24 cm.
 Width : 25 cm.
 Weight : 1.42 kg
 Units per box : 15

GENERAL PROPERTIES:

- Part circle agricultural impact sprinkler, medium-high flow.
- 1" female connection.
- Made of brass and stainless steel.
- High-resistance rotating joints.
- Part circle mechanical system using clips that are very easy and quick to adjust.
- Used in full coverage irrigation with medium-high flow to cover the side and corner areas.
- Special mechanical and hydraulic design for energy saving and an optimal coverage coefficient.

TECHNICAL SPECIFICATIONS:

- Reach: **16 - 24 m.**
- Flow: 2240 - 7840 L/H.
- Working pressure: 3.5 - 6 BAR.
- Area: **Part or full circle.**
- Nozzles: One main long reach nozzle and a secondary short reach nozzle.
- Trajectory angles: **28° and 14°**
- Maximum stream height: 6 m.
- Rotation time: Depending on the pressure and the nozzles, the rotation will be constant and continuous.

OPTION	CODE	PRICE
Without nozzle	VYR65	R1 694.00
With two brass nozzles	VYR65-4	R1 846.00
Loose nozzles (Brass)	NZ ^{Size?}- 86	R76.00
Loose nozzles (Nylon)	NZ 1/8 SP	R5.70

Horticultural plantations, cereals, tubers, leguminous plants and fruit trees.

MANUFACTURED IN SPAIN
INCREASED ENERGY EFFICIENCY
HIGH COEFFICIENTS UNIFORMITY
WATER SAVING

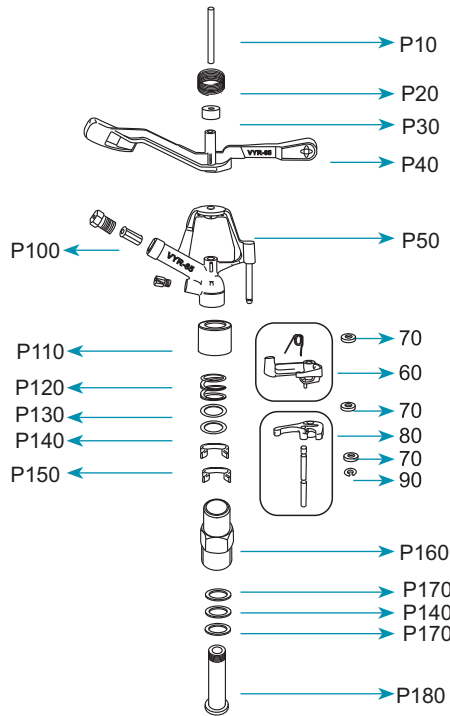


VYRSA SPRINKLERS

VYRSA 65

PART CIRCLE - SPACING UP TO 30m

1" (25mm)



CODE	PRICE
P10-65	R39.95
P20-65	R31.39
P30-65	R11.41
P40-65	R396.63
P50-65	R662.00
P60-65	R108.43
P70-65	R3.00
P80-65	R136.96
P90-65	R3.00
P100-65	R22.83
P110-65	R48.51
P120-65	R45.65
P130-65	R48.51
P140-65	R34.24
P150-65	R34.24
P160-65	R362.39
P170-65	R45.65
P180-65	R313.88

PERFORMANCE NOZZLE TABLE

Long Range Nozzle (long vane) + plug

NOZZLE	5,6 mm 7/32"		6,4 mm 1/4"		7,2 mm 9/32"		8,0 mm 5/16"		8,8 mm 11/32"		9,6 mm 3/8"	
	BAR	L/H	Ø m	L/H	Ø m	L/H	Ø m	L/H	Ø m	L/H	Ø m	
3,5	2370	42	3070	43	3730	44	4490	46	5335	46	6170	46
4	2550	44	3300	44	4030	46	4850	48	5730	49	6650	49
4,5	2700	46	3515	46	4250	48	5150	50	6150	51	7020	52
5	2880	47	3690	48	4550	49	5450	52	6510	54	7470	55
5,5	3000	48	3900	50	4765	50	5700	54	6810	55	7835	57

Long Range Nozzle (long vane) + short range nozzle

NOZZLE	4,8mm x 3,2mm 3/16" x 1/8"SP		5,6mm x 3,2mm 7/32" x 1/8"SP		6,4mm x 3,2mm 1/4" x 1/8"SP		7,2mm x 3,2mm 9/32" x 1/8"SP		8,0mm x 3,2mm 5/16" x 1/8"SP		8,8mm x 3,2mm 11/32" x 1/8"SP	
	BAR	L/H	Ø m	L/H	Ø m	L/H	Ø m	L/H	Ø m	L/H	Ø m	
3,5	2500	40	3050	42	3720	43	4430	44	6010	46	6755	46
4	2735	41	3265	44	4045	44	4740	46	6400	48	7290	49
4,5	2870	42	3470	46	4260	46	5045	48	6840	50	7800	51
5	3030	43	3660	47	4500	48	5380	49	7260	52	8250	54
5,5	3175	44	3845	48	4740	50	5575	50	7650	54	8640	55

Not recommended for best distribution Indicates standard nozzle size

- When nozzles are ordered with sprinklers they will be supplied with standard nozzles unless otherwise specified.
 - These results has been obtained at indoor laboratory with 0m/sec wind velocity. Outdoor results may change range distance.

VYRSA 66

3/4" (20mm)

PART CIRCLE - SPACING 12m - 18m



DIMENSIONS

Height : 16 cm.
 Width : 18 cm.
 Weight : 182 g.
 Units per box : 50

GENERAL PROPERTIES

- Part circle impact sprinkler, medium flow.
- 3/4" male connection.
- Made of plastic and stainless steel.
- Arm with 2 steel weights inserted.
- High-resistance rotating joints.
- Part circle mechanical system using clips that are very easy and quick to adjust.
- Used in full coverage irrigation with medium flow to cover the side and corner areas.
- Special mechanical and hydraulic design for energy saving and an optimal coverage coefficient.

TECHNICAL SPECIFICATIONS:

- Reach: **12 - 19 m.**
- Flow: 800 - 3,270 L/H.
- Working pressure: 1.75 - 5 BAR.
- Area: **Part or full circle.**
- Nozzles: One main long reach nozzle and a secondary short reach nozzle.
- Trajectory angles: **30° and 11°**
- Maximum stream height: 4.0 m.
- Rotation time: Depending on the pressure and the nozzles, the rotation will be constant and continuous.

OPTION	CODE	PRICE
Without nozzle	VYR66	R233.00
With one nylon nozzle and nylon plug	VYR66-1	R239.34
With two nylon nozzles	VYR66-2	R243.00
With one brass nozzle and nylon plug	VYR66-3	R254.81
With two brass nozzles	VYR66-4	R273.94
Loose nozzles (Brass)	NZ <u>Size?</u> Add "SP" for Spreader	R20.47
Loose nozzles (Nylon)	PLNZ <u>Size?</u> Add "SP" for Spreader	R5.00
Nylon plugs	PLUG	R1.34

Horticultural plantations, cereals, tubers, leguminous plants and fruit trees.

MANUFACTURED IN SPAIN
INCREASED ENERGY EFFICIENCY
HIGH COEFFICIENTS UNIFORMITY
WATER SAVING

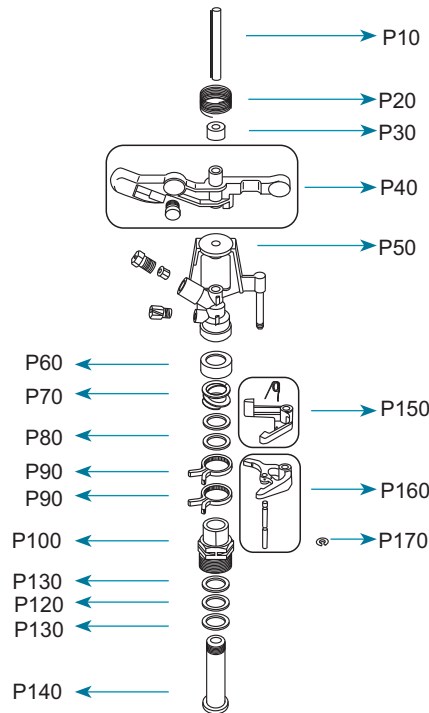


VYRSA SPRINKLERS

VYRSA 66

PART CIRCLE - SPACING 12m - 18m

3/4" (20mm)



CODE	PRICE
P10-66	R22.83
P20-66	R28.53
P30-66	R7.00
P40-66	R85.60
P50-66	R97.02
P60-66	R7.00
P70-66	R22.83
P80-66	R14.27
P90-66	R11.41
P100-66	R28.53
P120-66	R14.27
P130-66	R11.41
P140-36/46/56/66	R34.24
P150-66	R62.78
P160-66	R74.19
P170-66	R2.85

PERFORMANCE NOZZLE TABLE

Long Range Nozzle (long vane) + plug

NOZZLE	3.2mm 1/8"R		3.6mm 9/64"		4mm 5/32"		4.4mm 11/64"		4.8mm 3/16"		5.2mm 13/64"		5.6mm 7/32"	
	L/H	Ø m	L/H	Ø m	L/H	Ø m	L/H	Ø m	L/H	Ø m	L/H	Ø m	L/H	Ø m
2.5	620	26	790	26.5	1970	27.5	1160	29	1390	31	1640	31.5	1720	33
3.0	680	26	860	26.5	1050	28	1270	29.5	1510	32	1790	32.5	1880	34
3.5	740	26.5	930	27	1140	29.5	1380	31	1640	33	1930	33.5	2140	35
4.0	790	26.5	1000	28	1220	29.5	1470	32	1750	33.5	2060	34.5	2240	36
4.5	840	27	1060	29	1290	30	1550	32.5	1860	34	2180	35	2410	36.5

Long Range Nozzle (long vane) + short range nozzle

NOZZLE	3.2mm x 2.4mm 1/8"R x 3/32"		3.6mm x 2.4mm 9/64" x 3/32"		4mm x 2.4mm 5/32" x 3/32"		4.4mm x 2.4mm 11/64" x 3/32"		4.8mm x 3.2mm 3/16" x 1/8"SP		5.2mm x 3.2mm 13/64" x 1/8"SP		5.6mm x 3.2mm 7/32" x 1/8"SP	
	L/H	Ø m	L/H	Ø m	L/H	Ø m	L/H	Ø m	L/H	Ø m	L/H	Ø m	L/H	Ø m
2.5	980	26	1150	26.5	1320	27.5	1520	29	2050	31	2310	31.5	2460	33
3	1070	26	1250	26.5	1450	28	1670	29.5	2240	32	2520	32.5	2730	34
3.5	1160	26.5	1350	27	1560	29.5	1800	31	2420	33	2720	33.5	2915	35
4	1240	26.5	1450	28	1670	29.5	1920	32	2590	33.5	2910	34.5	3035	36
4.5	1320	27	1540	29	1770	30	2030	32.5	2750	34	3070	35	3170	36.5

Not recommended for best distribution Indicates standard nozzle size

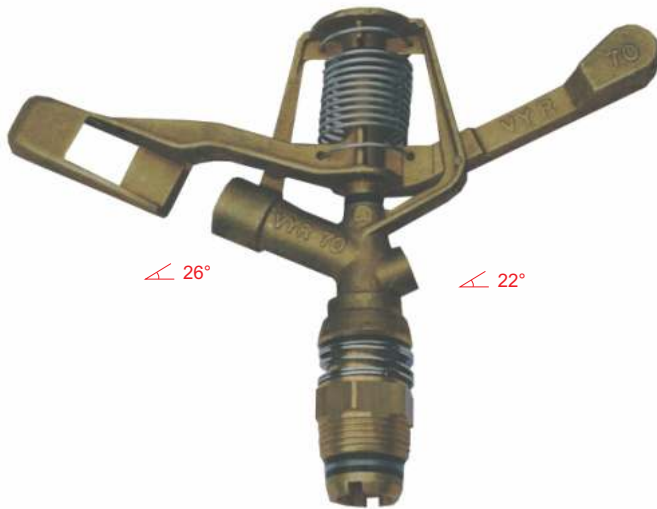
(Sprinkler at 1 meter height)

- When nozzles are ordered with sprinklers they will be supplied with standard nozzles unless otherwise specified.
- These results has been obtained at indoor laboratory with 0m/sec wind velocity. Outdoor results may change range distance.

VYRSA 70

3/4" (20mm)

FULL CIRCLE - SPACING 12m - 24m



DIMENSIONS

Height : 15 cm.
 Width : 20 cm.
 Weight : 548 g.
 Units per box : 50

GENERAL PROPERTIES:

- Medium flow agricultural impact sprinkler.
- 3/4" male or female connection.
- Made of brass and stainless steel.
- High-resistance rotating joints.
- Nozzle angles of 26° and 22°
- Special design for long reach.
- Used in full coverage irrigation with medium-high flow.

TECHNICAL SPECIFICATIONS:

- Range distance: **13 - 18 m.**
- Flow: 660 - 3500 L/H.
- Working pressure: 1,75 - 4,5 BAR.
- Area: **Full circle.**
- Nozzles: Two nozzles: one main nozzle and a secondary deflector nozzle or plug.
- Trajectory angles: **26° and 22°**
- Maximum stream height: 4.3 m.
- Rotation time: Depending on the pressure and the nozzles, the rotation will be constant and continuous.

OPTION	CODE	PRICE
Without nozzle	VYR70	R467.47
With one nylon nozzle and nylon plug	VYR70-1	R473.81
With two nylon nozzles	VYR70-2	R477.47
With one brass nozzle and nylon plug	VYR70-3	R489.28
With two brass nozzles	VYR70-4	R508.41
Loose nozzles (Brass)	NZ <small>Size?</small> <small>Add "SP" for Spreader</small>	R20.47
Loose nozzles (Nylon)	PLNZ <small>Size?</small> <small>Add "SP" for Spreader</small>	R5.00
Nylon plugs	PLUG	R1.34
Brass plugs	NZBRASS-35	R20.47

Horticultural plantations, cereals, tubers, leguminous plants and fruit trees.

MANUFACTURED IN SPAIN
INCREASED ENERGY EFFICIENCY
HIGH COEFFICIENTS UNIFORMITY
WATER SAVING

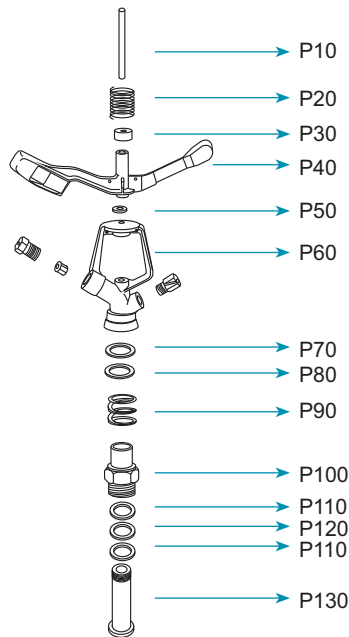


VYRSA SPRINKLERS

VYRSA 70

FULL CIRCLE - SPACING 12m - 24m

3/4" (20mm)



CODE	PRICE
P10-70	R31.39
P20-70	R28.53
P30-70	R11.41
P40-70	R251.10
P50-70	R6.00
P60-70	R256.81
P70-35/56/70	R28.53
P80-35/56/70	R19.97
P90-35/70	R31.39
P100-35/70	R136.96
P110/130-35/36/46/56/70	R11.41
P120-35/36/46/56/70	R14.27
P130-35/70	R119.84

TECHNICAL GUIDANCE TABLE

NOZZLE	Spacing (m) / Precipit. rate (mm/h)						
	BAR	15x15 T	18x18 T	18x21	18x21T	21x21T	21x24
4,4 x 2,4 mm 11/64" x 3/32"SP	3	5,5	4,7	4,4	3,6	3,7	
	3,5	5,4	5,1	3,9	3,9	4	
	4	5,8	5,4	4,2	4,2	4,3	
4,8 x 3,2 mm 3/16" x 1/8"SP	3	6,6	6,2	4,8	4,8	4,9	
	3,5	7,1	6,7	5,2	5,2	5,3	4,7
	4	10,4	7,2	5,6	5,6	5,7	5
5,6 x 3,2 mm 7/32" x 1/8"SP	3	10,4	7,2	6	6	6,2	5,4
	3,5	11	8,4	6,5	6,5	6,7	5,8
	4	13,6	9	7	7	7,1	6,2

T: Triang. CU < 85% CU 85-88% CU 88-92% CU > 92%

PERFORMANCE NOZZLE TABLE

Long Range Nozzle (long vane) + plug

NOZZLE	4 mm 5/32"		4,4 mm 11/64"		4,8 mm 3/16"		5,2 mm 13/64"	
	L/H	Ø m	L/H	Ø m	L/H	Ø m	L/H	Ø m
2,5	970	30,2	1160	31	1390	31,8	1640	32,6
3	1050	30,6	1270	31,8	1510	32,8	1790	33,8
3,5	1140	31,2	1380	32,4	1640	33,6	1930	34,8
4	1220	31,6	1470	32,8	1750	34	2060	35,6
4,5	1290	32	1550	33,2	1860	34,4	2180	36
5	1360	32,4	1640	33,6	1960	35	2290	36,4

Long Range Nozzle (long vane) + short range nozzle

NOZZLE	4mm x 2.4mm 5/32" x 3/32"		4.4mm x 2.4mm 11/64" x 3/32"		4.8mm x 2.4mm 3/16" x 7/64"		4.8mm x 3.2mm 3/16" x 1/8"SP		5.2mm x 3.2mm 13/64" x 1/8"SP		5.6mm x 3.2mm 7/32" x 1/8"SP	
	L/H	Ø m	L/H	Ø m	L/H	Ø m	L/H	Ø m	L/H	Ø m	L/H	Ø m
2.5	1320	30	1520	30,6	1750	32,5	2050	32,5	2310	32,4	2460	33
3	1450	30,4	1670	31,6	1920	33	2240	33	2520	33,4	2730	34
3.5	1560	30,8	1800	32	2050	33,5	2420	33,5	2720	34,2	2915	35
4	1670	31,2	1920	32,4	2180	34	2590	34	2910	35	3035	36
4.5	1770	31,8	2030	33	2300	34,5	2750	34,5	3070	35,4	3170	36,5
5	1870	32,2	2140	33,4	2430	35	2880	35	3230	35,8	3300	37,5

(Sprinkler at 1 meter height)

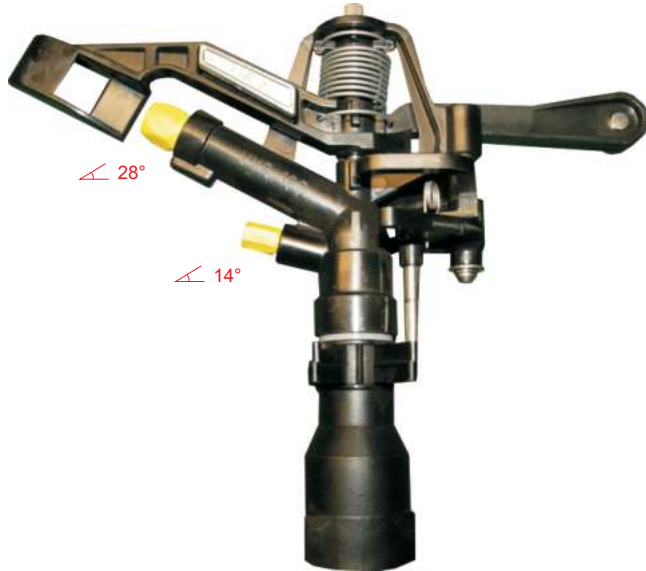
Not recommended for best distribution Indicates standard nozzle size

- When nozzles are ordered with sprinklers they will be supplied with standard nozzles unless otherwise specified.
 - These results has been obtained at indoor laboratory with 0m/sec wind velocity. Outdoor results may change range distance.

VYRSA 166

1" (25mm)

PART CIRCLE - SPACING UP TO 30m



DIMENSIONS

Height : 24 cm.
 Width : 25 cm.
 Weight : 430 g.
 Units per box : 15

GENERAL PROPERTIES:

- Part circle agricultural impact sprinkler, medium-high flow.
- 1" female connection.
- Made of plastic and stainless steel.
- High-resistance rotating joints.
- Part circle mechanical system using clips that are very easy and quick to adjust.
- Used in full coverage irrigation with medium-high flow to cover the side and corner areas.

TECHNICAL SPECIFICATIONS:

- Reach: **16 - 24 m.**
- Flow: 1300 - 5420 L/H.
- Working pressure: 3 - 5 BAR.
- Area: **Part or full circle.**
- Nozzles: One main long reach nozzle and a secondary short reach nozzle.
- Trajectory angles: **28° and 14°**
- Maximum stream height: 5.5 m.
- Rotation time: Depending on the pressure and the nozzles, the rotation will be constant and continuous.

OPTION	CODE	PRICE
Without nozzle	VYR166	R487.00
With two nylon nozzles	VYR166-2	R498.40
With two brass nozzles	VYR166-3	R639.00
Loose nozzles (Brass)	NZ Size? -86	R76.00
Brass spreader	NZ1/8SP	R76.00
Loose nozzles (Nylon)	PL86NZ Size?	R5.70
Nylon spreader	PLNZ1/8SP	R5.70

Horticultural plantations, cereals, tubers, leguminous plants and fruit trees.

MANUFACTURED IN SPAIN
INCREASED ENERGY EFFICIENCY
HIGH COEFFICIENTS UNIFORMITY
WATER SAVING

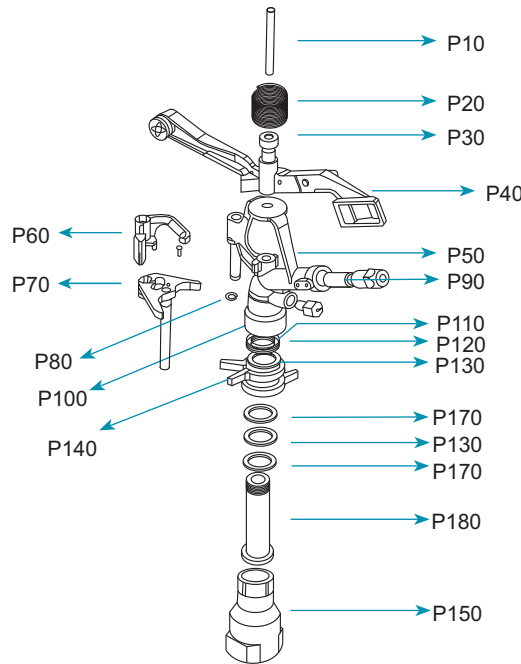


VYRSA SPRINKLERS

VYRSA 166

PART CIRCLE - SPACING UP TO 30m

1" (25mm)



CODE	PRICE
P10-166	R39.95
P20-166	R71.34
P30-166	R11.41
P40-166	R148.38
P50-166	R108.43
P60-166	R88.46
P70-166	R88.46
P80-166	R3.00
P90-166	R22.83
P100-166	R48.51
P110-166	R45.65
P120-166	R48.51
P130-166	R34.24
P140-166	R14.27
P150-166	R82.75
P170-166	R45.65
P180-166	R65.63

PERFORMANCE NOZZLE TABLE

Long Range Nozzle (long vane) + plug

NOZZLE	5,6mm 7/32"		6,4mm 1/4"		7,2mm 9/32"		8,8mm 11/32"	
	L/H	Ø m	L/H	Ø m	L/H	Ø m	L/H	Ø m
3	1960	35	2590	36	3240	38	5048	40
3,5	2140	35,5	2700	37	3470	38,5	5452	42
4	2310	36	2800	38	3760	39	5829	44
4,5	2460	37	2980	38,5	3970	39,5	6182	46
5	2580	38	3130	39	4150	40	6517	48

Long Range Nozzle (long vane) + short range nozzle

NOZZLE	5,6mm x 3,2mm 7/32" x 1/8"SP		6,4mm x 3,2mm 1/4" x 1/8"SP		7,2mm x 3,2mm 9/32" x 1/8"SP		8,8mm x 3,2mm 11/32" x 1/8"SP	
	L/H	Ø m	L/H	Ø m	L/H	Ø m	L/H	Ø m
3	2550	35	3150	36	3790	38	4250	38,5
3,5	2710	35,5	3400	37	4130	38,5	4640	39
4	2930	36	3700	38	4420	39	5000	39,5
4,5	3140	37	3950	38,5	4670	39,5	5150	40
5	3320	38	4150	39	4910	40	5420	40,5

Not recommended for best distribution Indicates standard nozzle size

- When nozzles are ordered with sprinklers they will be supplied with standard nozzles unless otherwise specified.
- These results has been obtained at indoor laboratory with 0m/sec wind velocity. Outdoor results may change range distance.

VYRSA 86

1" (25mm)

FULL CIRCLE - SPACING UP TO 30m



GENERAL PROPERTIES:

- Agricultural impact sprinkler with medium-high flow.
- 1" female connection.
- Made of plastic and stainless steel.
- High-resistance rotating joints.
- Special design for long reach.
- Used in full coverage irrigation with medium-high flow.

TECHNICAL SPECIFICATIONS:

- Range distance: **13,5 - 27 m.**
- Flow: 2000 - 9900 L/H.
- Working pressure: 2,75 - 6 BAR.
- Area: **Full circle.**
- Nozzles: Two nozzles: one main nozzle and a secondary deflector nozzle.
- Trajectory angles: **26° and 26°**
- Maximum stream height: 5 m.
- Rotation time: Depending on the pressure and the nozzles, the rotation will be constant and continuous.

DIMENSIONS

Height : 20 cm.
 Width : 22 cm.
 Weight : 310 g.
 Units per box : 25

OPTION	CODE	PRICE
Without nozzle	VYR86	R306.70
With one nylon nozzle and nylon plug	VYR86-1	R318.13
With two nylon nozzles	VYR86-2	R318.13
With one brass nozzle and nylon plug	VYR86-3	R388.43
With two brass nozzles	VYR86-4	R458.73
Loose nozzles (Brass)	NZ Size? -86 Add "SP" for Spreader	R76.00
Loose nozzles (Nylon)	PL86NZ Size? Add "SP" for Spreader	R5.70
Nylon plugs	PL86NZPLUG	R5.70
Brass plugs	NZBRASS-86	R76.00

Horticultural plantations, cereals, tubers, leguminous plants and fruit trees.

MANUFACTURED IN SPAIN
INCREASED ENERGY EFFICIENCY
HIGH COEFFICIENTS UNIFORMITY
WATER SAVING

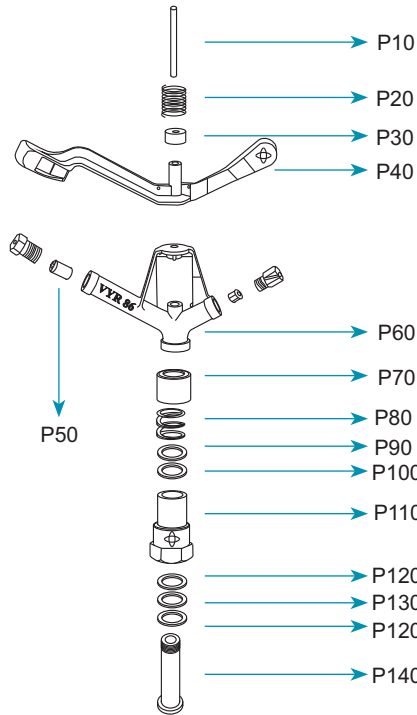


VYRSA SPRINKLERS

VYRSA 86

FULL CIRCLE - SPACING UP TO 30m

1" (25mm)



CODE	PRICE
P10-86	R39.95
P20-86	R28.53
P30-86	R11.41
P40-86	R174.06
P50-86	R22.83
P60-86	R116.99
P70-86	R48.51
P80-86	R45.65
P90-86	R48.51
P100-86	R34.24
P110-86	R68.48
P120-86	R45.65
P130-86	R34.24
P140-86	R51.36

TECHNICAL GUIDANCE TABLE

NOZZLE	Spacing (m) / Precipit. rate (mm/h)						
	BAR	18x21	21x21 T	21x24 T	24x24 T	24x27	28x27
5,6mm x 4,4mm 7/32" x 11/64" SP	4	10,5	10,4	9,1	8	6,1	5,5
	4,5	11,2	11,1	9,7	8,5	6,5	5,8
6,4mm x 4,8mm 1/4" x 3/16" SP	4	13,3	13,1	11,5	10,1	7,7	6,9
	4,5	14,1	13,9	12,2	10,7	8,2	7,3
7,2mm x 4,8mm 9/32" x 3/16" SP	4	15,4	15,3	13,4	11,7	9	8
	4,5	16,4	16,2	14,2	12,4	9,5	8,5
	5	17,3	17,1	14,9	13,1	10,1	8,9

T: Triang. CU < 85% CU 85-88% CU 88-92% CU > 92%

PERFORMANCE NOZZLE TABLE

Long Range Nozzle (long vane) + plug

NOZZLE	5,6mm 7/32"		6,4mm 1/4"		7,2mm 9/32"		8,0mm 5/16"		8,8mm 11/32"		9,6mm 3/8"	
	L/H	Ø m	L/H	Ø m	L/H	Ø m	L/H	Ø m	L/H	Ø m	L/H	Ø m
3	2040	36	2671	37	3377	40	4265	40	5048	40	6003	42
3,5	2204	36	2885	38	3647	40	4499	41	5452	42	6484	42
4	2356	36	3084	40	3899	42	4809	42	5829	44	6931	44
4,5	2499	38	3271	42	4135	42	5101	44	6182	46	7352	46
5	2634	38	3448	42	4359	42	5377	44	6517	48	7750	48
5,5	2762	39	3616	43	4572	43	5640	45	6835	49	8128	49

Long Range Nozzle (long vane) + short range nozzle

NOZZLE	5,6mm x 4,4mm 7/32" x 11/64" SP		6,4mm x 4,4mm 1/4" x 11/64" SP		6,4mm x 4,8mm 1/4" x 3/16" SP		7,2mm x 4,8mm 9/32" x 3/16" SP		7,2mm x 5,6mm 9/32" x 7/32" SP		8,8mm x 5,6mm 11/32" x 7/32" SP	
	L/H	Ø m	L/H	Ø m	L/H	Ø m	L/H	Ø m	L/H	Ø m	L/H	Ø m
3	3450	36	4081	37	4349	37	5055	40	5621	40	7292	40
3,5	3727	36	4408	38	4697	38	5459	40	6071	40	7876	42
4	3985	36	4713	40	5022	40	5837	42	6490	42	8420	44
4,5	4226	38	4998	42	5326	42	6190	42	6883	42	8930	46
5	4454	38	5268	42	5615	42	6526	42	7256	42	9414	48
5,5	4671	39	5525	43	5888	43	6844	43	7610	43	9873	49

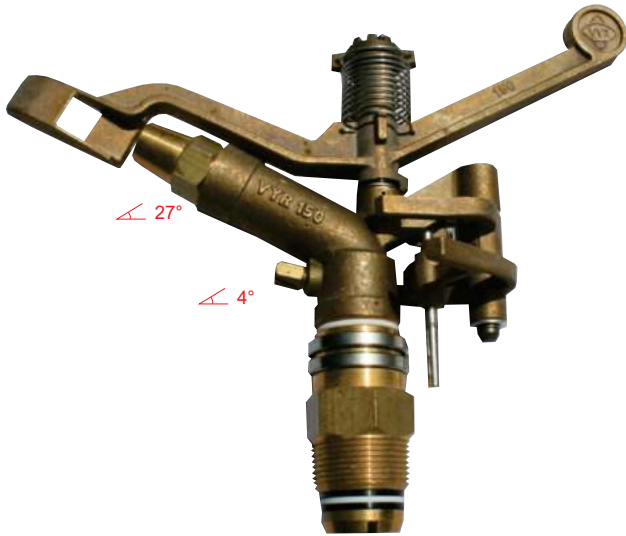
Not recommended for best distribution Indicates standard nozzle size

- When nozzles are ordered with sprinklers they will be supplied with standard nozzles unless otherwise specified.
 - These results has been obtained at indoor laboratory with 0m/sec wind velocity. Outdoor results may change range distance.

VYRSA 150

1 1/4" (32mm)

PART CIRCLE



“Standard nozzle sizes is 13mm and NZ1/8SP (3.2mm)”.

DIMENSIONS

Height : 30 cm.
 Width : 36 cm.
 Weight : 2430 gr.
 Units per box : 5

GENERAL PROPERTIES:

- Part circle agricultural impact sprinkler, high flow.
- 1 1/4" male connection.
- Made of brass and stainless steel.
- High-resistance rotating joints.
- Part circle mechanical system using clips that are very easy and quick to adjust.
- Used in full coverage irrigation with high flow to cover the side, corner and pivot point areas.
- Adjustable spring tension.

TECHNICAL SPECIFICATIONS:

- Reach: 25 - 37 m.
- Flow: 6200 - 28000 L/H.
- Working pressure: 4 - 7 BAR.
- Area: **Part or full circle.**
- Nozzles: One main long reach nozzle and a secondary short reach nozzle.
- Trajectory angles: **27° and 4°**
- Maximum stream height: 5,5 m.
- Rotation time: Depending on the pressure and the nozzles, the rotation will be constant and continuous.

OPTION	CODE	PRICE
With two brass nozzles	VYR150	R3 223.64
Loose range nozzles (Brass)	NZ Size? MM(150)	R196.32
Loose spreader nozzles (Brass)	NZ1/8SP	R20.47

Horticultural plantations, cereals, tubers, leguminous plants and fruit trees.

MANUFACTURED IN SPAIN
INCREASED ENERGY EFFICIENCY
HIGH COEFFICIENTS UNIFORMITY
WATER SAVING

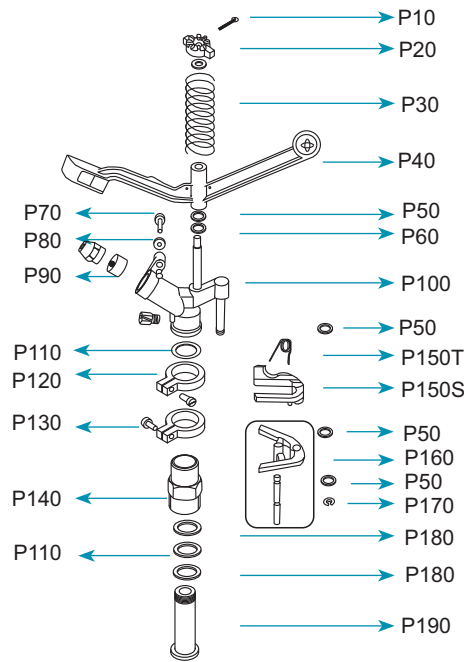


VYRSA SPRINKLERS

VYRSA 150

PART CIRCLE

1 1/4" (32mm)



CODE	PRICE
P10-150/155	R31.39
P20-150/155	R519.32
P30-150/155	R74.19
P40-150	R1 281.19
P50-150/155	R11.41
P60-150/155	R19.97
P70-150	R22.83
P80-150	R22.83
P90-150	R22.83
P100-150	R1 906.09
P110-150	R39.95
P120-150	R68.48
P130-150	R562.13
P140-150	R325.29
P150T-150	R18.26
P150S-150	R224.28
P160-150	R353.82
P170-150	R33.00
P180-150	R48.51
P190-150	R519.32

PERFORMANCE NOZZLE TABLE

Long Range Nozzle (long vane) + short range nozzle

NOZZLE	9mm x 3,2mm 11/32" x 1/8"SP		10mm x 3,2mm 13/32" x 1/8"SP		11mm x 3,2mm 7/16" x 1/8"SP		13mm x 3,2mm 1/2" x 1/8"SP		14,5mm x 3,2mm 9/16" x 1/8"SP		16mm x 3,2mm 5/8" x 1/8"SP		
	BAR	L/H	Ø m	L/H	Ø m	L/H	Ø m	L/H	Ø m	L/H	Ø m	L/H	Ø m
4	6200	50	7700	52	9400	54	14300	58	16300	60	20200	62	
5	7000	52	8600	54	10600	56	16200	62	18300	64	23200	66	
6	7800	54	9500	56	11700	58	18200	68	20000	69	25800	72	
7	8500	56	10300	58	12600	60	19500	72	21500	73	28000	74	

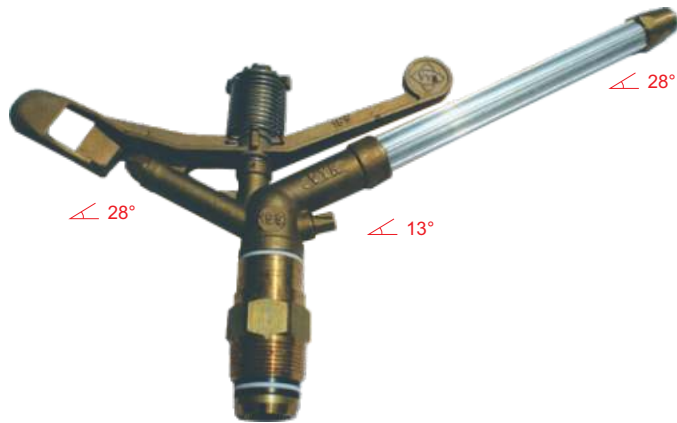
Not recommended for best distribution
 Indicates standard nozzle size

- Standard nozzles will be supplied with sprinklers . Please specify when different nozzles are required which will be additionally supplied.
 - These results has been obtained at indoor laboratory with 0m/sec wind velocity. Outdoor results may change range distance.

VYRSA 155

1 1/4" (32mm)

FULL CIRCLE



“Standard nozzle sizes is 13mm, NZ1/4 6,3 and NZ1/8SP (3.2mm)”.

DIMENSIONS

Height : 30 cm.
 Width : 48 cm.
 Weight : 1.672 Kg.
 Units per box : 10

GENERAL PROPERTIES

- Agricultural impact sprinkler with medium-high flow.
- 1 1/4" male connection.
- Made of brass and stainless steel.
- High-resistance rotating joints.
- Special design for long reach.
- Used in full coverage irrigation with medium-high flow.
- Mechanical system for adjusting the spring tension to vary the rotation speed depending on the pressure used.

TECHNICAL SPECIFICATIONS

- Range distance: **26 - 35 m** .
- Flow: 8.500 - 22.300 L/H .
- Working pressure: 4 - 8 BAR.
- Area: **Full circle**.
- Nozzles: A main nozzle for long reach, a second nozzle for medium reach and a third nozzle for short reach.
- Trajectory angles: **28°, 28° and 13°**
- Maximum stream height: 5,8 m.
- Rotation time: Adjustable. Depending on the pressure and the nozzles, the rotation will be constant and continuous.

OPTION	CODE	PRICE
With three brass nozzles	VYR155	R1 975.60
Loose range nozzles (Brass)	NZ Size? MM	R128.53
Loose secondary nozzles (Brass)	NZ1/4-86	R76.00
Loose spreader nozzles (Brass)	NZ1/8SP	R20.47

Used in all types of agricultural irrigations, generally with medium-high flow for coverage of wide areas.

**MANUFACTURED IN SPAIN
INCREASED ENERGY EFFICIENCY
HIGH COEFFICIENTS UNIFORMITY
WATER SAVING**

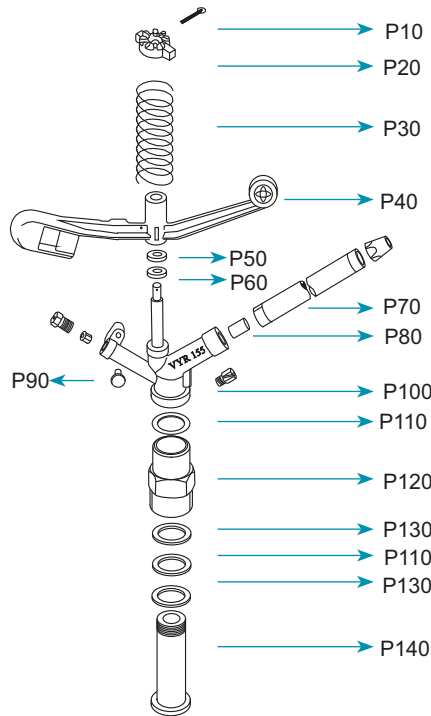


VYRSA SPRINKLERS

VYRSA 155

FULL CIRCLE

1 1/4" (32mm)



CODE	PRICE
P10-150/155	R31.39
P20-150/155	R519.32
P30-150/155	R74.19
P40-155	R810.37
P50-150/155	R11.41
P60-150/155	R19.97
P70-155	R253.95
P80-155	R31.39
P90-155	R31.39
P100-155	R1 038.65
P110-155	R39.95
P120-155	R562.13
P130-155	R45.65
P140-155	R519.32

TECHNICAL GUIDANCE TABLE

NOZZLE	Spacing (m) / Precipit. rate (mm/h)						
	BAR	24x24	24x24 T	26x26	26x26 T	28x28	28x28 T
8mm x 6,3mm x 3,2 mm 5/16" x 1/4" x 1/8"SP	4	10,3	9,6	6,9	6		
	5	12,7	11,4	9,6	8,5		
	6	14,9	13,5	11,4	10,2		
10mm x 6,3mm x 3,2 mm 13/32" x 1/4" x 1/8"SP	4	16,7	15,3	13,1	11,9	11,2	10,3
	5	19,8	18,3	16,2	14,8	14,7	13,6
	6	22,7	26	19,4	17,4	16,9	15,5
12mm x 6,3mm x 3,2 mm 15/32" x 1/4" x 1/8"SP	4	25,5	23,5	22,1	19,7	19,7	17,8
	5	27,8	25,8	24,1	21,6	20,3	18
	6	31,9	28,9	27,9	25,4	24,4	22
14,5mm x 6,3mm x 3,2 mm 9/16" x 1/4" x 1/8"SP	4	32,9	30,7	29,4	27	25	23,5
	5	35,1	32,9	31,8	27,6	26,2	24
	6	38,4	36	34,9	31,5	30,4	28,3
	7	41	38,1	37,5	34,2	33,1	30,9

T: Triang. CU < 85% CU 85-88% CU 88-92% CU > 92%

PERFORMANCE NOZZLE TABLE

Long Range Nozzle (long vane) + short range nozzle

NOZZLE	8mm x 6,3mm x 3,2mm 5/16" x 1/4" x 1/8"SP		9mm x 6,3 x 3,2mm 11/32" x 1/4" x 1/8"SP		10mm x 6,3mm x 3,2mm 13/32" x 1/4" x 1/8"SP		11mm x 6,3mm x 3,2mm 7/16" x 1/4" x 1/8"SP		12mm x 6,3mm x 3,2 mm 15/32" x 1/4" x 1/8"SP		13mm x 6,3mm x 3,2mm 1/2" x 1/4" x 1/8"SP		14mm x 6,3mm x 3,2mm 9/16" x 1/4" x 1/8"SP	
	BAR	L/H	Ø m	L/H	Ø m	L/H	Ø m	L/H	Ø m	L/H	Ø m	L/H	Ø m	L/H
4	8500	51	9600	52	11000	53	12000	56	13200	57	15000	59	17000	63
5	9500	53	10800	54	12300	55	13400	58	14900	60	17000	62	19100	65
6	10400	54	11700	55	13500	58	14700	61	16500	62	18800	64	20800	67
7	11200	56	12800	57	14600	60	16000	63	18000	64	20300	66	22300	69

Not recommended for best distribution Indicates standard nozzle size

- Standard nozzles will be supplied with sprinklers . Please specify when different nozzles are required which will be additionally supplied.
- These results has been obtained at indoor laboratory with 0m/sec wind velocity. Outdoor results may change range distance.

VYR-4000 ROTEC

Agricultural rotor sprinkler for low pressure & low flow irrigation with a 3/4" male connection.



Edge Guard

DIMENSIONS

Height : 9.5 cm.
 Width : 6.5 cm.
 Weight : 75g.
 Units per box : 50



GENERAL PROPERTIES

- Agricultural rotor sprinkler for low pressure/flow irrigation with silicone engine technology.
- Patented 2-speed motor selector.
- 3/4" male connection.
- Made of super-resistant plastic with UV treatments.
- Rotating joints of high strength.
- Angles of nozzles are 25° and 15° degrees.
- Special design for coverage irrigation at low pressures.
- Secondary plate deflector hole can be opened or plugged.

TECHNICAL SPECIFICATIONS

- Range: 8 to 12 m.
- Flow rate: 480 - 1500 L /H.
- Pressure: 2.0 to 3.0 BAR.
- Sector: Circular or 180° degrees with the deflector.
- Nozzles: A nozzle plate with one or two outputs.
- Trajectory angles: 25° and 15°
- Maximum height jet of 2.3 m.
- Rotation time: Depending on the pressure and nozzles is uniform and continuous.

ITEM	CODE	PRICE
Complete Sprinkler	VYR4000 <small>Full product code on next page</small>	R244.00
Edge Guard	VYR4000-EDGE	R65.00

MANUFACTURED IN SPAIN
INCREASED ENERGY EFFICIENCY
HIGH COEFFICIENTS UNIFORMITY
WATER SAVING



VYRSA SPRINKLERS

VYR-4000 ROTEC

TECHNICAL GUIDANCE TABLE

NOZZLE	Spacing (m) / Precipit. rate (mm/h)						
	BAR	10x12T	12x12	12x12T	12x15	12x15T	15x15T
3,6 mm 9/64"	2	4,6	3,3	3,8	2,7	3,1	2,5
	2,5	5,1	3,7	4,2	2,9	3,4	2,7
	3	5,5	4	4,6	3,2	3,7	2,9
4,0 mm 5/32"	2	6,7	4,8	5,6	3,9	4,5	3,6
	2,5	7,3	5,3	6,1	4,2	4,9	3,9
	3	7,8	5,6	6,5	4,5	5,2	4,2
4,4 mm 11/64"	2	9,4	6,8	7,8	5,4	6,3	5
	2,5	10,2	7,4	8,5	5,9	6,8	5,5
	3	10,8	7,8	9	6,2	7,2	5,8
4,8 mm 3/16"	2	11,5	8,3	9,6	6,7	7,7	6,2
	2,5	12,5	9	10,4	7,2	8,4	6,7
	3	14,4	10,4	12	8,3	9,6	7,7

PERFORMANCE NOZZLE TABLE

CODE	VYR4000-GREY	VYR4000-PINK	VYR4000-GREEN	VYR4000-BROWN				
MOTOR	1,8 - 3 BAR down	3 - 4,5 up	1,8 - 3 BAR down	3 - 4,5 up				
PLATE	 25° / 5mm	 25° / 5mm	 25° -15° / 5x2,8mm	 27°-15°/ 5 x 3,1mm				
NOZZLE	 3,6mm 9/64"	 4,0mm 5/32"	 4,4mm 11/64"	 4,8mm 3/16"				
BAR	L / H	Ø m	L / H	Ø m	L / H	Ø m	L / H	Ø m
2	528	22	696	22	978	22	1200	22
2,5	560	22	756	22	1062	22	1308	22
3	650	22	810	22	1122	22	1500	22

Not recommended for best distribution



Sprinkler will be supplied with Standard Nozzles as per above specifications.





IR – JUNIOR (NOT VYRSA)

PART CIRCLE

3.6mm NOZZLE - YELLOW ARM

4.0mm NOZZLE - GREEN ARM



CODE	SIZE	PRICE
IR-JUNIOR (Y)	3.6mm Nozzle	R106.00
IR-JUNIOR (G)	4.0mm Nozzle	R106.00

Pressure in BAR	NOZZLE SIZE mm			
	3.60		4.00	
	Lit/hr	Ømts	Lit/hr	Ømts
2.00	684.00	22.90	828.00	23.50
2.50	792.00	23.40	936.00	24.00
3.00	864.00	23.80	1044.00	24.50
3.50	900.00	24.30	1152.00	25.00



**EXCELLENCE THROUGH
EXPERIENCE**

UNLIMITED UNRIVALLED



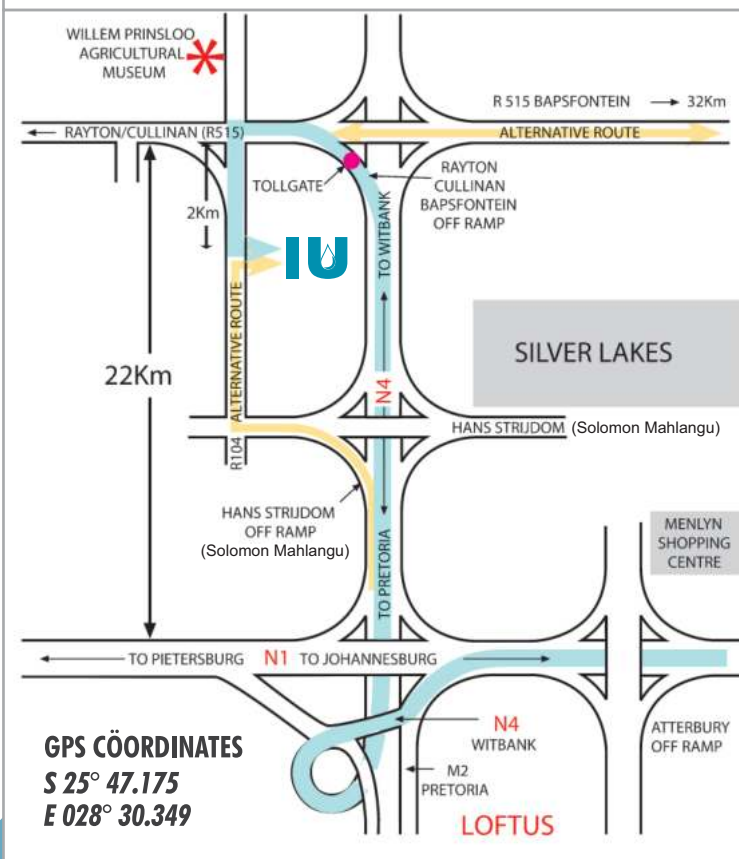
IRRIGATION UNLIMITED

OPERATING HOURS

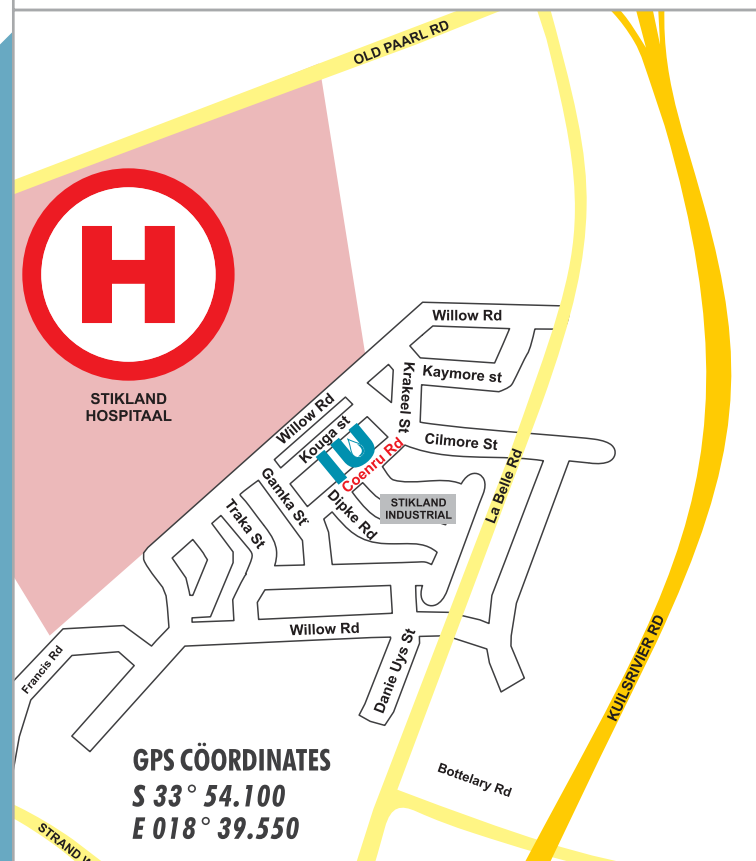
OFFICE : MON-FRI 7:30 - 16:30

STORES : MON-FRI 7:30 - 16:00

PRETORIA HEAD OFFICE



CAPE TOWN BRANCH



www.iunlimited.co.za

Pretoria Tel : 012 736 2121 / 2323 / 2526 / 2103

Cape Town Tel : 021 946 1194 / 4931 / 1803